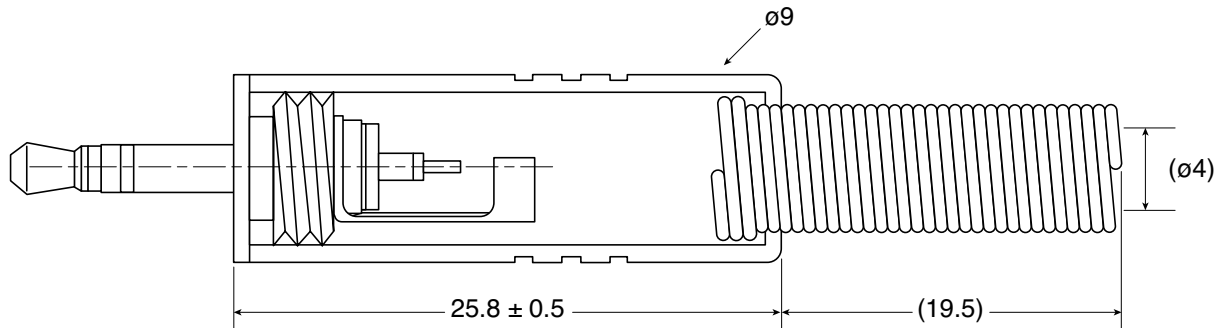
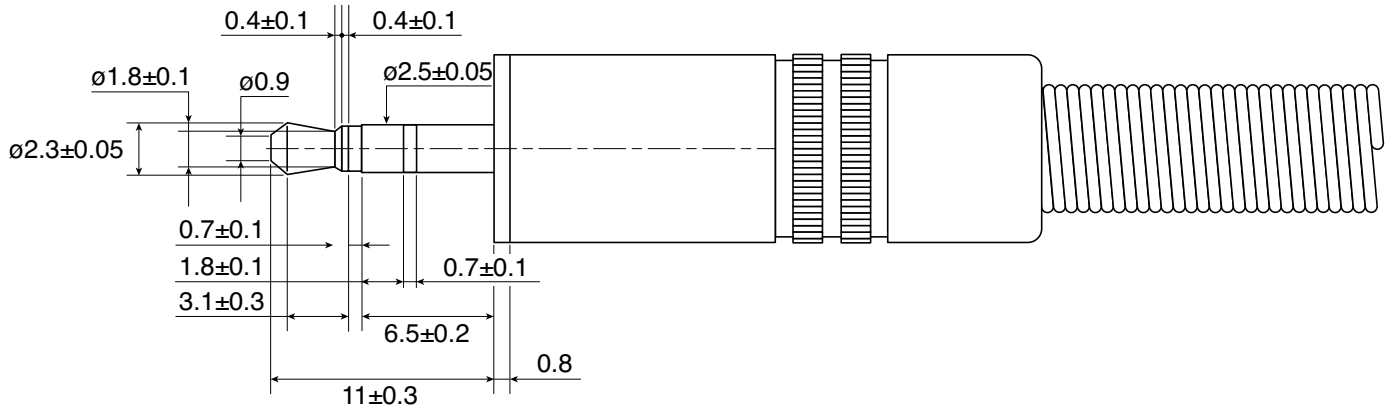


**DIMENSIONS: mm**



**Note:** RoHS Compliant by Exemption

**Available from Mouser Electronics**  
**1-800-346-6873 / [www.mouser.com](http://www.mouser.com)**

KC-301319

# Mouser Electronics

Authorized Distributor

Click to View Pricing, Inventory, Delivery & Lifecycle Information:

[Kobiconn:](#)

[171-PA2281-2-E](#)