

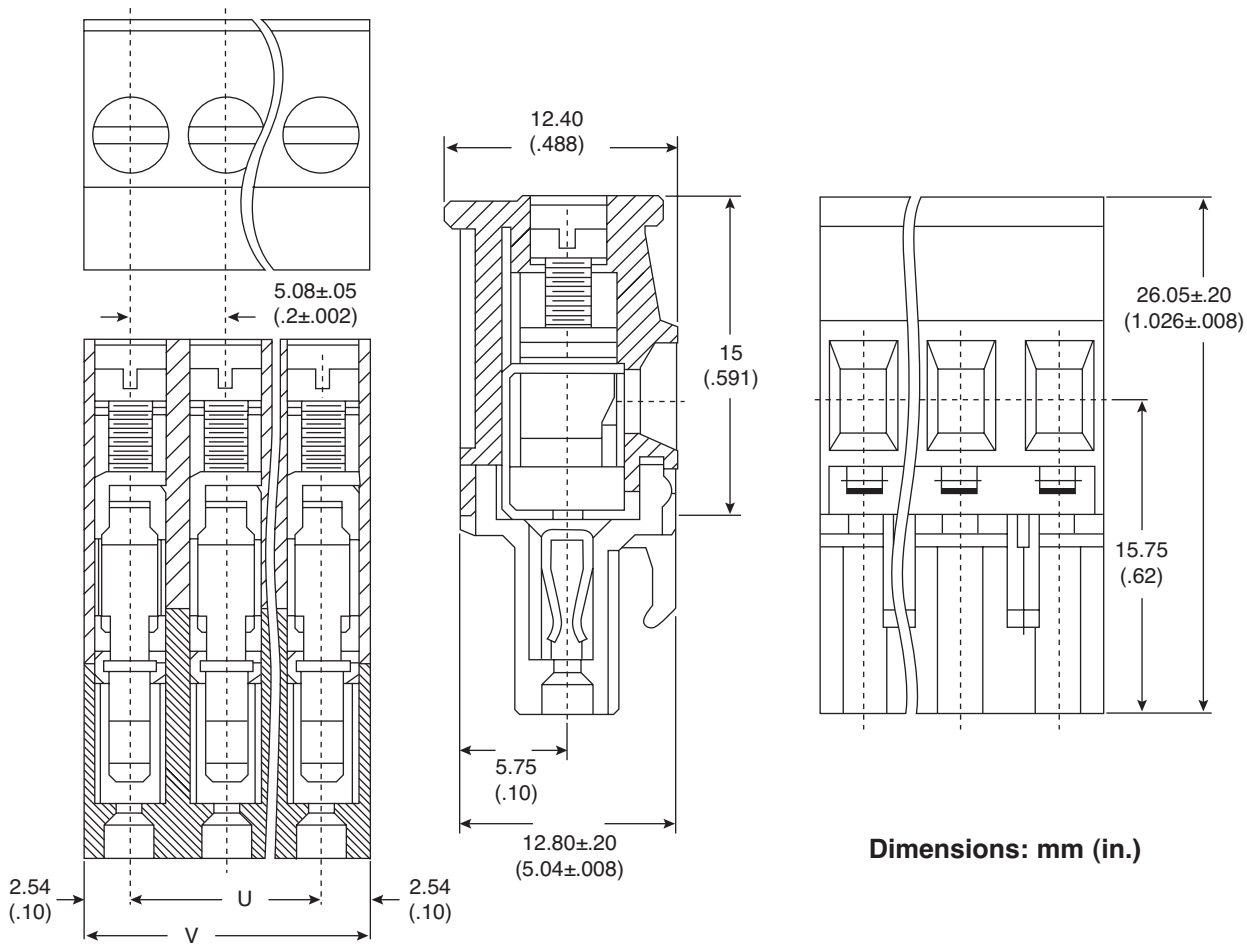
Terminal Block Plugs

KOBI **CONN**

158-P022ESDPP-E, 158-P032ESDPP-E, 158-P042ESDPP-E, 158-P052ESDPP-E,
158-P062ESDPP-E, 158-P072ESDPP-E, 158-P082ESDPP-E, 158-P092ESDPP-E,
158-P102ESDPP-E, 158-P112ESDPP-E, 158-P122ESDPP-E

Terminal Block Plugs

158-P022ESDPP-E, 158-P032ESDPP-E, 158-P042ESDPP-E, 158-P052ESDPP-E, 158-P062ESDPP-E, 158-P072ESDPP-E,
158-P082ESDPP-E, 158-P092ESDPP-E, 158-P102ESDPP-E, 158-P112ESDPP-E, 158-P122ESDPP-E



Dimensions: mm (in.)

P	02P	03P	04P	05P	06P	07P	08P	09P	10P	11P	12P
U mm	5.08	10.16	15.24	20.32	25.40	30.48	35.56	40.64	45.72	50.80	55.88
V mm	10.16	15.24	20.32	25.40	30.48	35.56	40.64	45.72	50.80	55.88	60.96

ELECTRICAL SPECIFICATIONS	
Rating:	300V 15A
Pitch:	5.08 mm
Insulation withstands voltage:	AC 2000V/Min
Insulation resistance:	500MΩ or more at DC500V
Temperature range:	-40°C~ +105°C
Screw torque value:	4kg-cm(MAX)
Electric Wire:	30~12 AWG

MATERIAL SPECIFICATIONS	
Base Housing:	PA66, green
Clamp:	bronze, solder plated
Screw:	steel, M2.5 zinc plated
Wire cage:	steel M2.5 zinc plated
Top Housing:	PA66, green
RoHS Compliant	

Date Last Revised: 4-13-07

Available from Mouser Electronics
1-800-346-6873 / www.mouser.com

KC- 301125

Specifications are subject to change without notice. No liability or warranty implied by this information. Environmental compliance based on producer documentation.

Mouser Electronics

Authorized Distributor

Click to View Pricing, Inventory, Delivery & Lifecycle Information:

[Kobiconn:](#)

[158-P102ESDPP-E](#) [158-P122ESDPP-E](#) [158-P112ESDPP-E](#) [158-P062ESDPP-E](#) [158-P022ESDPP-E](#) [158-P042ESDPP-E](#) [158-P082ESDPP-E](#) [158-P032ESDPP-E](#) [158-P072ESDPP-E](#) [158-P092ESDPP-E](#) [158-P052ESDPP-E](#)