




SMT Power Transformer

Matched to Linear Technology Chipset



-  DC/DC converter for use with Linear Technology LTC 1535 isolated RS485 transceiver
-  Compact and cost-effective industrial design: EP7 format
-  500Vrms isolation

Electrical Specifications @ 25°C - Operating Temperature -40°C to +125°C

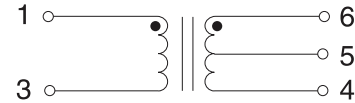
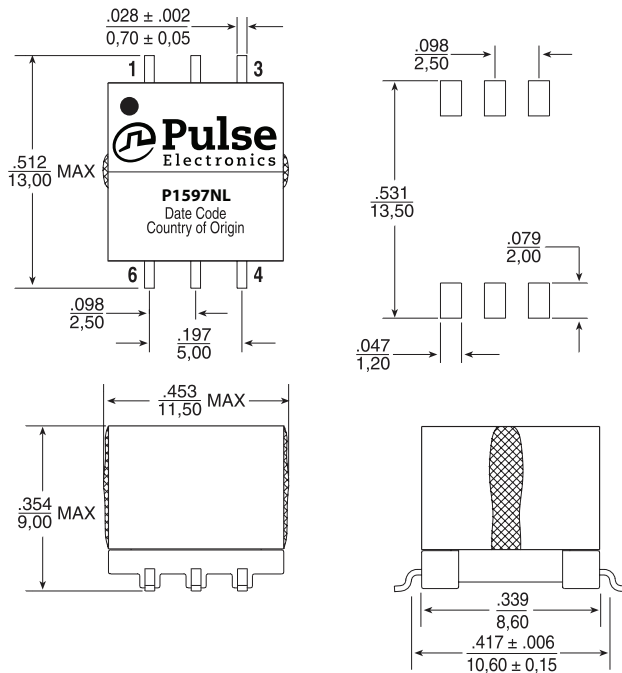
Part Number	Turns Ratio	OCL (@ 25°C) ($\mu\text{H} \pm 30\%$)	LL (@ 100kHz/100 mV) (μH MAX)	Isolation Voltage (Vrms)	Mounting
P1597NL	1:1.35:1.35	578	0.50	2000	SMT

Notes: Add suffix "T" to part number for Tape & Reel package (i.e. P1597NLT).

Mechanical

Schematic

P1597NL



Weight (TYP)2.6grams
Tape & Reel350/reel
Tube80/tube

Dimensions: $\frac{\text{Inches}}{\text{mm}}$

Unless otherwise specified, all tolerances are $\pm \frac{.004}{0.10}$

For More Information

Pulse Worldwide Headquarters
 12220 World Trade Drive
 San Diego, CA 92128
 U.S.A.

Tel: 858 674 8100
 Fax: 858 674 8262

Pulse Europe
 Einsteinstrasse 1
 D-71083 Herrenberg
 Germany

Tel: 49 7032 78060
 Fax: 49 7032 7806 135

Pulse China Headquarters
 B402, Shenzhen Academy of
 Aerospace Technology Bldg.
 10th Kejinan Road
 High-Tech Zone
 Nanshan District
 Shenzhen, PR China 518057
 Tel: 86 755 33966678
 Fax: 86 755 33966700

Pulse North China
 Room 2704/2705
 Super Ocean Finance Ctr.
 2067 Yan An Road West
 Shanghai 200336
 China
 Tel: 86 21 62787060
 Fax: 86 2162786973

Pulse South Asia
 135 Joo Seng Road
 #03-02
 PM Industrial Bldg.
 Singapore 368363
 Tel: 65 6287 8998
 Fax: 65 6287 8998

Pulse North Asia
 3F, No. 198
 Zhongyuan Road
 Zhongli City
 Taoyuan County 320
 Taiwan R. O. C.
 Tel: 886 3 4356768
 Fax: 886 3 4356823 (Pulse)
 Fax: 886 3 4356820 (FRE)

Performance warranty of products offered on this data sheet is limited to the parameters specified. Data is subject to change without notice. Other brand and product names mentioned herein may be trademarks or registered trademarks of their respective owners. © Copyright, 2015. Pulse Electronics, Inc. All rights reserved.

Mouser Electronics

Authorized Distributor

Click to View Pricing, Inventory, Delivery & Lifecycle Information:

Pulse:

[P1597NL](#) [P1597NLT](#)