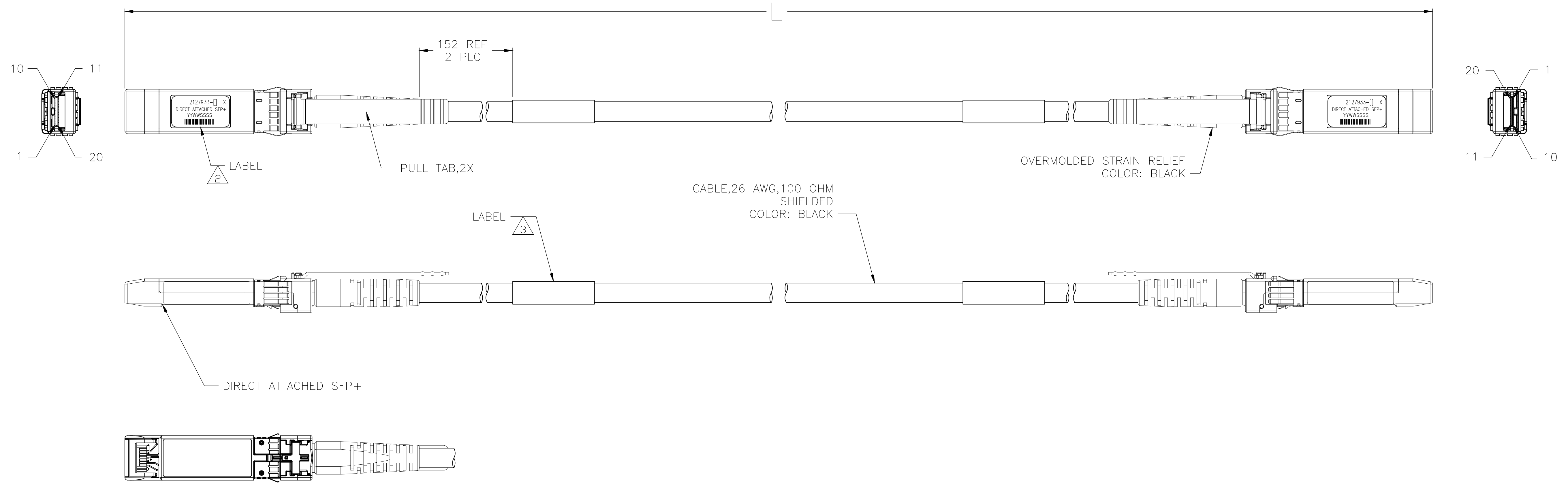
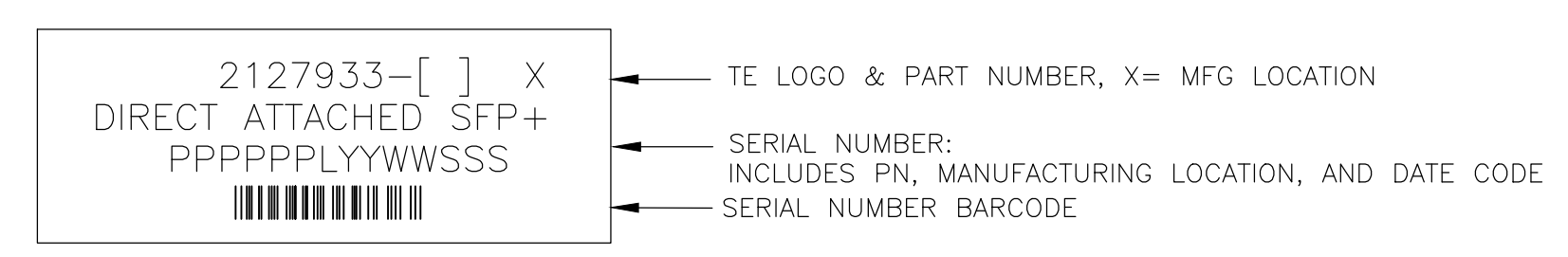


REVISIONS					
P	LTR	DESCRIPTION	DATE	OWN	APVD
D	REV PER ECO-20-005299		15APR2020	AK	GL

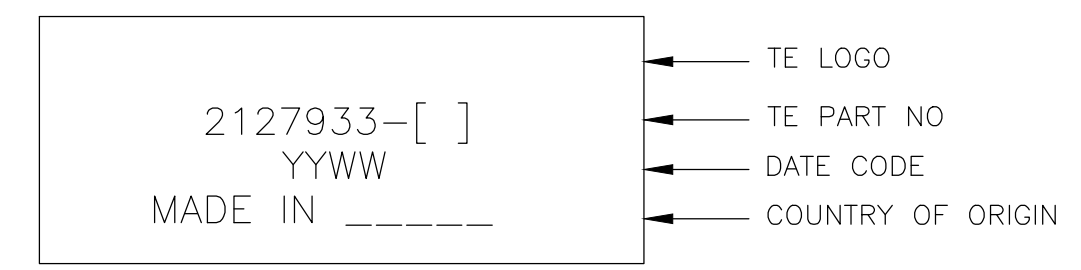


1. CHARACTERISTIC IMPEDANCE: 100±10 OHMS (MEASURED DIFFERENTIALLY).

2 LABEL INFORMATION:



3 LABEL INFORMATION:



4. SEE SHEET 2 FOR WIRING SCHEMATIC.

5. ROHS COMPLIANCE: PRODUCT AND PROCESSING MEETS REQUIREMENTS OF TYCO ELECTRONICS SPECIFICATION TEC-138-702.

6	+0.1 -0	METERS	2127933-7
5	+0.1 -0	METERS	2127933-6
4	+0.08 -0	METERS	2127933-5
3	+0.08 -0	METERS	2127933-4
2	+0.08 -0	METERS	2127933-3
1	+0.05 -0	METERS	2127933-2
0.5	+0.05 -0	METERS	2127933-1
L			PART NO

THIS DRAWING IS A CONTROLLED DOCUMENT.

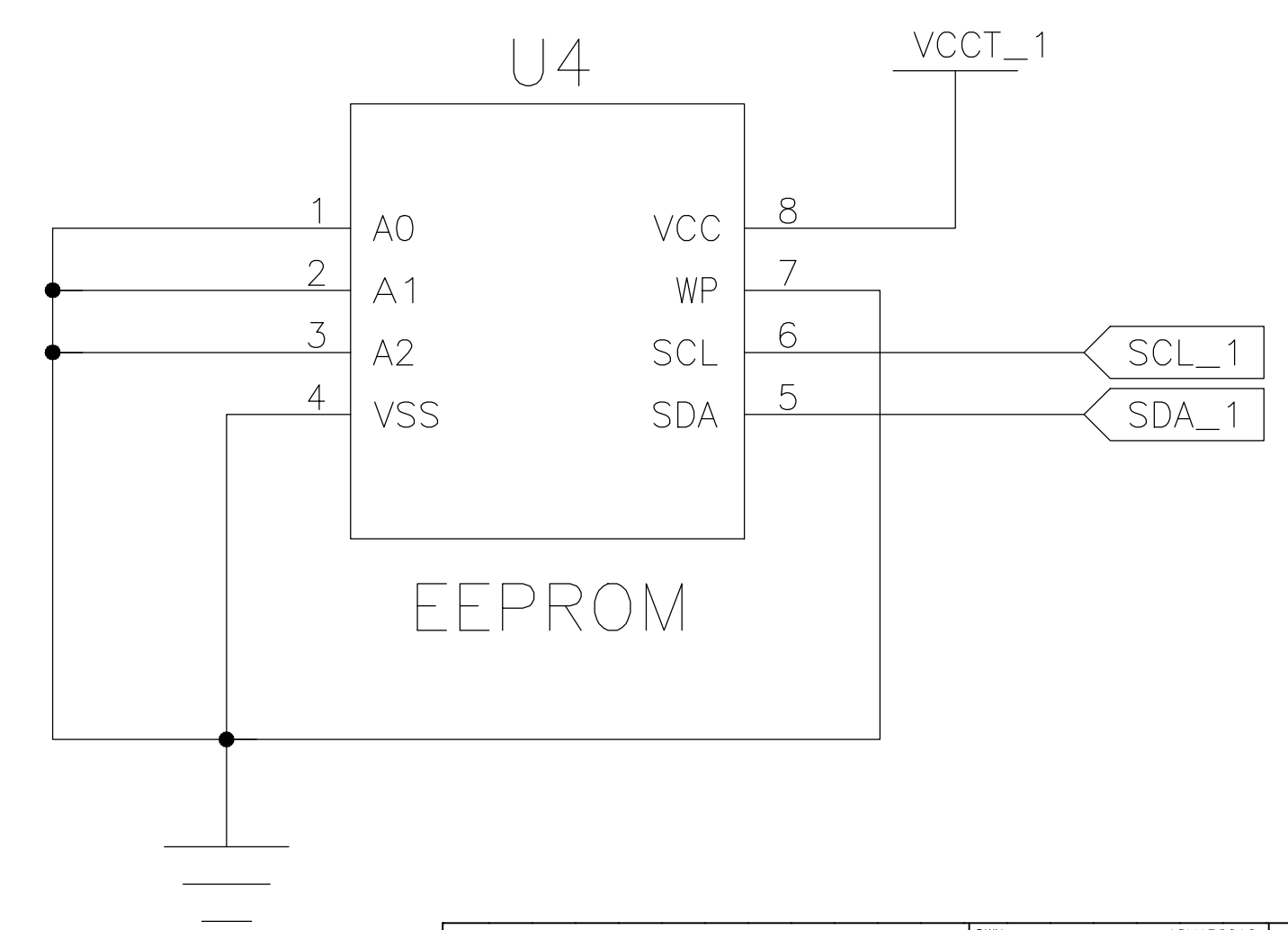
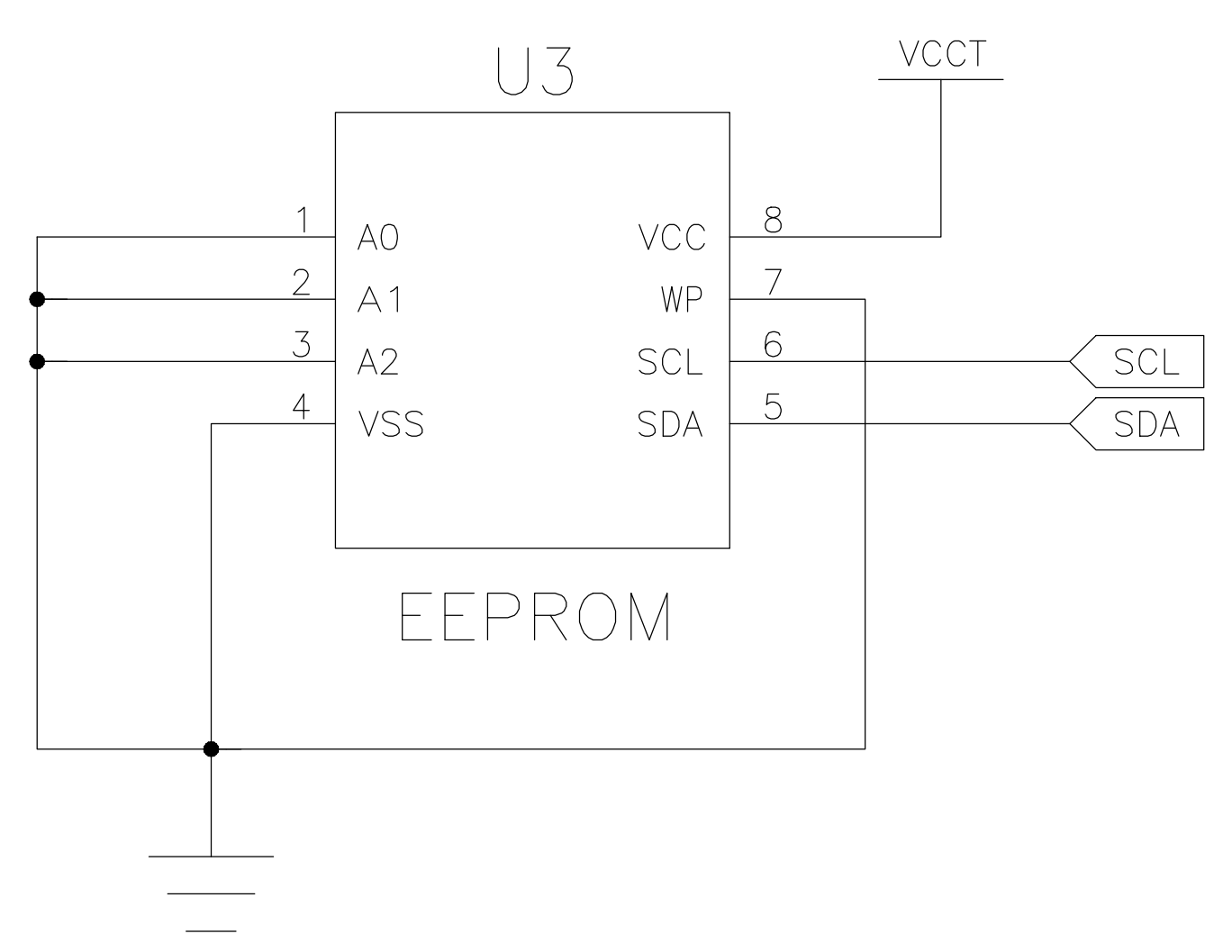
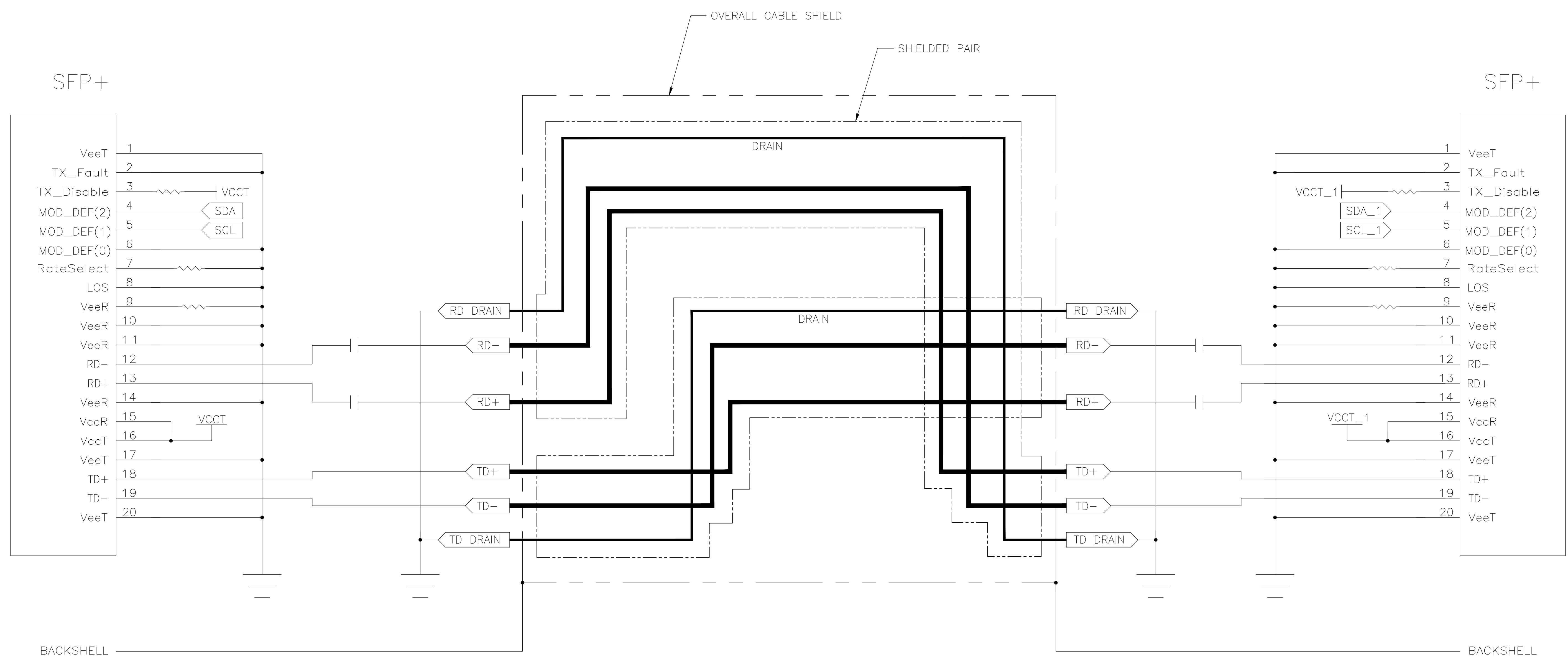
DIN	T. SMITH	18MAR2010
CHK	C. ADAMS	18MAR2010
APVD	C. ADAMS	18MAR2010

TE Connectivity Ltd.

DIMENSIONS:	TOLERANCES UNLESS OTHERWISE SPECIFIED:	NAME
mm	0. PLC ± -	CABLE ASSY, 26 AWG, SFP+ TO SFP+ NI_PLATED
	1. PLC ± -	PRODUCT SPEC
	2. PLC ± -	APPLICATION SPEC
	3. PLC ± -	SIZE
	4. PLC ± -	CAGE CODE
	ANGLES ± -	DRAWING NO
MATERIAL	FINISH	RESTRICTED TO
		A1 00779 C=2127933

CUSTOMER DRAWING SCALE 1:1 SHEET 1 OF 2 REV D

REVISIONS					
P	LTR	DESCRIPTION	DATE	DN	APVD
-	-	SEE SHEET 1	-	-	-



THIS DRAWING IS A CONTROLLED DOCUMENT.		DWN T. SMITH 18MAR2010 CHK C. ADAMS 18MAR2010 APVD C. ADAMS 18MAR2010 PRODUCT SPEC	<b>STE</b> TE Connectivity Ltd.	
DIMENSIONS: mm 	TOLERANCES UNLESS OTHERWISE SPECIFIED: 0. PLC ± - 1. PLC ± - 2. PLC ± - 3. PLC ± - 4. PLC ± - ANGLES ± -	NAME CABLE ASSY, 26 AWG, SFP+ TO SFP+ NI_PLATED	SIZE A1	CAGE CODE 00779
MATERIAL	FINISH	DRAWING NO 2127933 WEIGHT CUSTOMER DRAWING	SCALE 1:1	SHEET 2 OF 2