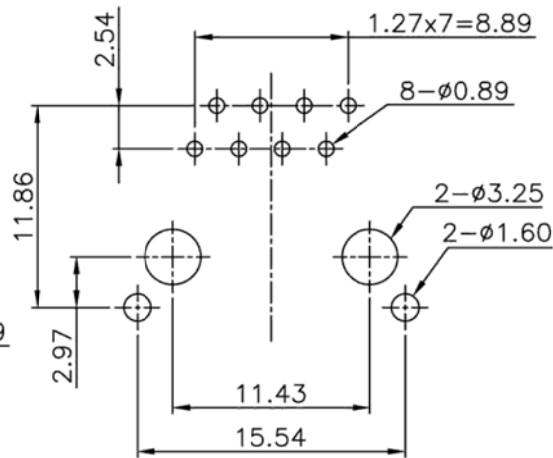
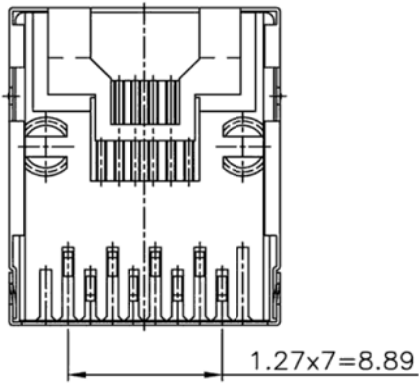
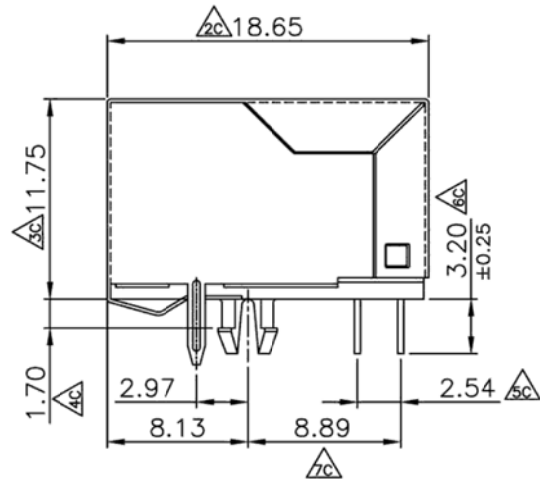
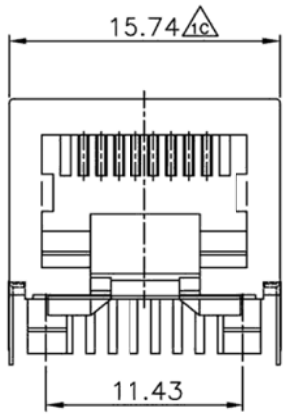


used for:



PCB LAYOUT/TOP VIEW

NOTES:

- MATERIAL:
- SHIELDED: 0.2mm THICKNESS COPPER ALLOY WITH NICKEL PLATED.
- HOUSING: PBT+30%GLASS-FIBER UL-94V-0 STANDARD COLOR (BLACK).
- INSERT: PBT+30%GLASS-FIBER UL-94V-0,COLOR BLACK.
- CONTACT: 0.30mm THICKNESS PHOSPHOR BRONZE,  
GOLD PLATING OVER NICKEL IN CONTACT AREA.
- TIN PLATING OVER NICKEL IN SOLDER AREA.
- Gold Plating: Selective Gold Plating.



THIS DRAWING MAY NOT BE COPIED OR REPRODUCED IN ANY WAY, AND MAY NOT BE PASSED ON TO A THIRD PARTY WITHOUT WRITTEN PERMISSION. OWNERSHIP AND COPYRIGHT OF CONEC CORPORATION. DO NOT ALTER CAD DRAWING BY HAND	CONEC CORPORATION Brampton, Ontario		tolerance unless otherwise specified Decimal: .xxx Angles: °	Dim. in mm	scale: material: SEE NOTES
	2005	date	name		title: Modular Jack 8P8C Side Entry Shielded Type
	draw.	Feb. 22	Vincent Ke		drawing no.: AutoCAD 2004
	appd.				DIN A3 sheet 1/1
	norm				part no.: C0502R05A
	d-old				33TS3004S-88B
rev.	description	date	name	CONEC®	

# Mouser Electronics

Authorized Distributor

Click to View Pricing, Inventory, Delivery & Lifecycle Information:

[CONEC:](#)

[33TS3004S-88B](#)