

# Safety connection terminal blocks

## Compression clamp

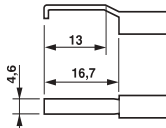
DIN 1 - 3

End stop	th. 9 mm	<b>BADL</b>	V0	<b>0199 408.02</b>
End stop	th. 9,1 mm	<b>BAM</b>	V0	<b>0199 306.01</b>
End stop	th. 9,1 mm	<b>BAM</b>	V2	<b>0103 002.26</b>
<i>Other end stops : See Accessories section</i>				
Rail	35 x 7,5 x 1	<b>PR30</b>	prepunched	<b>0173 220.05</b>
Rail	35 x 15 x 2,3	<b>PR4</b>		<b>0168 500.12</b>
Rail	35 x 15 x 1,5	<b>PR5</b>	prepunched	<b>0101 598.26</b>
Rail	32 x 15 x 1,5	<b>PR1Z2</b>		<b>0163 050.04</b>
<i>Other rails : See Accessories section</i>				
<i>Other accessories : See Accessories section</i>				

### Notes

Each screw-clamp holds 2 bent lugs, as above (not supplied), for connection of wires :

0,28 to 1,5 mm<sup>2</sup>  
1 to 2,5 mm<sup>2</sup>  
2,5 to 6 mm<sup>2</sup> (2)



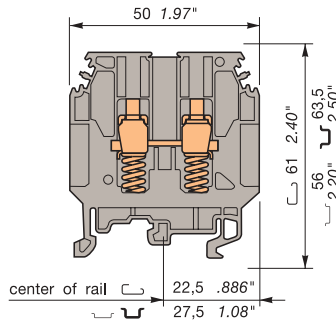
The use of some accessories may decrease the block's voltage rating. For more information, consult us.

### Accessories

	<b>1</b> End section	grey beige
	<b>2</b> Test socket	
	<b>3</b> Test plug	
	<b>4</b> Jumper bar not assembled	
	Screw + post + washer	
	Central socket for isolated interconnection +	
	Screw for central socket	
	<b>5</b> Assembled jumper bar (without IP20 protection)	
	<b>6</b> Assembled jumper bar (with IP20 protection)	
	<b>7</b> Protection label	
	<b>8</b> Screw for protection label	
	<b>9</b> IDC jumper	
	<b>10</b> Bridging plug	
	<b>R</b> See section on markers marking method	

## M 6/8.RS

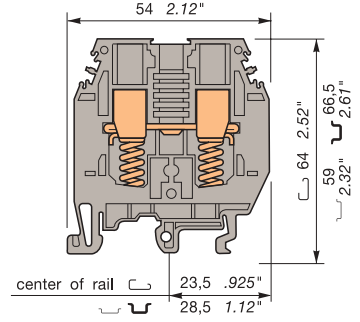
Spacing 8 mm -0,05 (.394")



Compression clamp terminal for bare wire or equipped with bent lug.

## M 10/10.RS

Spacing 10 mm -0,05 (.394")



Compression clamp terminal for bare wire or equipped with bent lug.

Color	Type	Part numbers	Color	Type	Part numbers
Grey (V2)	<b>M 6/8.RS</b>	<b>0115 685.12</b>	Grey (V2)	<b>M 10/10.RS</b>	<b>0115 320.27</b>
Beige (V0)	<b>M 6/8.RS V0</b>	<b>0195 685.13</b>	Beige (V0)	<b>M 10/10.RS V0</b>	<b>0195 320.20</b>

### Characteristics

Wire size	IEC		UL	CSA
	NFC	DIN		
Compression Solid wire	0,5-10 mm <sup>2</sup>		20-12 AWG	20-12 AWG
clamp Stranded wire	0,5-6 mm <sup>2</sup>		20-12 AWG	20-12 AWG
Lugs Stranded wire				

Voltage			
Rated	800 V	600 V	600 V
Pulse	8 kV		
Pollution degree	3		

Current			
Rated	41 A	25 A	25 A

Wire size			
Rated / Gauge	6 mm <sup>2</sup> / A5	12 AWG	12 AWG
Wire stripping length	Recomm. Screwdriver	Recomm. torque	Protection
13 mm	4-5 mm	0,8-1 Nm	IP 20
.51"	.157"-.197"	7.1-8.9 lb.in.	NEMA 1

### Characteristics

Wire size	IEC		UL	CSA
	NFC	DIN		
Compression Solid wire	0,5-10 mm <sup>2</sup>		20-6 AWG	20-6 AWG
clamp Stranded wire	0,5-6 mm <sup>2</sup>		20-6 AWG	20-6 AWG
Lugs Stranded wire				

Voltage			
Rated	1000 V	600 V	600 V
Pulse	8 kV		
Pollution degree	3		

Current			
Rated	41 A	65 A	65 A

Wire size			
Rated / Gauge	6 mm <sup>2</sup> / A5	6 AWG	6 AWG
Wire stripping length	Recomm. Screwdriver	Recomm. torque	Protection
14 mm	5,5-6 mm	1,2 - 1,4 Nm	IP 20
.55"	.217"-.236"	10,6 - 12,3 lb.in	NEMA 1

Type	Part numbers	Type	Part numbers
<b>FEMR8</b> V2 th. 2,8 mm	<b>0116 987.02</b>	<b>FEMR10</b> V2 th. 2,5 mm	<b>0114 434.05</b>
<b>FEMR8 V0</b> V0 th. 2,8 mm	<b>0196 987.03</b>	<b>FEMR10 V0</b> V0 th. 2,5 mm	<b>0194 434.06</b>
<b>AL4</b> DIA. 4,0 mm	<b>0179 762.16</b>	<b>AL4</b> DIA. 4,0 mm	<b>0168 237.05</b>
<b>FC4</b> DIA. 4,0 mm	<b>0167 860.01</b>	<b>FC4</b> DIA. 4,0 mm	<b>0167 860.01</b>
<b>BJS8</b> (1) 41 A 2 poles	<b>0164 581.13</b>	<b>BJS10</b> (1) 57 A 2 poles	<b>0164 585.17</b>
<b>BJS8</b> (1) 41 A 3 poles	<b>0164 582.14</b>	<b>BJS10</b> (1) 57 A 3 poles	<b>0164 586.10</b>
<b>BJS8</b> (1) 41 A 4 poles	<b>0164 583.15</b>	<b>BJS10</b> (1) 57 A 4 poles	<b>0164 587.11</b>
<b>BJS8</b> (1) 41 A 5 poles	<b>0164 737.26</b>	<b>BJS10</b> (1) 57 A 5 poles	<b>0168 273.11</b>
<b>BJS8</b> (1) 41 A 10 poles	<b>0164 584.16</b>	<b>BJS10</b> (1) 57 A 10 poles	<b>0164 588.22</b>
<b>BJS8</b> (1) 41 A 15 poles	<b>0174 788.04</b>	<b>BJS10</b> (1) 57 A 20 poles	<b>0177 654.00</b>
<b>BJS8</b> (1) 41 A 20 poles	<b>0174 789.05</b>		
<b>EV6</b>	<b>0168 604.16</b>	<b>PL101</b>	<b>0163 181.11</b>
<b>BJM8</b> (1) 41 A 2 poles	<b>0168 520.05</b>	<b>VSJ11</b>	<b>0163 394.26</b>
<b>BJM8</b> (1) 41 A 3 poles	<b>0168 521.22</b>		
<b>BJM8</b> (1) 41 A 4 poles	<b>0168 522.23</b>		
<b>BJM8</b> (1) 41 A 5 poles	<b>0168 523.24</b>		
<b>BJM8</b> (1) 41 A 10 poles	<b>0168 974.00</b>		
<b>BJMI8</b> (1) 41 A 2 poles	<b>0176 669.16</b>		
<b>BJMI8</b> (1) 41 A 3 poles	<b>0176 670.13</b>		
<b>BJMI8</b> (1) 41 A 4 poles	<b>0176 671.00</b>		
<b>BJMI8</b> (1) 41 A 5 poles	<b>0176 672.01</b>		
<b>BJMI8</b> (1) 41 A 10 poles	<b>0176 673.02</b>		
<b>EP6</b> 3 blocks	<b>0163 427.17</b>	<b>EP8</b> 3 blocks	<b>0163 428.20</b>
<b>EP8</b> 4 blocks	<b>0163 428.20</b>	<b>EP10</b> 4 blocks	<b>0163 429.21</b>
<b>VSP6</b>	<b>0163 433.15</b>	<b>VSP6</b>	<b>0163 433.15</b>
<b>AD 2,5 V2</b> 24 A	<b>0114 205.20</b>	<b>AD 2,5 V2</b> 24 A	<b>0114 205.20</b>
<b>BP8.A4</b>	<b>0173 888.20</b>		

(17) Sides of blocks (12) and RCT 810 top of blocks (11) (13) (17) (25)  
 Note : (1) Use of these accessories requires the user to cut out the partition.  
 (2) Only for M 10/10.RS