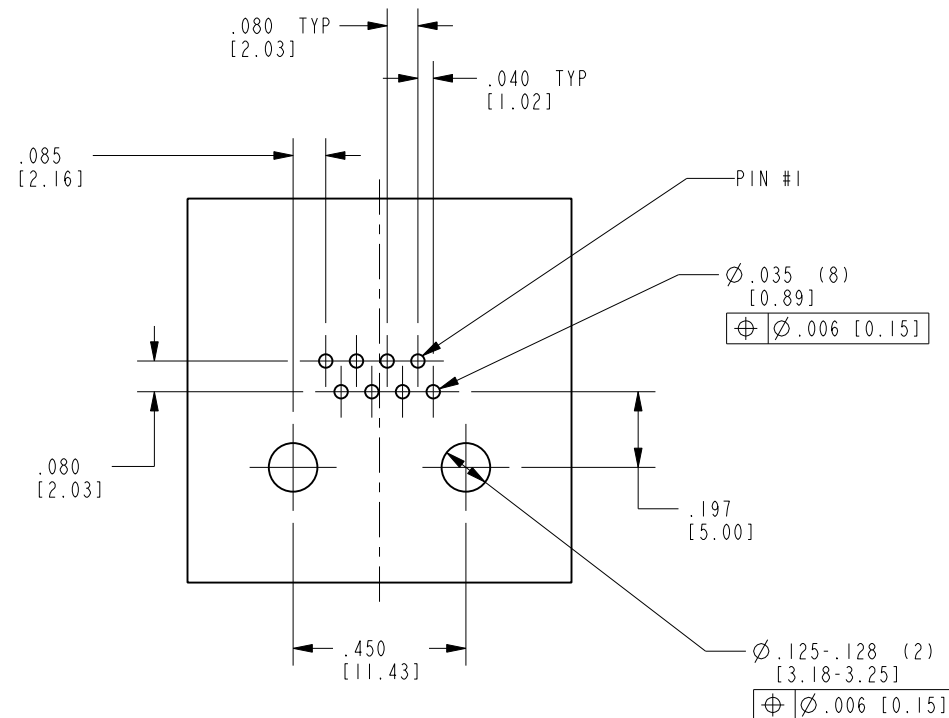
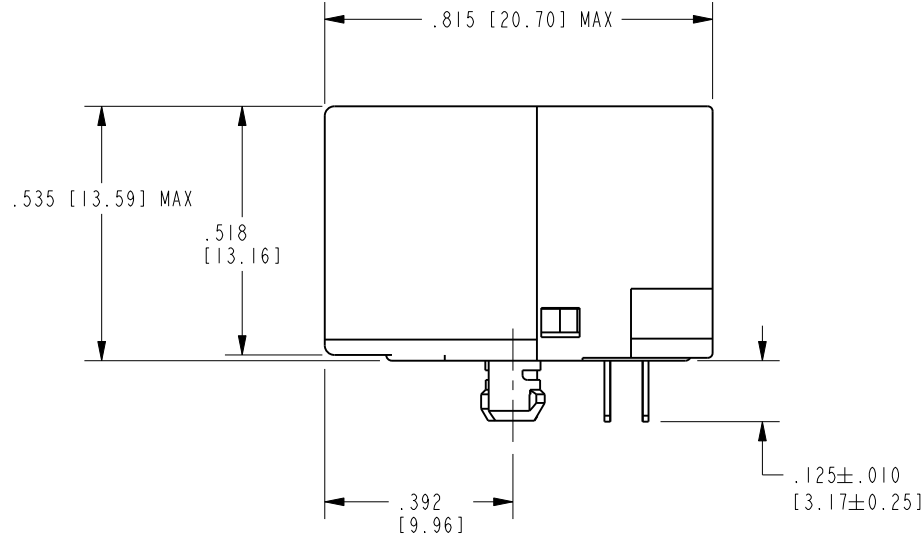
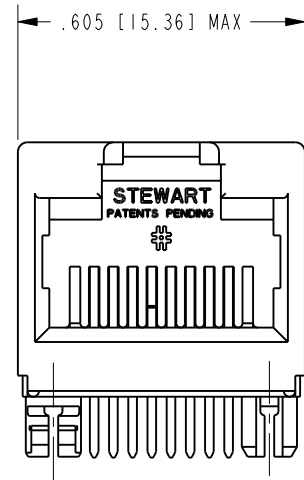


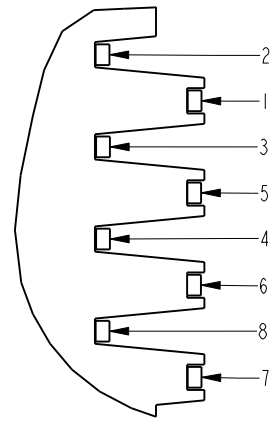
DATE	REV.	ECN	APP'D BY
2-17-15	D1	10260	ADB
2-9-16	D2	10531	TRM
7-10-19	D3	11411	JE



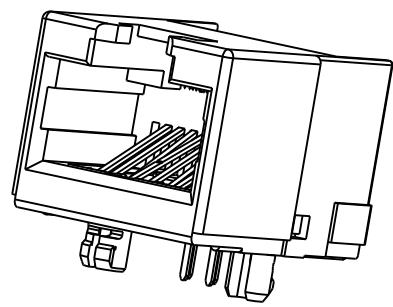
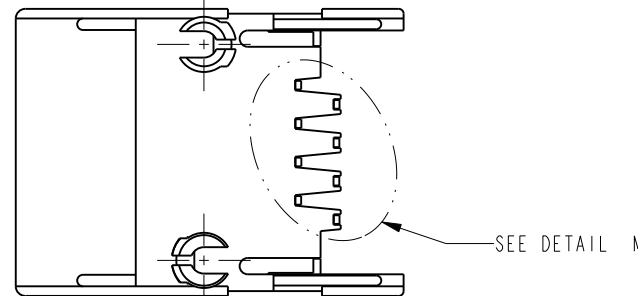
RECOMMENDED PCB HOLE LAYOUT  
SEEN FROM COMPONENT SIDE  
ALL CENTERLINE DIMENSIONS ARE BASIC

NOTES:

- MATERIALS:  
HOUSING -- THERMOPLASTIC UL 94-V0  
CONTACTS -- COPPER ALLOY  
CONTACT PLATING -- SELECTIVE PLATING IN CONTACT AREA  
SEE CHART FOR DETAILS
- PRODUCT DESIGNED FOR CAT6 APPLICATIONS
- DIMENSIONS AND TOLERANCES COMPLY WITH TIA-1096 STANDARD.



DETAIL M  
OUTPUT PIN DESIGNATIONS



50 MICRO-INCHES [1.27µm] Au OR 5 MICRO-INCHES [0.13µm] Au OVER 30 MICRO-INCHES [0.76µm] PdNi	SS-60000-010
CONTACT PLATING IN MATING AREA	PART NUMBER

THIRD ANGLE PROJECTION			11118 Susquehanna Trail South Glen Rock, PA 17327-9199 (717) 235-7512 <a href="http://www.stewartconnector.com">http://www.stewartconnector.com</a>
DO NOT SCALE DRAWING DRAWING IS SUBJECT TO CHANGE WITHOUT NOTICE			
DIMENSIONS: INCHES [METRIC]	60 SERIES UNSHIELDED RIGHT ANGLE JACK		
UNLESS OTHERWISE SPECIFIED TOLERANCES ARE ±.005 [0.13] ANGLES ARE ±1°	THIS DRAWING AND THE SUBJECT MATTER SHOWN THEREON ARE CONFIDENTIAL AND THE PROPRIETARY PROPERTY OF STEWART CONNECTOR AND SHALL NOT BE REPRODUCED, COPIED, OR USED IN ANY MANNER WITHOUT PRIOR WRITTEN CONSENT OF STEWART CONNECTOR. ONE OR MORE U.S. PATENTS MAY APPLY TO THIS PRODUCT. FOR DETAILS, PLEASE VISIT: <a href="http://BELFUSE.COM/STEWART/STEWART_PATENTS/">HTTP://BELFUSE.COM/STEWART/STEWART_PATENTS/</a>	DRN BY: JRC	DATE: 04-14-04
SHEET NO. 1 OF 1		APPD BY: RGC	DATE: 04-14-04
		DWG. NO. CT600025	REV. D3

B

B

A

A

# Mouser Electronics

Authorized Distributor

Click to View Pricing, Inventory, Delivery & Lifecycle Information:

Bel:

[SS-60000-010](#)