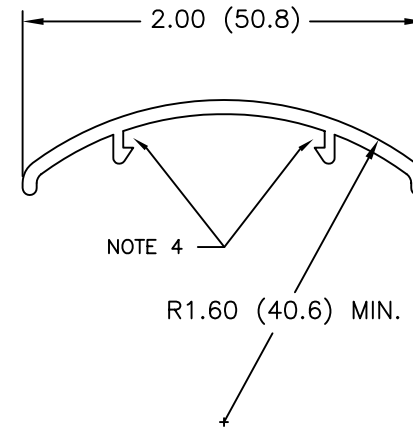
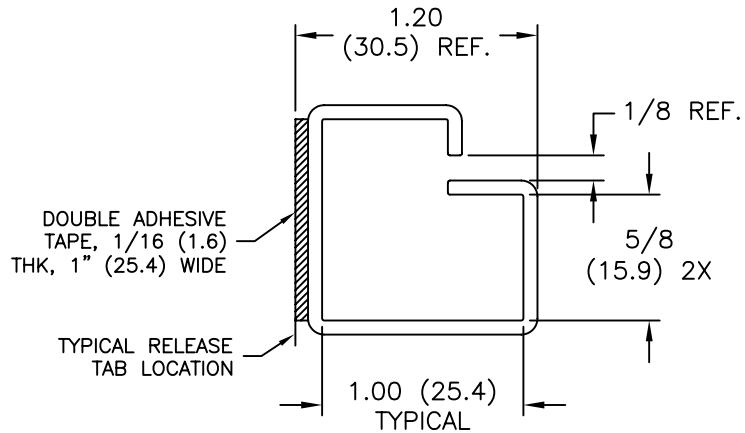
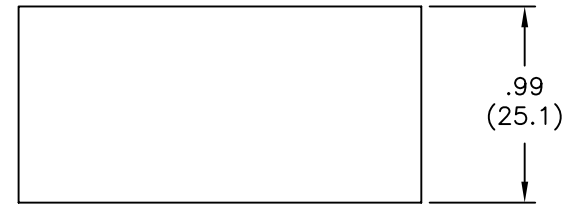
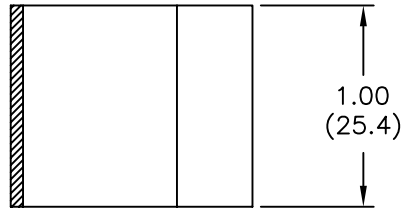


TYPICAL ASSEMBLY



OFCC-16-A-RT
OFCG-16

NOTES:

1. MATERIAL: RIGID PVC (RMS-04).
2. COLOR: BLACK.
3. TAPE: ACRYLIC ADHESIVE TAPE (RMS-15)
4. WALL THICKNESS: .070 TYP.
5. OFCG TO SNAP FIT OVER OFCC AS SHOWN IN TYPICAL ASSEMBLY

OFCC-16-A-RT

TITLE: OPTICAL FIBER COILING CLIP				DWG IN IN(MM)		FINAL			
TOLERANCES UNLESS NOTED .XX=±.020 .XXX=±.015 FRAC=±1/32 ANG=±1°		FILE # OFCC-OFCC	DWN: R.S.	APP:	PART #		PRINT TYPE		
RE: RICHCO, INC.		MAT'L: SEE NOTES	DT: 06-22-95	DT:	SEE DWG		CA		
		RICHCO INC. PO BOX 804238, CHICAGO, 60680 (773) 539-4060							

C	SEE ECN #1342 FOR CHANGES	SK 06.26.07
B	SEE ECN #1044	SK 08.25.05
A	CHANGED FILE NO.	SM 10.30.02
REV	DESCRIPTION	ENGR DATE

Mouser Electronics

Authorized Distributor

Click to View Pricing, Inventory, Delivery & Lifecycle Information:

Essentra:

[OFCC-16A-RT](#) [OFCC-16](#)