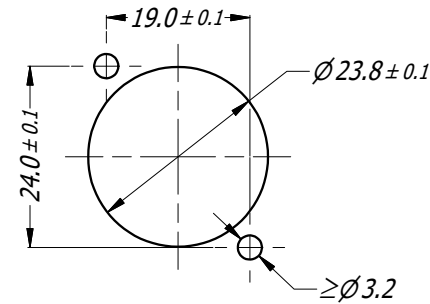


3D VIEW
1:1



PANEL CUTOUT

NOTES:
 - USE #4 OR M3 SCREW.
 - TIGHTEN TO 0.35 N-m (3.1 lb-in)

UNLESS OTHERWISE SPECIFIED TOLERANCE TO BE		THIS DOCUMENT IS THE PROPERTY OF AMPHENOL AUSTRALIA PTY. LTD. NO PART THEREOF MAY BE REPRODUCED AND USED WITHOUT THE PRIOR WRITTEN CONSENT OF THE OWNER.				Amphenol Amphenol Australia Pty.Ltd, 22 Industry Blvd Carrum Downs, VIC 3201	
LINEAR	ANGULAR	MATERIAL:	DRN: T.N	DATE: 26/07/19	TITLE:	PART No:	REV
X ± 0.5	X' ± 1		CKD: P.M	DATE: 26/07/19	PROTECTIVE CAP	HPT-CAPM	1
X.X ± 0.1	X.X' ± 30'	FINISH:	APP'D: P.M	DATE: 26/07/19	HPT SERIES MALE P/M	DRAWING No.	SHEET
X.XX ± 0.05	X.XX" ± 15'	DO NOT SCALE	SCALE: 1:1	SIZE: A4	BEADED CHAIN	55011249-000-4	3/4
DIMENSIONS IN MILLIMETRES		THIRD ANGLE PROJECTION		CB4.17.F1			

Mouser Electronics

Authorized Distributor

Click to View Pricing, Inventory, Delivery & Lifecycle Information:

[Amphenol:](#)

[HPT-CAPM](#)