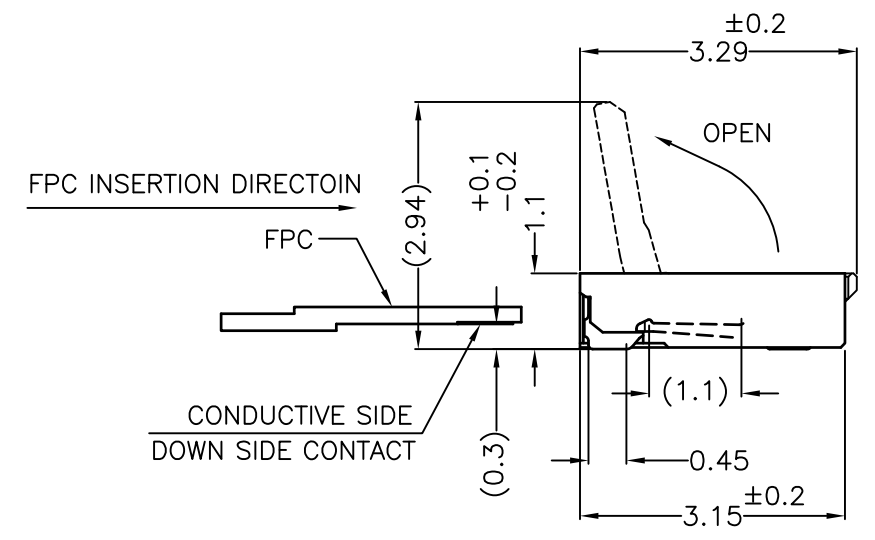
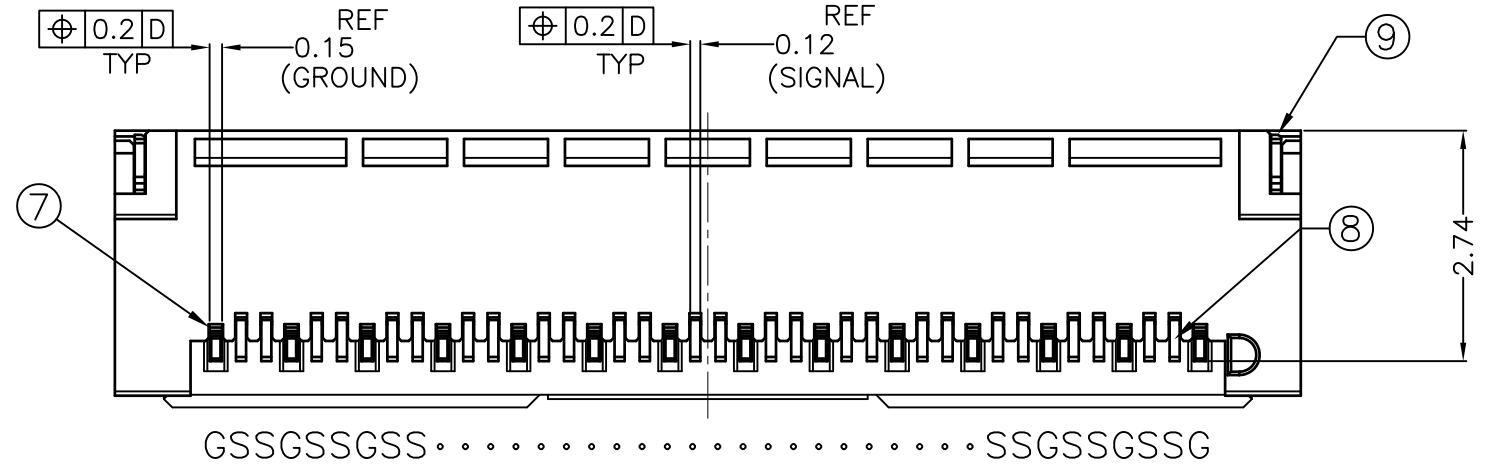
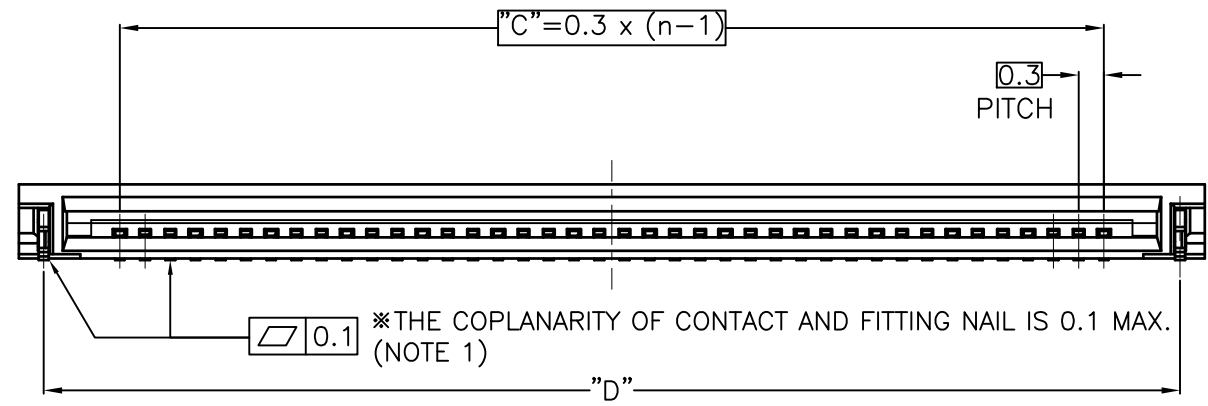
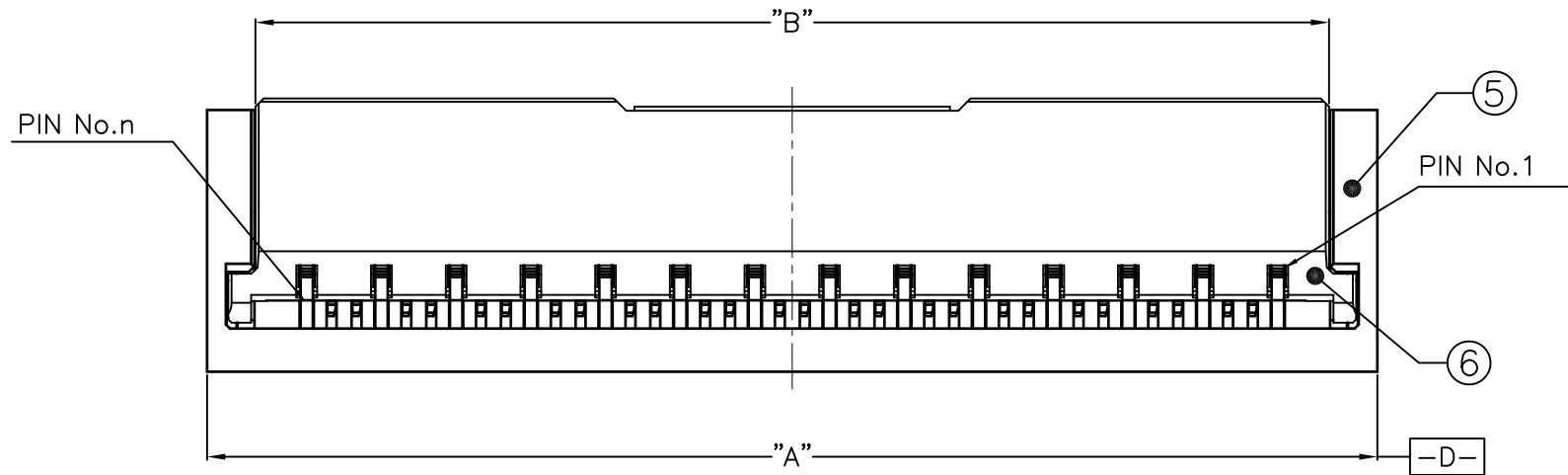


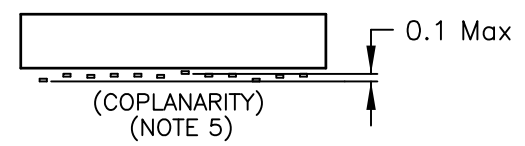
CONNECTOR ASSY



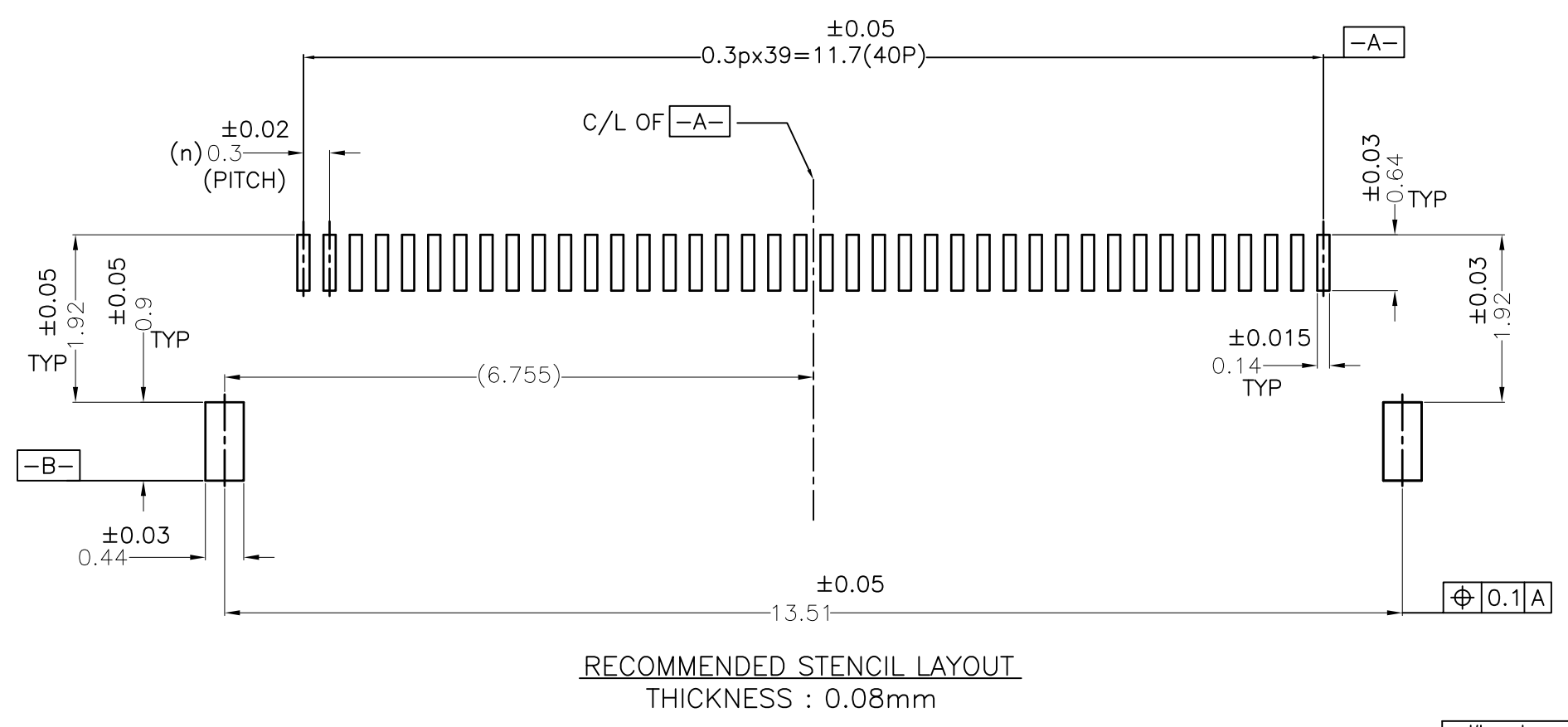
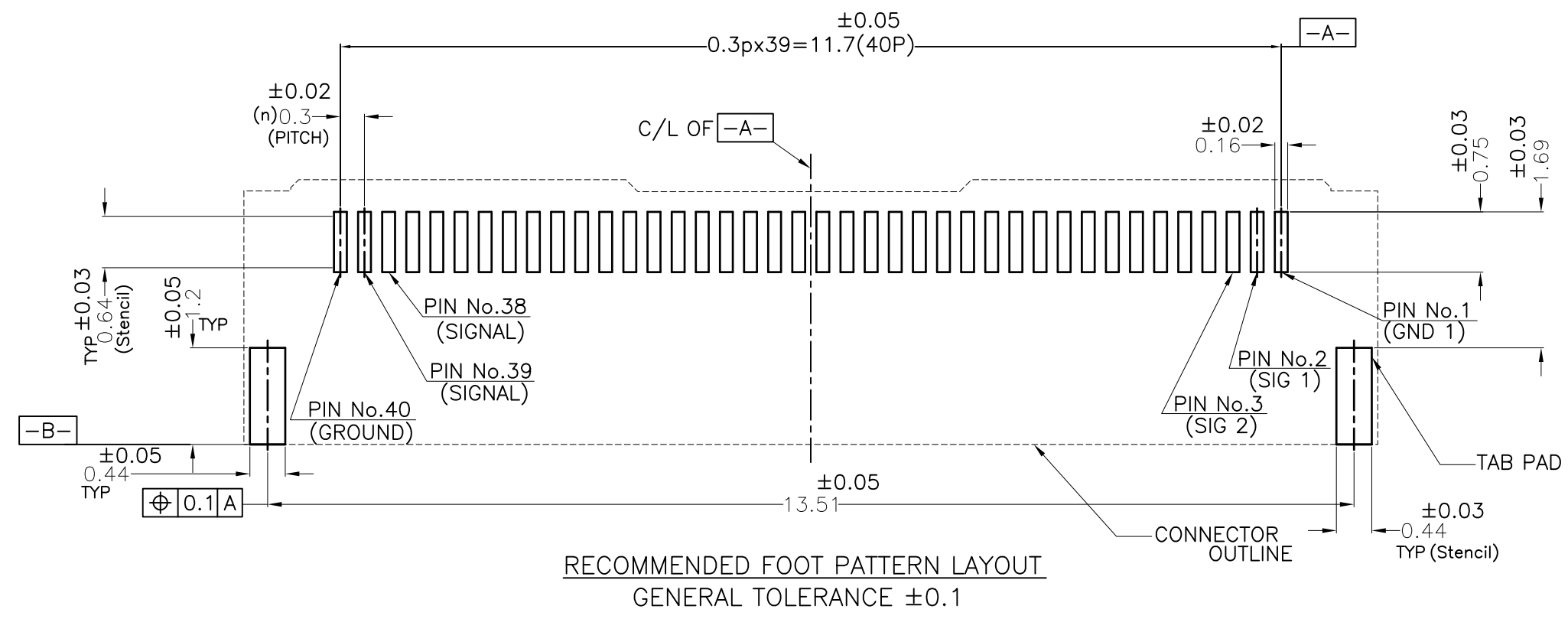
PARTS TABLE (CONNECTOR)			n=Number of Contacts
No.	PART NAME	QTY.	NOTE
⑤	HOUSING	1	HIGH TEMP THERMOPLASTIC LCP XXXXXXXXXX COLOR : BLACK , UL94V-0, HALOGEN FREE
⑥	ACTUATOR	1	HIGH TEMP THERMOPLASTIC PPS XXXXXXXXXX COLOR : BLACK , UL94V-0, HALOGEN FREE
⑦	GROUND CONTACT	14	COPPER ALLOY (CORSON ALLOY) CONTACT AREA : Au 0.05um MIN SOLDERING AREA : Au 0.05um MIN UNDER PLATING : Ni 3±2um ALL OVER
⑧	SIGNAL CONTACT	26	COPPER ALLOY (PHOSPHOR BRONZE) CONTACT AREA : Au 0.05um MIN SOLDERING AREA : Au 0.05um MIN UNDER PLATING : Ni 3±2um ALL OVER
⑨	FIXING TAB	2	COPPER ALLOY (PHOSPHOR BRONZE) TIN PLATING 2~5um UNDER PLATING : Ni 3±2um ALL OVER

NOTE

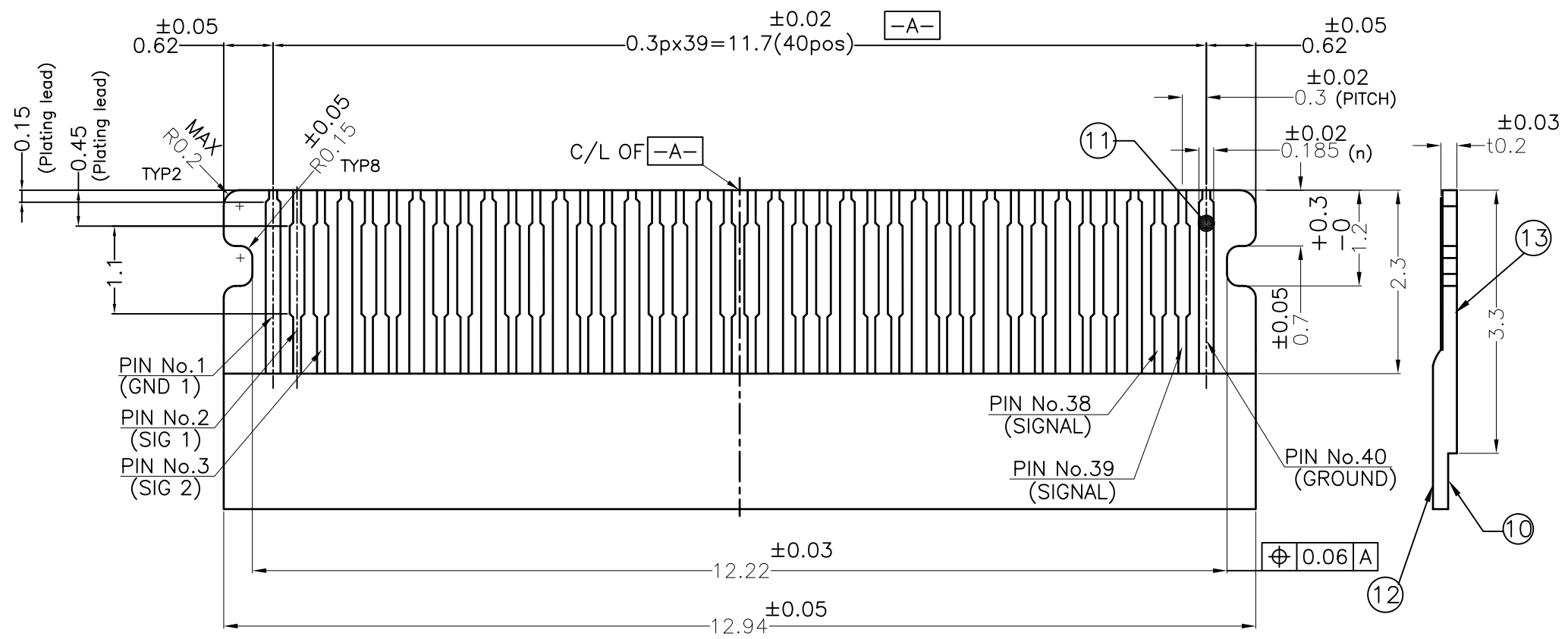
- CONTACT COPLANARITY : 0.1 MAX.
- This product meets European Union Directives and other country regulations as described in GS-47-0004
- THIS HOUSING WILL WITHSTAND EXPOSURE TO 260DegC PEAK TEMPERATURE FOR 10 SECONDS IN A CONVECTION, INFRA-RED OR VAPOR PHASE REFLOW OVEN.



AVAILABLE	40	13.51	11.7	12.935	14.1	10131287-40HSAHLF
TOOLING STATUS	No.of Cont	DIM "D"	DIM "C"	DIM "B"	DIM "A"	PRODUCT NO.
mat'l. code	surface	tolerance	projection	product family		
---	ISO 1302	ISO 406 ISO 1101	mm	58WF		
lfr	ecn no	dr	date	title		
A	N.S	2015-09-14	angles	0.3mm PITCH HSFFPC CONNECTOR ASSY		
B	ELX-J-23664	N.S	2016-03-30	(XXXXX SERIES)		
C	ELX-J-26134	N.S	2017-02-21	scale 10:1		
	dr	N.SASAME	2017-02-21	dwg no		
	enrg	N.SASAME	2017-02-21	sheet 2 of 4		
	chr	H.SUZUKI	2017-02-21	size		
	appd	Y.KAMEDA	2017-02-21	A2		
sheet	revision			type		
index	sheet			PRODUCT CUSTOMER Drawing		
				Rev. C		



mat'l. code		surface		tolerance		projection		product family	
---		ISO 1302 ✓		ISO 406 ISO 1101		⊕		58WF	
lfr		ecn no		date		tolerances unless otherwise specified		title	
A		N.S	2015-09-14	angles	linear	0.X	±0.3	0.3mm PITCH HSFPD CONNECTOR ASSY	
B	ELX-J-23664	N.S	2016-03-30	±3°		0.XX	±0.3	(XXXXX SERIES)	
C	ELX-J-26134	N.S	2017-02-21			0.XXX	±0.3	scale 10:1	
dr		N.SASAME		2017-02-21		Amphenol		dwg no	
enr		N.SASAME		2017-02-21		FCi		sheet 3 of 4	
chr		H.SUZUKI		2017-02-21				size	
appd		Y.KAMEDA		2017-02-21				A2	
sheet		revision				type		PRODUCT CUSTOMER Drawing	
index		sheet						Rev. C	



RECOMMENDED FPC PATTERN LAYOUT
GENERAL TOLERANCE ±0.1

PARTS TABLE (FPC)

No.	PART NAME	MATERIAL
⑩	BASE FILM	POLYIMIDE
⑪	CONDUCTOR	COPPER FOIL (PLATING : Au 0.1um)
⑫	OVER LAY	POLYIMIDE
⑬	STIFFENER BOARD	POLYIMIDE

NOTE
8. ADHESIVE METHOD OF STIFFENER BOARD SHALL BE HEAT CRIMPING METHOD AND THERMOSETTING ADHESIVE SHALL BE USED.

mat'l. code		surface		tolerance		projection		product family	
---		ISO 1302 ✓		ISO 406 ISO 1101		⊕		58WF	
ltr		ecn no		dr		date		title	
A		N.S		2015-09-14		angles		0.3mm PITCH HSFPC CONNECTOR ASSY	
B		ELX-J-23664		N.S		2016-03-30		(XXXXX SERIES)	
C		ELX-J-26134		N.S		2017-02-21		scale 10:1	
				dr		N.SASAME 2017-02-21		dwg no	
				enfr		N.SASAME 2017-02-21		sheet 4 of 4	
				chr		H.SUZUKI 2017-02-21		size	
				appd		Y.KAMEDA 2017-02-21		A2	
sheet		revision						type	
index		sheet						PRODUCT CUSTOMER Drawing	
								Rev. C	

Mouser Electronics

Authorized Distributor

Click to View Pricing, Inventory, Delivery & Lifecycle Information:

[FCI / Amphenol:](#)

[10131287-40HSHLF](#) [10131287-40HS9HLF](#)