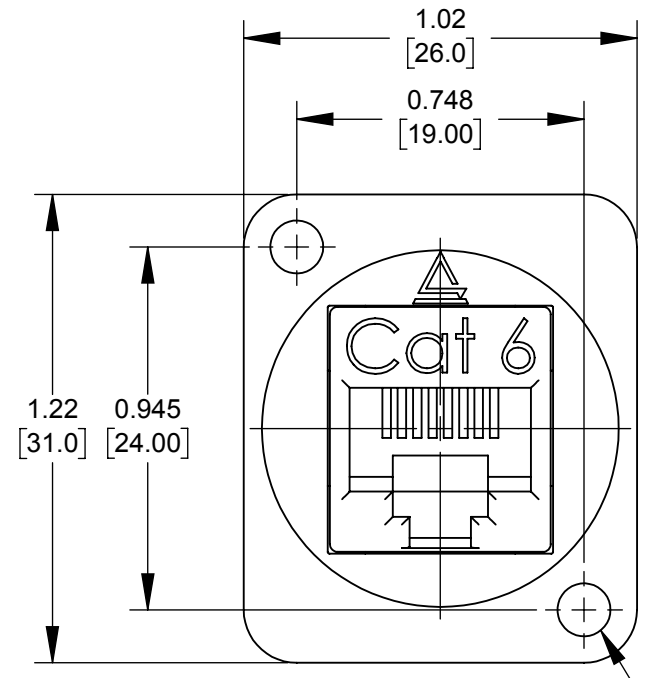
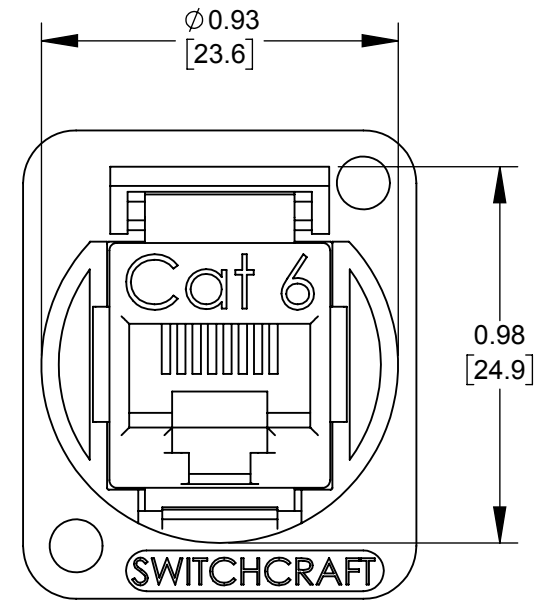
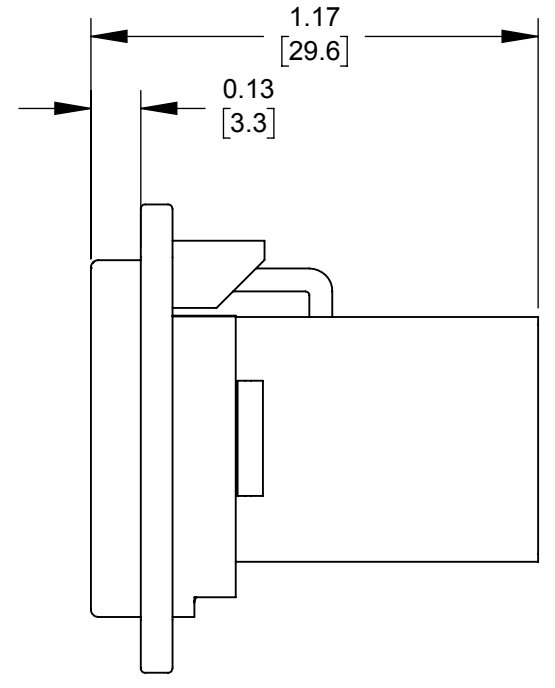


EHRJ45D6
SHOWN

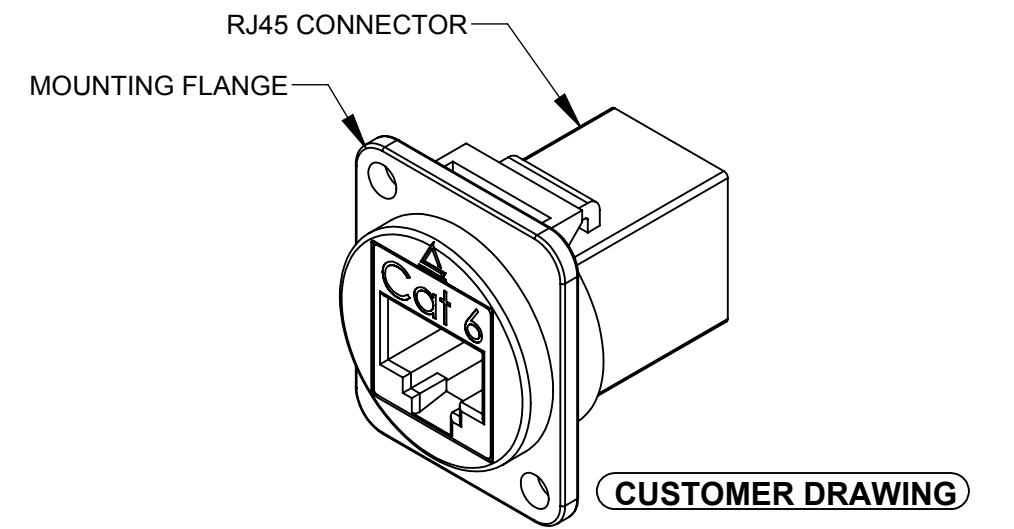


MOUNTING HOLE (2) PLACES
SEE TABLE



PART NUMBER	MOUNTING FLANGE FINISH	MOUNTING HOLE
EHRJ45D6	NICKEL	Ø0.138 [3.50] THRU-HOLE
EHRJ45D6B	BLACK CHROME	Ø0.138 [3.50] THRU-HOLE
EHRJ45D6440	NICKEL	#4-40 THREAD
EHRJ45D6B440	BLACK CHROME	#4-40 THREAD
EHRJ45D6M3	NICKEL	M3 X 0.5 THREAD
EHRJ45D6BM3	BLACK CHROME	M3 X 0.5 THREAD

- NOTES:
- SHIPPED ASSEMBLED WITHOUT PANEL MOUNTING HARDWARE. ADD "PKG" SUFFIX TO INCLUDE MOUNTING SCREWS AND INDIVIDUAL PACKAGING.
 - MATERIALS:
 - MOUNTING FLANGE - ZINC ALLOY, SEE TABLE FOR FINISH
 - RJ45 BODY - THERMOPLASTIC, BLACK
 - RJ45 CONTACTS - COPPER ALLOY, GOLD PLATED
 - SPECIFICATIONS:
 - RJ45 CONNECTOR MEETS TIA/EIA-568 STANDARD.
 - PHYSICAL CHARACTERISTICS
 - INSERTION LIFE: 750 MATING CYCLES WITH FCC PLUG
 - OPERATING TEMP: -10°C TO +60°C (14°F TO +140°F)
 - ELECTRICAL
 - INSULATION RESISTANCE: 500MOHM
 - DIELECTRIC WITHSTANDING VOLTAGE: 1000V
 - DC CURRENT RATING: 1.5 AMPS
 - DC RESISTANCE: 0.1OHM
 - CONTACT RESISTANCE: 20mOHM
 - THESE PRODUCTS ARE RoHS COMPLIANT.



REV	ECO NUMBER	DATE	BY	APVD
0A	CREATED FOR PDR 18006	6/21/19	JGK	*
REVISIONS				

UNLESS OTHERWISE SPECIFIED

1. ALL DIMENSIONS IN INCHES [mm]

- TWO PLACE DECIMALS ±0.02 [0.5]

- THREE PLACE DECIMALS ±0.005 [0.13]

DO NOT SCALE DRAWING

THIS DRAWING DESCRIBES A DESIGN CONSIDERED PROPRIETARY IN NATURE, DEVELOPED AND MANUFACTURED BY SWITCHCRAFT INC. AND IS RELEASED ON A CONFIDENTIAL BASIS FOR IDENTIFICATION PURPOSES ONLY.									
SIZE	WIDTH	MULT	LBS/M	TEMPER					
FINISH					MATERIAL				
SPEC No.					SPEC No.				
FIRST USED ON				SCALE 2:1					
DATE DRAWN	BY	CHKD	APVD	Switchcraft®					
6/21/19	JGK	JGK	TJK	SHEET 1 OF 1					
			7/10/19				7/10/19		
NAME					PART No.				
METAL FLANGE, REAR MOUNT RJ45, CAT6 CONNECTOR, UNSHIELDED, RoHS					EHRJ45D6 SERIES				
					REV 0A				

Mouser Electronics

Authorized Distributor

Click to View Pricing, Inventory, Delivery & Lifecycle Information:

[Switchcraft:](#)

[EHRJ45D6B440](#) [EHRJ45D6440](#) [EHRJ45D6M3](#) [EHRJ45D6B](#) [EHRJ45D6BM3](#) [EHRJ45D6](#)