

1775051-1 ✓ ACTIVE

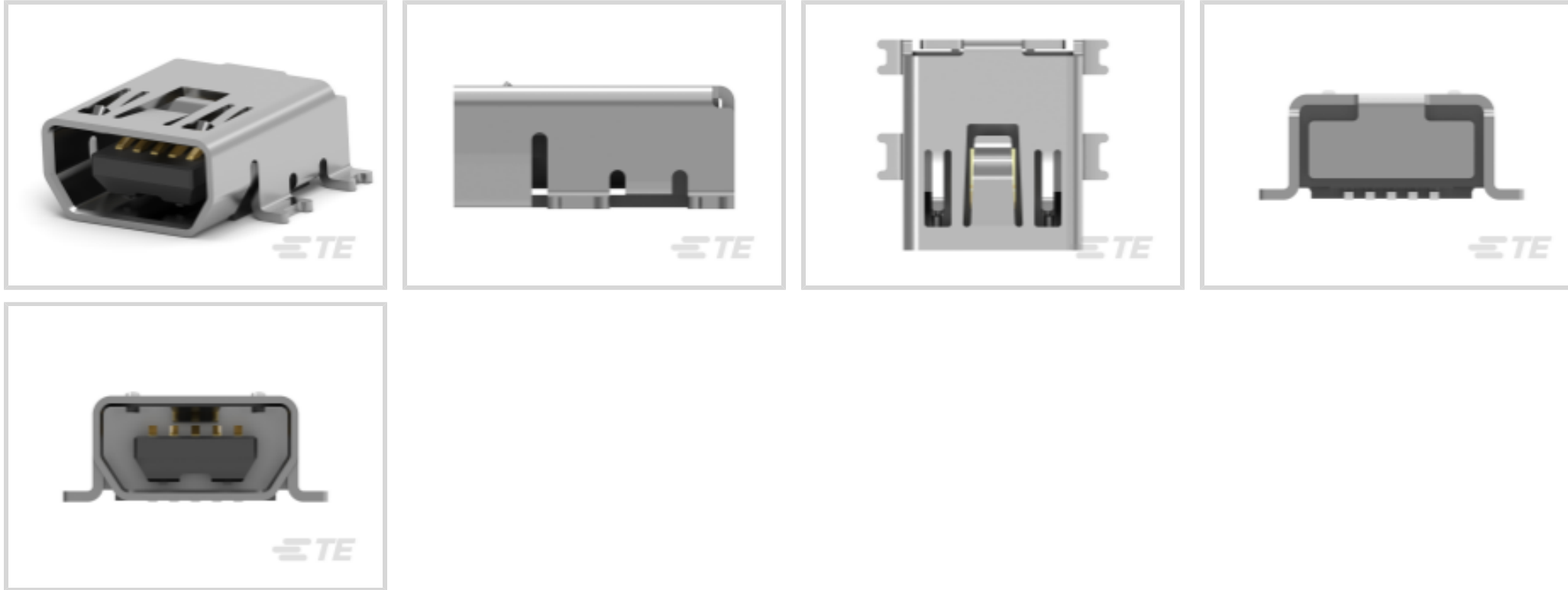
TE Internal #: 1775051-1

USB Connectors, A/B, 2.0, Mini Profile, Receptacle, 1 Port, Top, Right Angle, Tape & Reel, Flush, Surface Mount, Hold-Down PCB Mount Retention Type

[View on TE.com >](#)



Connectors > Audio & Video Connectors > USB Connectors



USB Connector Type: **A/B**

USB Version: **2.0**

Connector Profile: **Mini**

Connector & Housing Type: **Receptacle**

Number of Ports: **1**

Features

Product Type Features

Integral Locking Latch	Without
USB Connector Type	A/B
USB Version	2.0
Connector & Housing Type	Receptacle
Connector System	Cable-to-Board
Connector & Contact Terminates To	Printed Circuit Board
Product Type	Connector
LED	Without

Configuration Features

Number of Ports	1
Number of Positions	5

Body Features

Offset	0 mm
Shell Plating Finish	Bright



Connector Profile	Mini
-------------------	------

Shell Plating Material	Tin over Copper
------------------------	-----------------

Contact Features

Contact Current Rating (Max)	1 A
------------------------------	-----

Contact Mating Area Plating Material	Gold Flash over Palladium Nickel
--------------------------------------	----------------------------------

Contact Mating Area Plating Thickness	.76 μm [29.92 μin]
---------------------------------------	---

Termination Features

Termination Method to Printed Circuit Board	Surface Mount
---	---------------

Mechanical Attachment

Locking Feature	With
-----------------	------

Locating Posts	Without
----------------	---------

PCB Mount Location	Top
--------------------	-----

PCB Connector Seating	Flush
-----------------------	-------

PCB Mount Retention Type	Hold-Down
--------------------------	-----------

Connector Mounting Type	Board Mount
-------------------------	-------------

Housing Features

Body Orientation	Right Angle
------------------	-------------

Centerline (Pitch)	.8 mm[.031 in]
--------------------	----------------

Housing Material	PA 6T
------------------	-------

Housing Color	Black
---------------	-------

Dimensions

Tail Length	1.15 mm[.045 in]
-------------	------------------

PCB Thickness (Recommended)	1 mm[.039 in]
-----------------------------	---------------

Usage Conditions

Soldering Temperature (Max)	260 °C[500 °F]
-----------------------------	----------------

Mating Cycles (Max)	5000
---------------------	------

Operating Temperature Range	-20 – 60 °C[-4 – 140 °F]
-----------------------------	--------------------------

Operation/Application

Halogen Free	No
--------------	----

Assembly Process Feature	Carrier Tape
--------------------------	--------------

Circuit Application	Power & Signal
---------------------	----------------

Industry Standards



Moisture Sensitivity Level	1
Industry Standard	USB 2.0
UL Flammability Rating	UL 94V-0

Packaging Features

Packaging Method	Tape & Reel
Packaging Quantity	700

Product Compliance

[For compliance documentation, visit the product page on TE.com>](#)

EU RoHS Directive 2011/65/EU	Compliant with Exemptions
EU ELV Directive 2000/53/EC	Compliant
China RoHS 2 Directive MIIT Order No 32, 2016	Restricted Materials Above Threshold
EU REACH Regulation (EC) No. 1907/2006	Current ECHA Candidate List: JUL 2021 (219) Candidate List Declared Against: JAN 2021 (211) SVHC > Threshold: Not Yet Reviewed
Halogen Content	Not Low Halogen - contains Br or Cl > 900 ppm.
Solder Process Capability	Reflow solder capable to 260°C

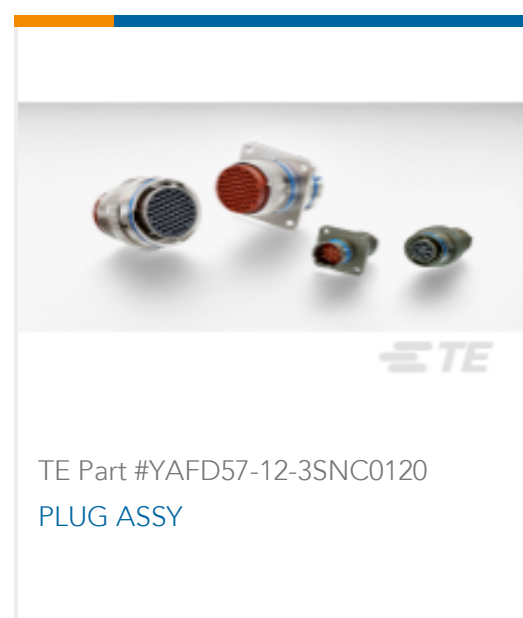
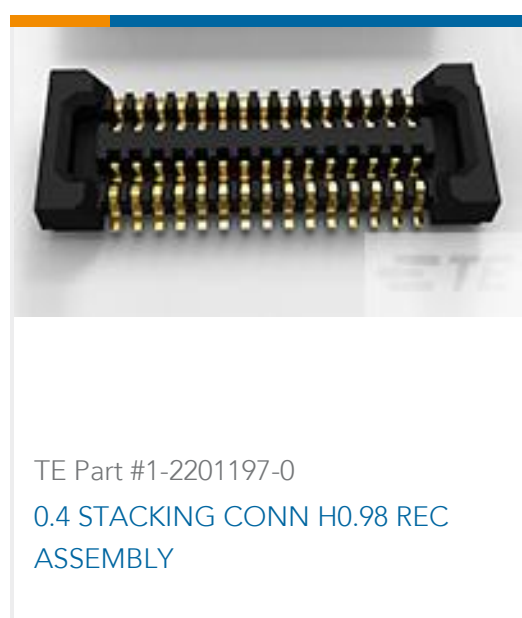
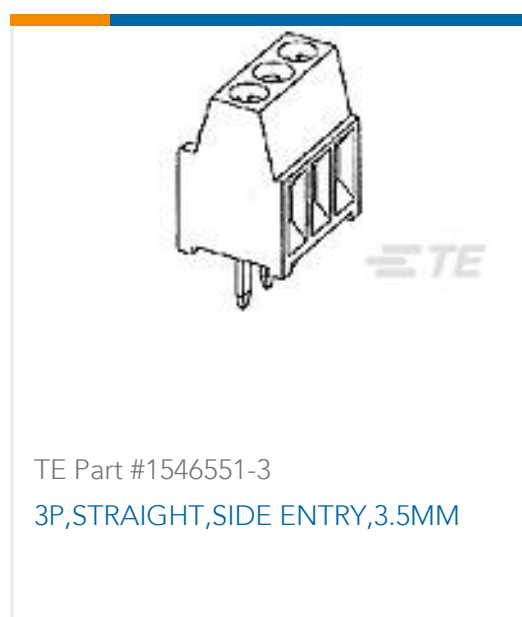
Product Compliance Disclaimer

This information is provided based on reasonable inquiry of our suppliers and represents our current actual knowledge based on the information they provided. This information is subject to change. The part numbers that TE has identified as EU RoHS compliant have a maximum concentration of 0.1% by weight in homogenous materials for lead, hexavalent chromium, mercury, PBB, PBDE, DBP, BBP, DEHP, DIBP, and 0.01% for cadmium, or qualify for an exemption to these limits as defined in the Annexes of Directive 2011/65/EU (RoHS2). Finished electrical and electronic equipment products will be CE marked as required by Directive 2011/65/EU. Components may not be CE marked. Additionally, the part numbers that TE has identified as EU ELV compliant have a maximum concentration of 0.1% by weight in homogenous materials for lead, hexavalent chromium, and mercury, and 0.01% for cadmium, or qualify for an exemption to these limits as defined in the Annexes of Directive 2000/53/EC (ELV). Regarding the REACH Regulation, the information TE provides on SVHC in articles for this part number is based on the latest European Chemicals Agency (ECHA) 'Guidance on requirements for substances in articles' posted at this URL: <https://echa.europa.eu/guidance-documents/guidance-on-reach>

Compatible Parts



Customers Also Bought



Documents

Product Drawings

MINI USB, TYPE A/B, R/A, SMT, MYLAR

English

CAD Files

Customer View Model

[ENG_CVM_CVM_1775051-1_A.2d_dxf.zip](#)

English

[3D PDF](#)



3D

Customer View Model

[ENG_CVM_CVM_1775051-1_A.3d_igs.zip](#)

English

Customer View Model

[ENG_CVM_CVM_1775051-1_A.3d_stp.zip](#)

English

By downloading the CAD file I accept and agree to the [Terms and Conditions](#) of use.

Product Specifications

[Crimping of AMP Lattice Contact](#)

English

[Application Specification](#)

English

Agency Approvals

[UL Report](#)

English