

POWR-GARD® Blocks & Holders

LSCR SERIES HIGH-SPEED FUSE BLOCKS

700 V • 1000 V • 1500 V



Description

Littelfuse LSCR series is a comprehensive line of modular fuse blocks, designed to accommodate a wide range of high-speed and UL power fuses. These LSCR series blocks have a modular stud-type design that enables easy mounting in panel boards.

Features/Benefits

- Modular design reduces inventory requirements
- Sold in pairs for convenience
- Supplied with nut and Belleville washer

Specifications

| | |
|------------------------------|--|
| Voltage Rating | 700 V / 1000 V / 1500 V |
| Ampere Rating | 400 A, 800 A and 1200 A |
| Withstand Rating | 200 kA / 250 kA |
| Approvals | UL Recognized (File: E14721) cURus Recognized (E14721) CSA Certified (File: 73160) |
| Material Base | Molded phenolic or thermoplastic |
| Terminal Construction | Steel, zinc-plated |
| Flammability Rating | UL 94 V-0 |
| Environmental | RoHS compliant |
| Country of Origin | LSCR0xx - China LSCR1xx - USA |

Web Resources

For more information, visit: Littelfuse.com/LSCR

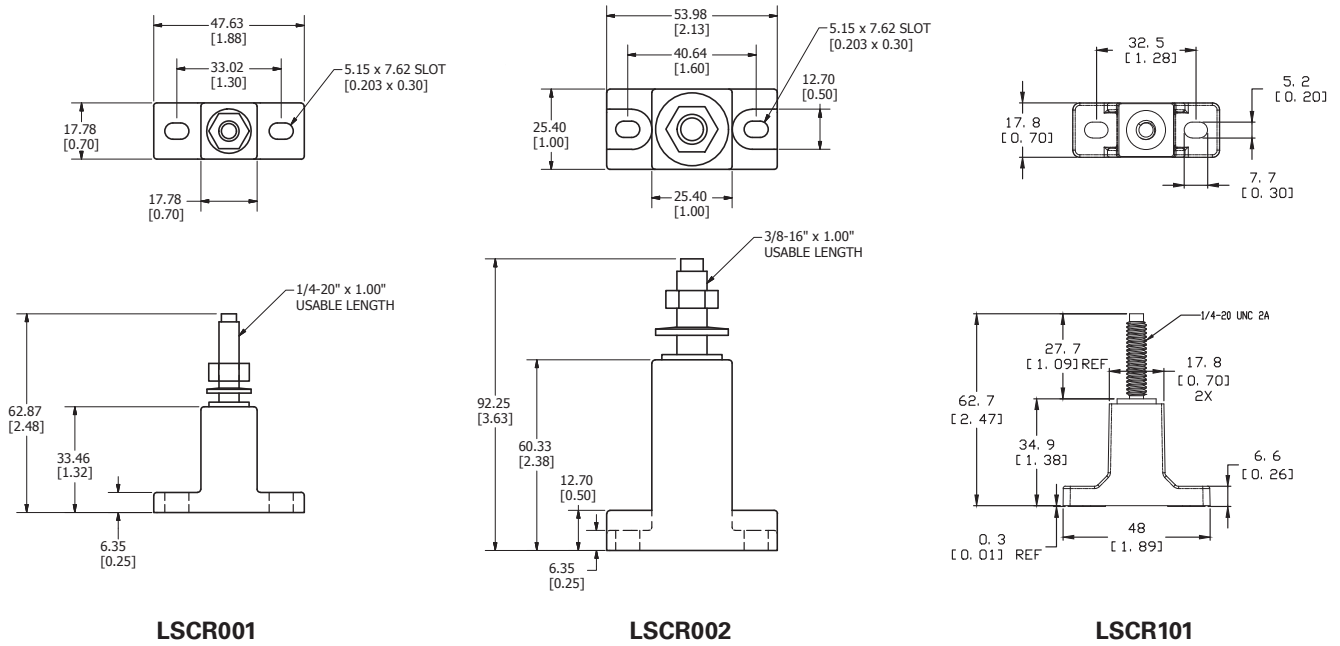
Electrical & Mechanical Specifications

| CATALOG/ ORDERING NUMBER | AMPERE RATING | VOLTAGE RATING | | INTERRUPTING RATING | | INSULATOR | | SUGGESTED STUD TORQUE | | MOUNTING FASTENER SIZE | SUGGESTED FASTENER TORQUE | | AGENCY APPROVALS | | |
|--------------------------------|------------------|-------------------|--------|------------------------|--------|-----------------|--------------------------|--------------------------|-----------|------------------------------|---------------------------------|---------|---------------------|-------|-----|
| | | AC | DC | AC | DC | MATERIAL | MAX. BASE TEMPERATURE | (in.lbs) | (N•m) | | (in.lbs) | (N•m) | UR | cURus | CSA |
| LSCR001 | 400 A | 700 V | 1500 V | 200 kA | 250 kA | Molded Phenolic | 150 °C (302 °F) | 61 | 6.8 | #10 | 20–25 | 2.3–2.8 | • | | • |
| LSCR002 | 800 A | 700 V | 1500 V | 200 kA | 250 kA | Molded Phenolic | 150 °C (302 °F) | 192 | 21.6 | #10 | 20–25 | 2.3–2.8 | • | | • |
| LSCR101 | 400 A | 1000 V | 1000 V | 200 kA | 200 kA | Thermoplastic | 125 °C (257 °F) | 67.5–82.5 | 7.6–9.3 | #10 | 12 max | 1.3 max | | • | |
| LSCR102 | 800 A | 1000 V | 1000 V | 200 kA | 200 kA | Thermoplastic | 125 °C (257 °F) | 207–253 | 23.4–28.6 | #10 | 12 max | 1.3 max | | • | |
| LSCR103 | 1200 A | 1000 V | 1000 V | 200 kA | 200 kA | Thermoplastic | 125 °C (257 °F) | 270–330 | 30.5–37.3 | ¼" | 12 max | 1.3 max | | • | |

POWR-GARD® Blocks & Holders

LSCR SERIES HIGH-SPEED FUSE BLOCKS

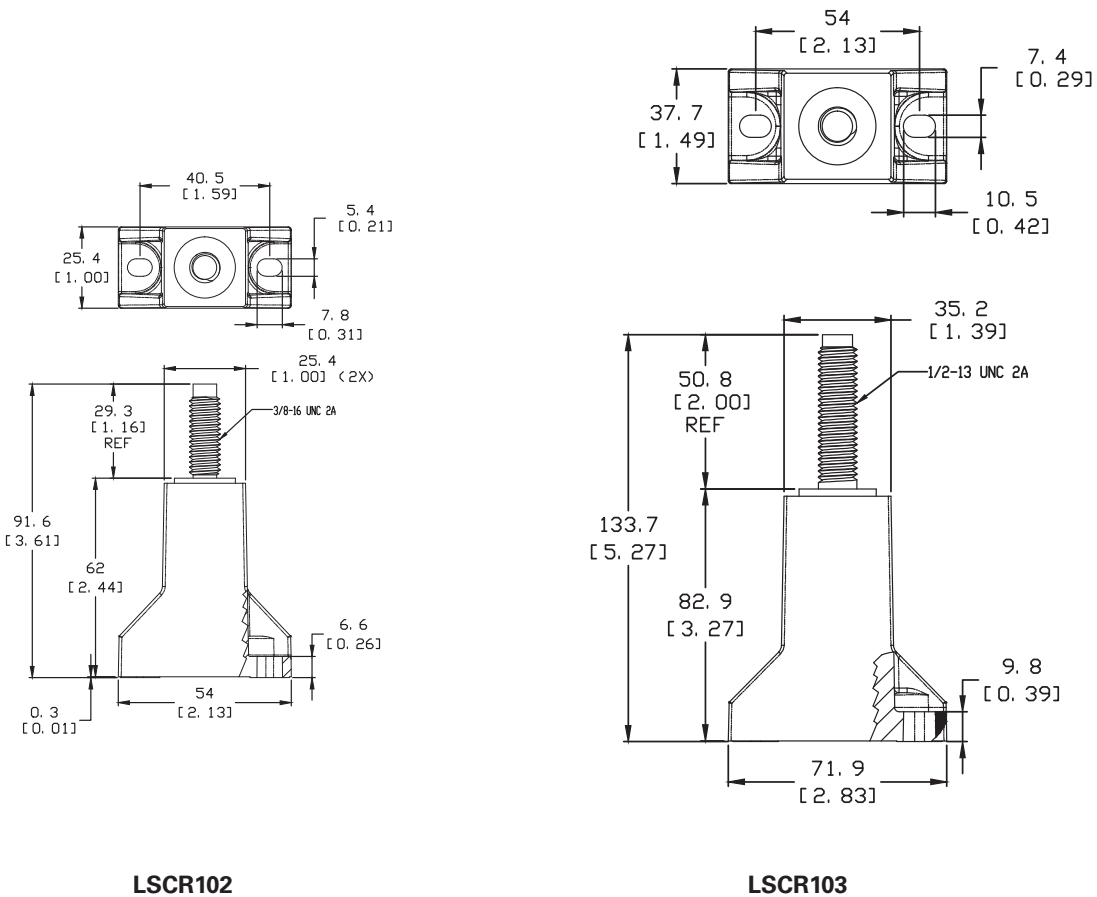
Dimensions mm (inches)



LSCR001

LSCR002

LSCR101



LSCR102

LSCR103

High-Speed Fuse Block Selection Guide

| FUSE SERIES | CATALOG NUMBER | LSCR001 | LSCR002 | LSCR101 | LSCR102 | LSCR103 |
|-------------|----------------|--------------------|--------------------|--------------|--------------|--------------|
| | TERMINAL SIZE | 1/4-20 UNC | 3/8-16 UNC | 1/4-20 UNC | 3/8-16 UNC | 1/2-13 UNC |
| | VOLTAGE RATING | 700 V ac/1500 V dc | 700 V ac/1500 V dc | 1000 V ac/dc | 1000 V ac/dc | 1000 V ac/dc |
| | AMPERE RATING | 400 A | 800 A | 400 A | 800 A | 1200 A |
| L15S | 70-400 | X | | X | | |
| | 500-800 | | X | | X | |
| L17T | 70-250 | X | | X | | |
| | 300-800 | | X | | X | |
| L25S | 35-200 | X | | X | | |
| | 225-800 | | X | | X | |
| L50S | 35-200 | X | | X | | |
| | 225-800 | | X | | X | |
| L50QS | 700-800 | | | | | X |
| | 35-200 | X | | X | | |
| | 225-800 | | X | | X | |
| L60S | 700-800 | | | | | X |
| | 35-200 | X | | X | | |
| | 225-800 | | X | | X | |
| KLC | 700-800 | | | | | X |
| | 35-60 | X | | X | | |
| | 70-800 | | X | | X | |
| L70S | 70-200 | X | | X | | |
| | 125-800 | | X | | X | |
| | 450-800 | | | | | X |
| L70QS | 70-200 | X | | X | | |
| | 125-800 | | X | | X | |
| | 450-800 | | | | | X |
| JLLN | 70-200 | X | | X | | |
| | 225-800 | | X | | X | |
| JLLS | 900-1200 | | | | | X |
| | 70-200 | X | | X | | |
| | 225-800 | | X | | X | |
| JLS | 900-1200 | | | | | X |
| | 70-100 | X | | X | | |
| | 110-200 | X | | X | | |
| | 225-400 | | X | | X | |
| SPFJ | 450-600 | | X | | X | |
| | 70-100 | X | | X | | |
| | 125-200 | X | | X | | |
| | 250-400 | | X | | X | |
| L75QS | 450 | | | | | X |
| | 35-100 | X | | X | | |
| | 125-800 | | X | | X | |
| | 450-800 | | | | | X |

High-Speed Fuse Block Selection Guide

| FUSE SERIES | CATALOG NUMBER | LSCR001 | LSCR002 | LSCR101 | LSCR102 | LSCR103 |
|-------------|----------------|--------------------|--------------------|--------------|--------------|--------------|
| | TERMINAL SIZE | 1/4–20 UNC | 3/8–16 UNC | 1/4–20 UNC | 3/8–16 UNC | 1/2–13 UNC |
| | VOLTAGE RATING | 700 V ac/1500 V dc | 700 V ac/1500 V dc | 1000 V ac/dc | 1000 V ac/dc | 1000 V ac/dc |
| | AMPERE RATING | 400 A | 800 A | 400 A | 800 A | 1200 A |
| ESR1XLDB | 125 | | X | | | |
| ESR1XLUB | 125 | | | | | X |
| EV1K | 60–125 | X | | | | |
| EV1K | 150–600 | | X | | | |
| PSR030DL | 40–550 | | X | | | |
| PSR030DS | 40–550 | | X | | | |
| PSR030UL | 40–550 | | X | | | |
| PSR030US | 40–550 | | X | | | |
| PSR031DL | 200–800 | | X | | | |
| PSR031DS | 200–800 | | X | | | |
| PSR031UL | 200–800 | | | | | X |
| PSR031US | 200–800 | | | | | X |
| PSR032DL | 400–800 | | X | | | |
| PSR032DS | 400–800 | | X | | | |
| PSR032UL | 400–1100 | | | | | X |
| PSR032US | 400–1100 | | | | | X |
| PSR033DL | 450–800 | | X | | | |
| PSR033DS | 450–800 | | X | | | |
| PSR070DL | 50–315 | | | | X | |
| PSR070UL | 50–315 | | X | | | |
| PSR071DL | 160–450 | | | | X | |
| PSR071UL | 160–450 | | | | | X |
| PSR072DL | 250–630 | | | | X | |
| PSR072UL | 250–630 | | | | | X |
| PSR073DL | 315–700 | | | | X | |
| PSX1XLDB | 80–700 | | X | | | |
| PSX1XLUB | 80–700 | | | | | X |
| PSX3XLDB | 450–630 | | X | | | |

Disclaimer Notice – Information furnished is believed to be accurate and reliable. However, users should independently evaluate the suitability of and test each product selected for their own applications. Littelfuse products are not designed for, and may not be used in, all applications. Read complete Disclaimer Notice at www.littelfuse.com/product-disclaimer.