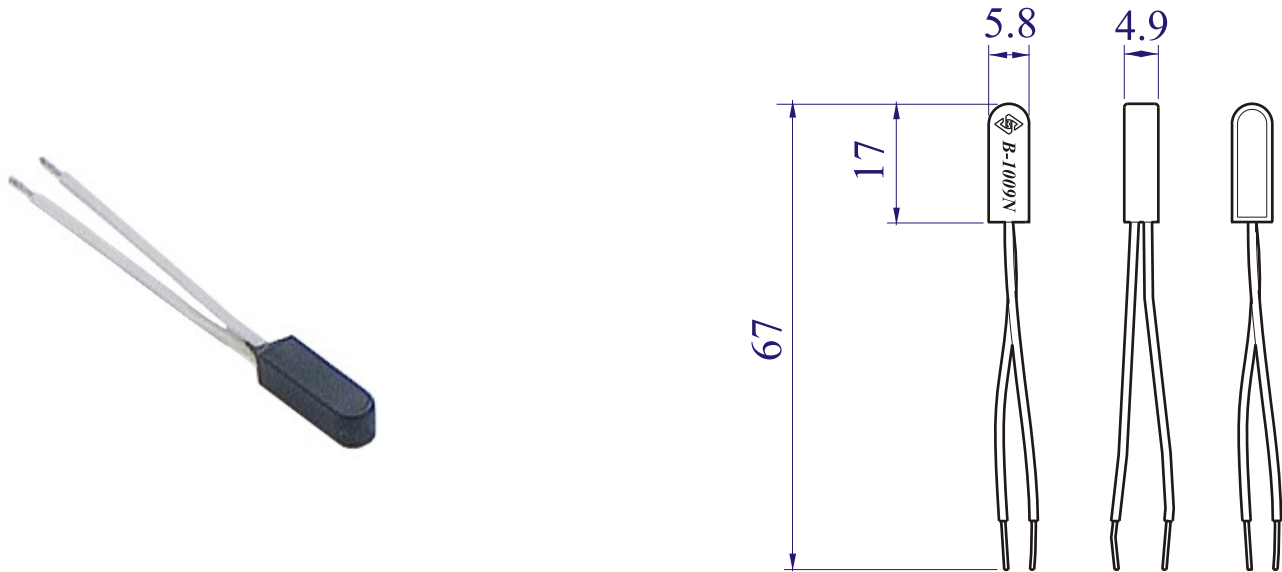




Sang Mao

SERIES B-1009N

Thermostat | Overheat Protector | Thermal cut-off



DIMENSION IN mm

SPECIFICATIONS:

- ✧ TEMPERATURE RANGE: **45 - 140°C** (AT NO LOAD)
- ✧ OPERATING TOLERANCE: **±5°C**
- ✧ RESET DIFFERENTIAL: **5°C - 50°C**
- ✧ INPUT POWER: **12/24 VDC / 125/250 VAC**
- ✧ CONTACTS TYPE: NORMALLY CLOSE(NNC) / NORMALLY OPEN(NNO) .
- ✧ CONTACTS ENDURANCE: (RESISTIVE LOAD)
 - 24VDC x 100mA** -- 20,000 CYCLES
 - 24VDC x 2A** -- 10,000 CYCLES
 - 125VAC x 2A** -- 10,000 CYCLES
 - 250VAC x 1A** -- 10,000 CYCLES
- ✧ OVERSHOOT TEMPERATURE: **180°C / 3 MINUTES .**
- ✧ DIELECTRIC STRENGTH: **1500VAC / 1 MINUTE .**
- ✧ LEAD WIRE: AWG # **22 x 50** mm
- ✧ HOUSING MATERIAL: POLYAMIDE
- ✧ FEATURES: WATERPROOF
SMALL SIZE
SHORT CURRENT FAST ACTION
- ✧ METHOD OF OPERATION : **AUTOMATIC INTERRUPTION AND AUTOMATIC RESETTING .**
- ✧ **IEC - 934** METHOD OF TRIPPING: "**TO**" = **THERMAL .**
- ✧ DEGREE OF TRIP - FREE BEHAVIOUR : "**CYCLING TRIP - FREE**"
- ✧ RESET TYPE: AUTO RESET .

APPLICATIONS :

- ✧ RECHARGE BATTERY UNIT
- ✧ MOTOR WINDING
- ✧ POWER ADAPTOR

