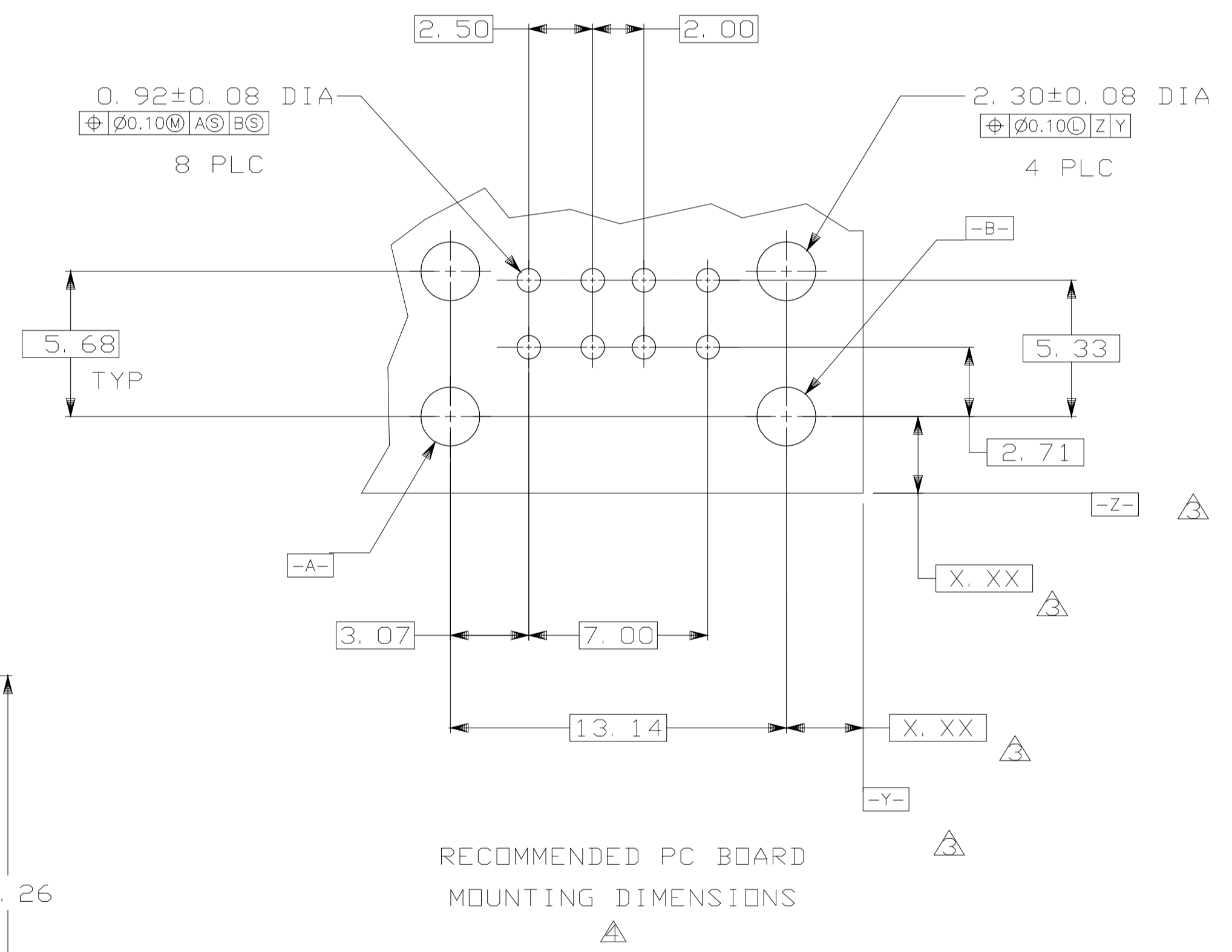
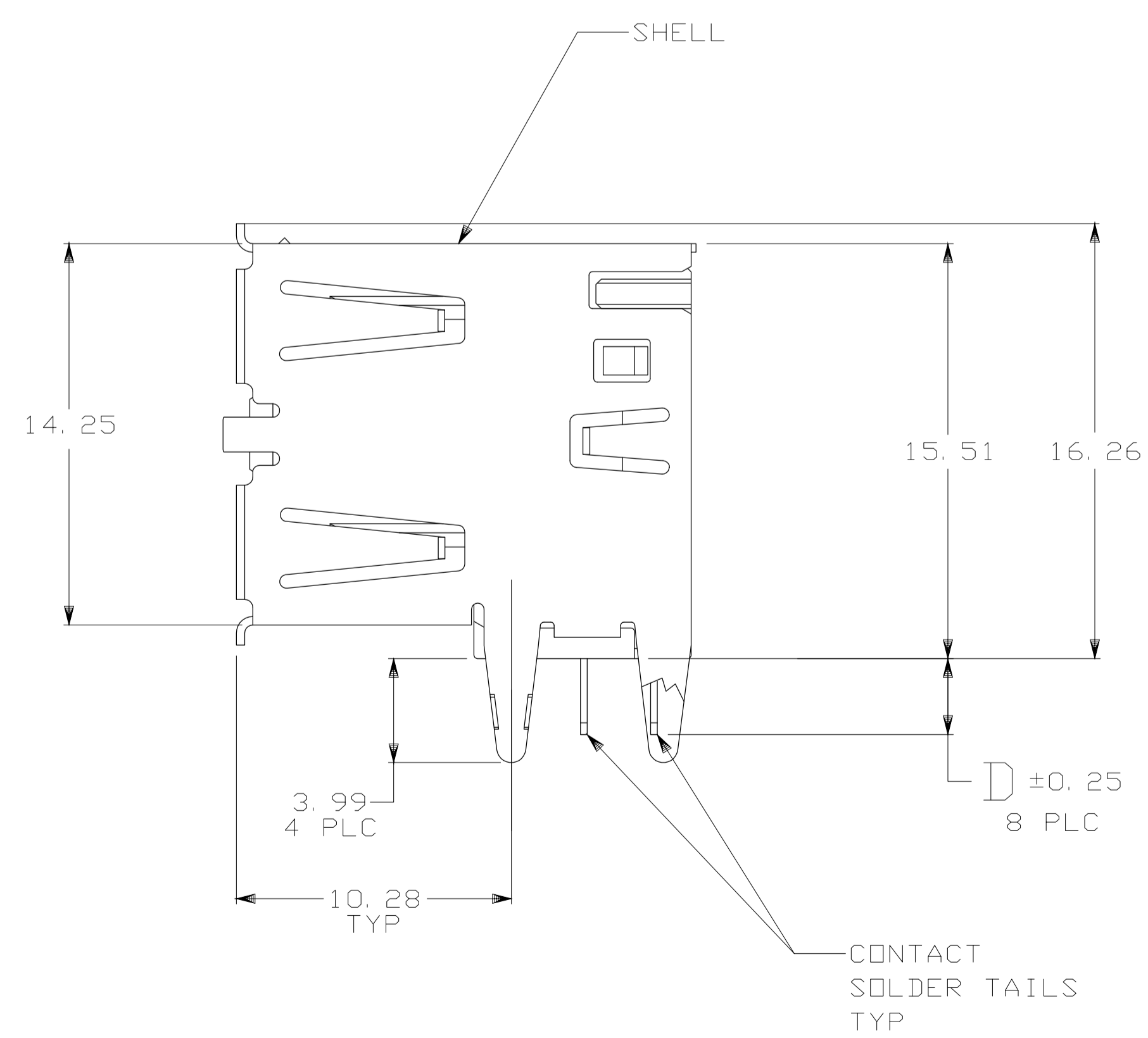
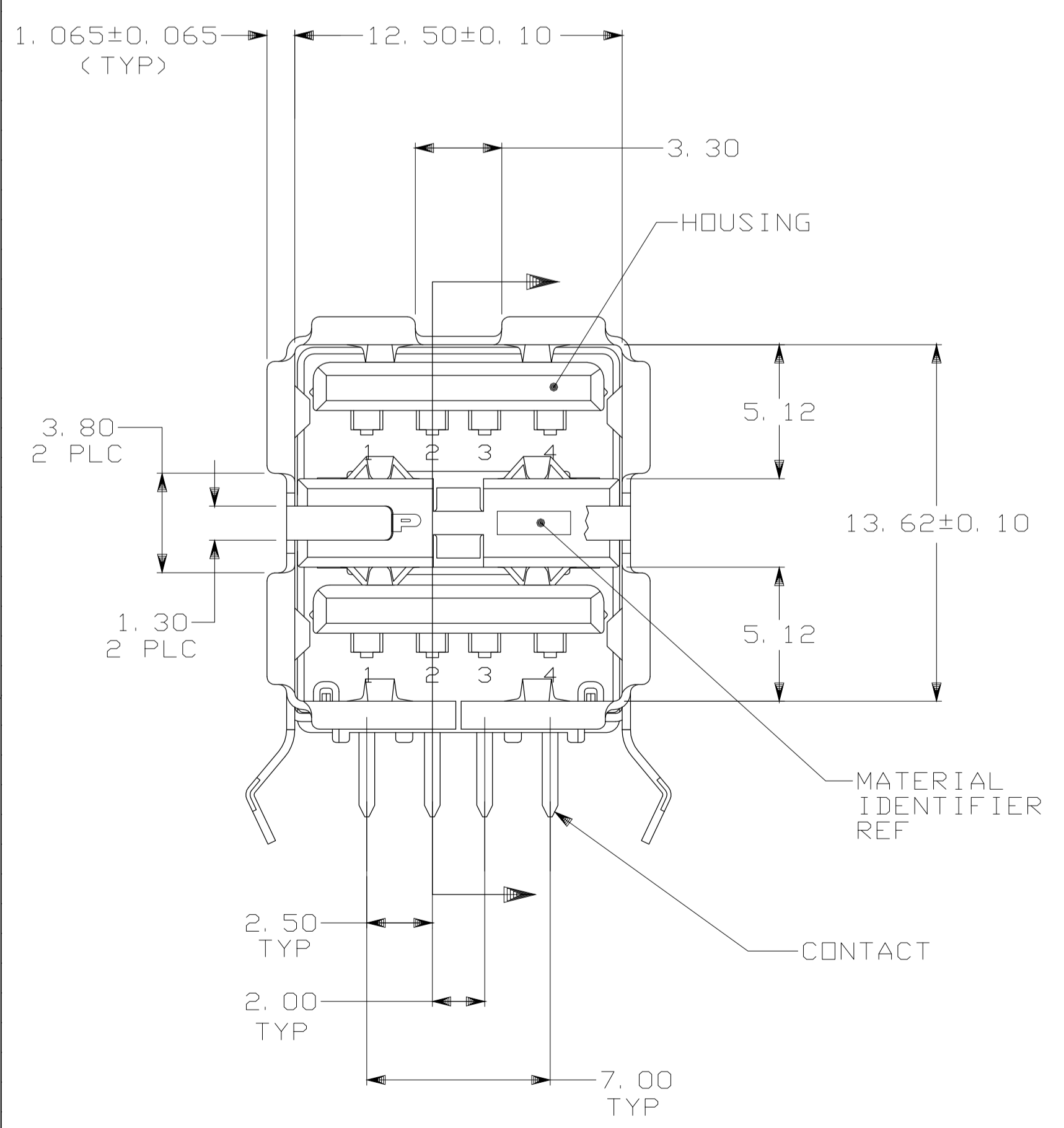


LEAD FREE

- ⚠ MATERIAL:
SHELL & CONTACTS- COPPER ALLOY.
HOUSING- UL 94V-0 RATED, THERMOPLASTIC, SEE TABLE.
- ⚠ PLATING:
CONTACTS- 0.076 MICROMETERS MINIMUM GOLD OVER 0.76 MICROMETERS MINIMUM PALLADIUM-NICKEL ON MATING AREA. OR CONTACT ALTRENATE PLATING 0.76 MICROMETERS MINIMUM GOLD ON MATING AREA.
3.80 MICROMETERS MINIMUM TIN ON SOLDER TAILS.
BOTH OVER 1.27 MICROMETERS MINIMUM NICKEL.
SHELL: 2~5μm THICK TIN
- ⚠ DATUM AND BASIC DIMENSIONS ESTABLISHED BY CUSTOMER.
- ⚠ RECOMMENDED PC BOARD THICKNESS OF 1.57.



| | | | |
|-----------------------------|-----------|---------------|-------------|
| YES | 2.29±0.25 | BLACK | 5787745-5 |
| YES | 2.84±0.25 | BLACK | 5787745-4 |
| NO | 2.84±0.25 | NATURAL | 5787745-3 |
| NO | 2.29±0.25 | BLACK | 5787745-2 |
| NO | 2.84±0.25 | BLACK | 5787745-1 |
| HIGH TEMPERATURE COMPATIBLE | D | HOUSING COLOR | PART NUMBER |

| | | | | |
|--|--|------------------|-----------|---|
| THIS DRAWING IS A CONTROLLED DOCUMENT. | | DIN | 26OCT2004 | TE Connectivity |
| DIMENSIONS: mm | | LEO ZHOU | 26OCT2004 | |
| TOLERANCES UNLESS OTHERWISE SPECIFIED: | | CIK | 26OCT2004 | NAME RECEPTACLE ASSEMBLY, RIGHT ANGLE, STACKED, THRU-HOLE, USB |
| 0 PLC ± - | | STEVEN YAO | 26OCT2004 | |
| 1 PLC ± - | | APVD | 26OCT2004 | PRODUCT SPEC APPLICATION SPEC |
| 2 PLC ± - | | NAME | | |
| 3 PLC ± - | | SIZE | CAGE CODE | DRAWING NO |
| 4 PLC ± - | | WEIGHT | A1 | 00779 |
| ANGLES ± - | | CUSTOMER DRAWING | SCALE | 1:1 |
| MATERIAL | | FINISH | SHEET | 1 OF 1 |
| | | REV | | A1 |