

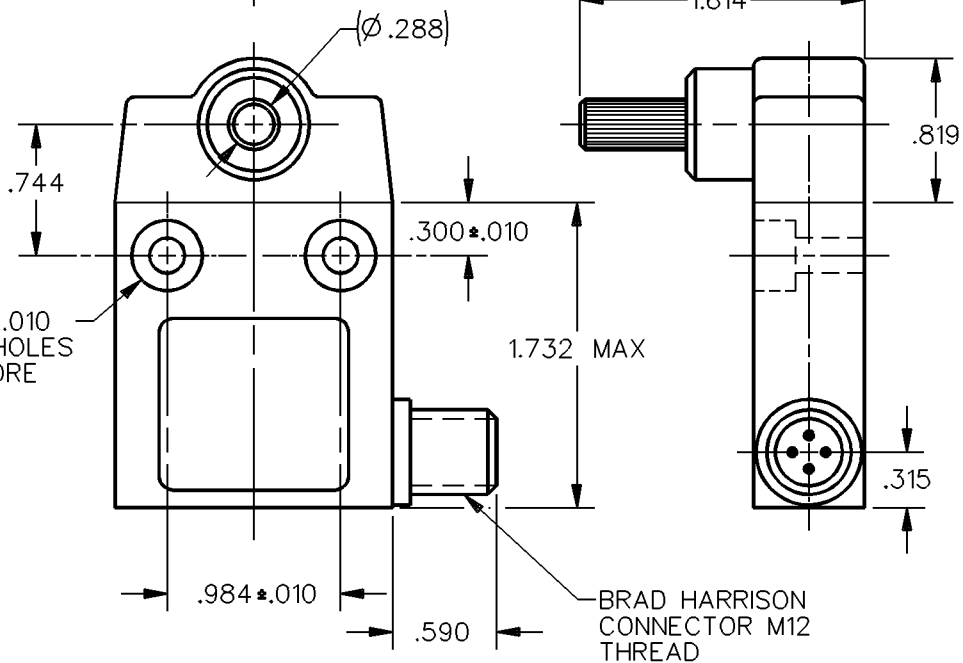
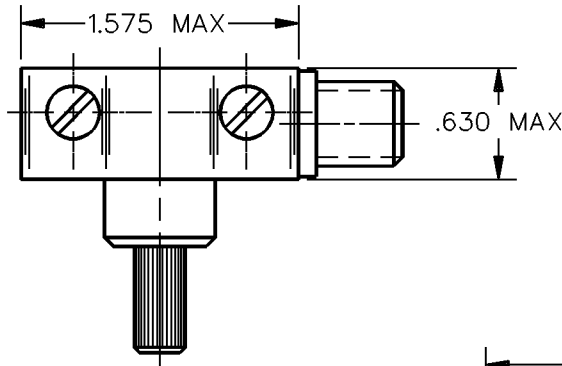
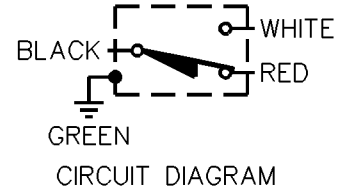
MICRO SWITCH
a Honeywell Division

FED. MFG. CODE 91929

MINIATURE PRECISION
LIMIT SWITCH

CATALOG LISTING

914CE16-AQ



2X ∅ .200 ± .010
MOUNTING HOLES
(∅ .40 C'BORE
.24 DEEP)

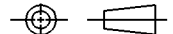
NOTES

- 1 - ZINC HOUSING FINISHED WITH GRAY PAINT
- 2 - SWITCH WILL ACTUATE IN BOTH DIRECTIONS

ANSI Y14.5M-1982 APPLIES

THIS DRAWING COVERS A PROPRIETARY ITEM AND IS THE PROPERTY OF MICRO SWITCH, A DIVISION OF HONEYWELL. THIS DRAWING IS NOT TO BE COPIED OR USED WITHOUT THE APPROVAL OF MICRO SWITCH.

THIRD ANGLE PROJECTION



CHARACTERISTICS

OPERATING FORCE — — — 3 IN. LB MAX
RELEASE FORCE — — — 6 IN. OZ MIN
PRETRAVEL — — — — — 30° MAX
DIFFERENTIAL TRAVEL — — — 3° MAX
OVERTRAVEL — — — — — 40° MIN

ELECTRICAL DATA

CONTACT ARRANGEMENT
S P D T

5A 1/10HP - 125 OR 250 VAC



SCALE FULL DO NOT SCALE PRINT

UNLESS OTHERWISE SPECIFIED TOLERANCES ARE

ONE PLACE (.0) ± .030

TWO PLACE (.00) ± .015

THREE PLACE (.000) ± .005

ANGLES ±

WEIGHT

914CE16-AQ
 M
 DRAWING NUMBER
 1
 ISSUE
 REVISIONS
 CHECK
 CHECK
 DDM/CAD
 DRAWN
 SA V 29 OCT 91
 CHECK
 REPLACES
 RELEASE NO. CO-69061