

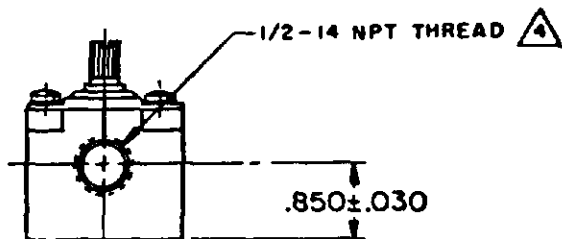
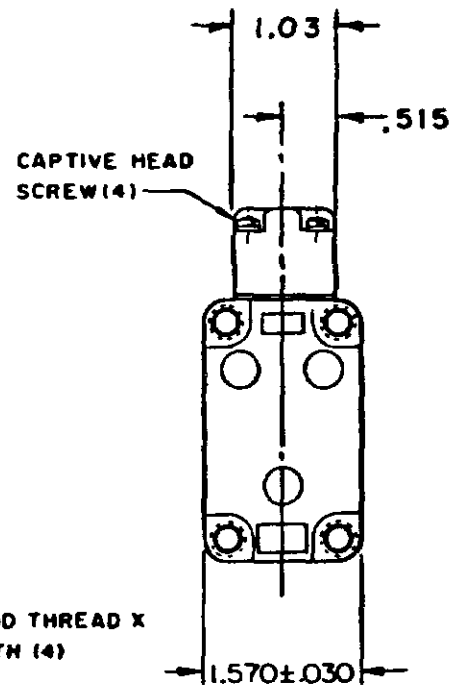
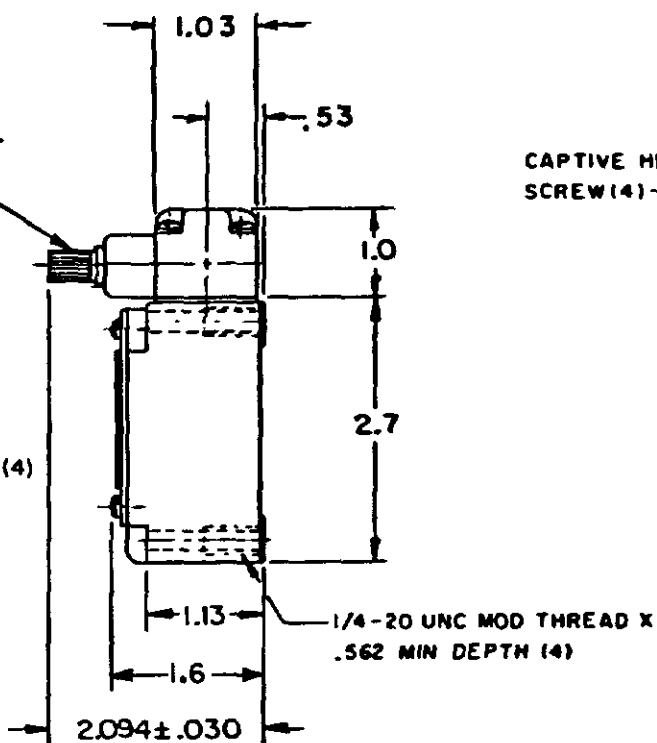
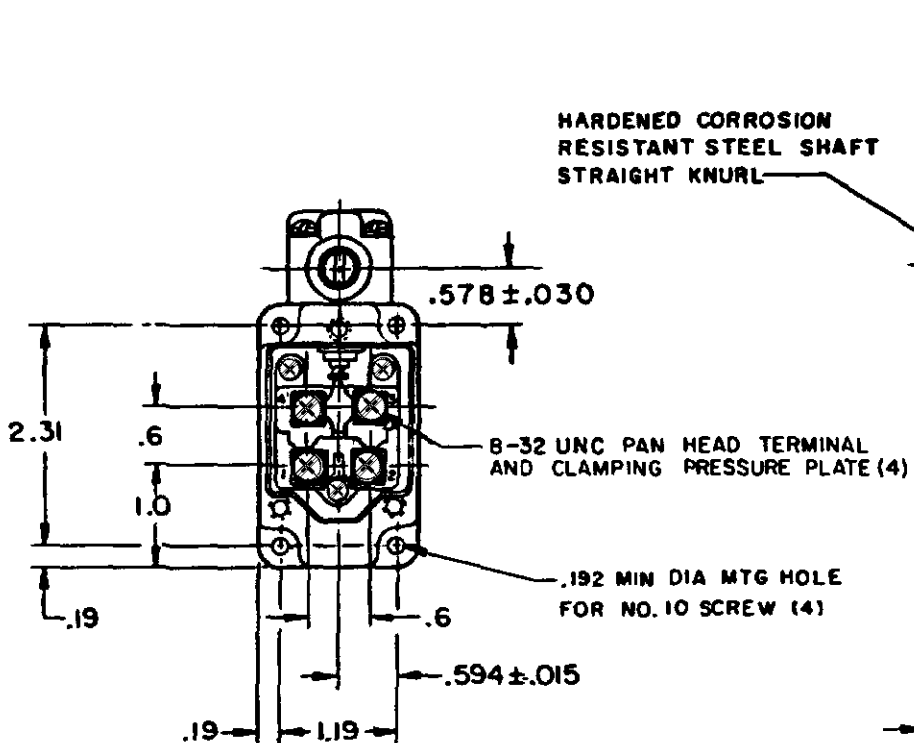
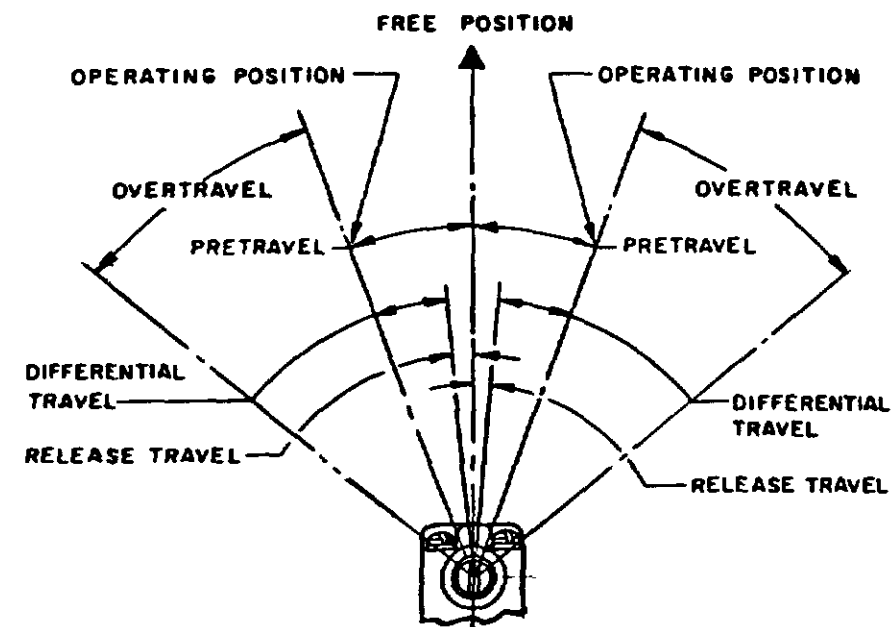
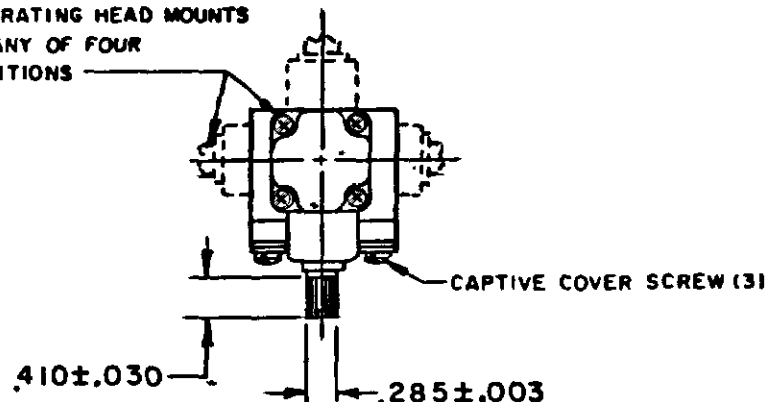
H MICRO SWITCH
 FREEPORT, ILLINOIS, U.S.A.
 A DIVISION OF HONEYWELL
 FED. MFG. CODE 8192B

SWITCH - ENCLOSED

CATALOG LISTING
1LS312-L



OPERATING HEAD MOUNTS
 IN ANY OF FOUR
 POSITIONS



THIS DRAWING COVERS A PROPRIETARY ITEM AND IS THE PROPERTY OF MICRO SWITCH, A DIVISION OF MINNEAPOLIS-HONEYWELL REGULATOR CO. THIS DRAWING IS NOT TO BE COPIED OR USED WITHOUT THE APPROVAL OF MICRO SWITCH.

CHARACTERISTICS	ELECTRICAL DATA	SCALE 1/2 TO 1
OPERATING TORQUE - 4 1/2 IN LB MAX	CONTACT ARRANGEMENT (SEE CIRCUIT DIAGRAM)	DO NOT SCALE PRINT
FULL OVERTRAVEL TORQUE - 6 IN LB MAX	L126 10A 125, 250 OR 480 VAC 1/3HP 125 VAC, 3/4HP 250 VAC 0.8A 125 VDC, 0.4A 250 VDC	UNLESS OTHERWISE NOTED
RELEASE TORQUE - 3/4 IN LB MIN		DIMENSIONS ARE IN INCHES
PRETRAVEL - 20° MAX		TOLERANCES ARE:
DIFFERENTIAL TRAVEL - 12° MAX		ONE PLACE (.01) 2.000
OVERTRAVEL - 30° MIN		TWO PLACE (.00) 2.015
RELEASE TRAVEL - 5° MIN	THREE PLACE (.000) 2.000	
SWITCH-BASIC REPLACEMENT - 2MN301-L	ANGLES 2	WEIGHT

NOTES

- SWITCH IS ASSEMBLED FOR ACTUATION IN EITHER DIRECTION BUT MAY BE ADJUSTED TO ACTUATE THE SWITCH IN THE CLOCKWISE DIRECTION ONLY, THE COUNTERCLOCKWISE DIRECTION ONLY, OR IN BOTH DIRECTIONS
- TO CONVERT SWITCH FOR ACTUATION IN EITHER THE CLOCKWISE OR COUNTERCLOCKWISE DIRECTION ONLY, REMOVE ACTUATOR HEAD AND ROTATE THE NOTCHED PLUNGER 90° TO THE RIGHT FOR CLOCKWISE ACTUATION OR 90° TO THE LEFT FOR COUNTERCLOCKWISE ACTUATION
- ALUMINUM BODY HOUSING FINISHED IN GRAY PAINT
- SEAL TO BE FURNISHED BY USER

1LS312-L

PAGE 1 OF 1

REPLACES
 RELEASE NO. PR-20382

M

DRAWING NUMBER

ISSUE 2

CHECK

REVISIONS

A C076997
 GJW
 11 APR 95

CHECK

2 NOV 92

PAW

CHECK

2 NOV 92

FORMTEK

LJF

