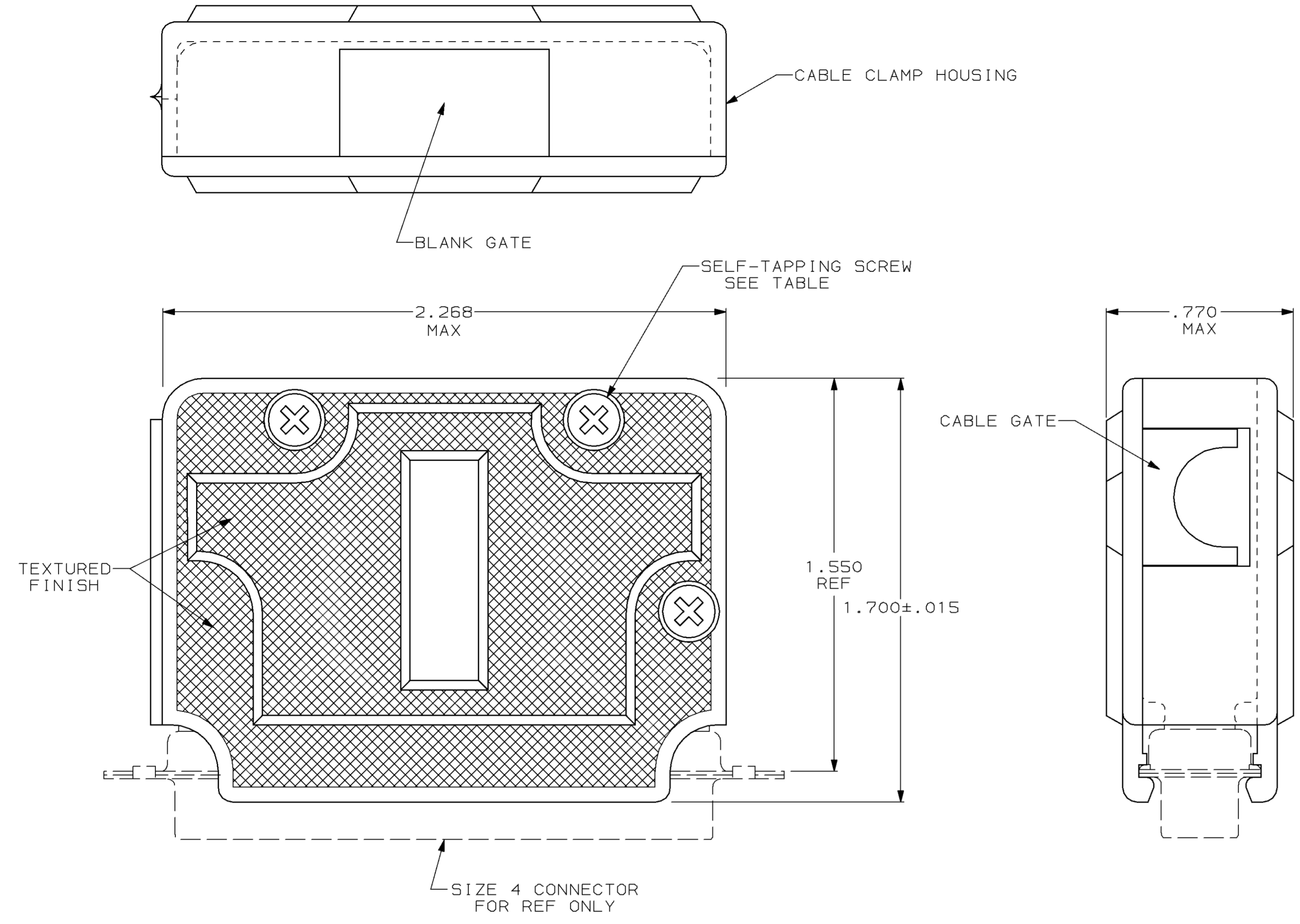
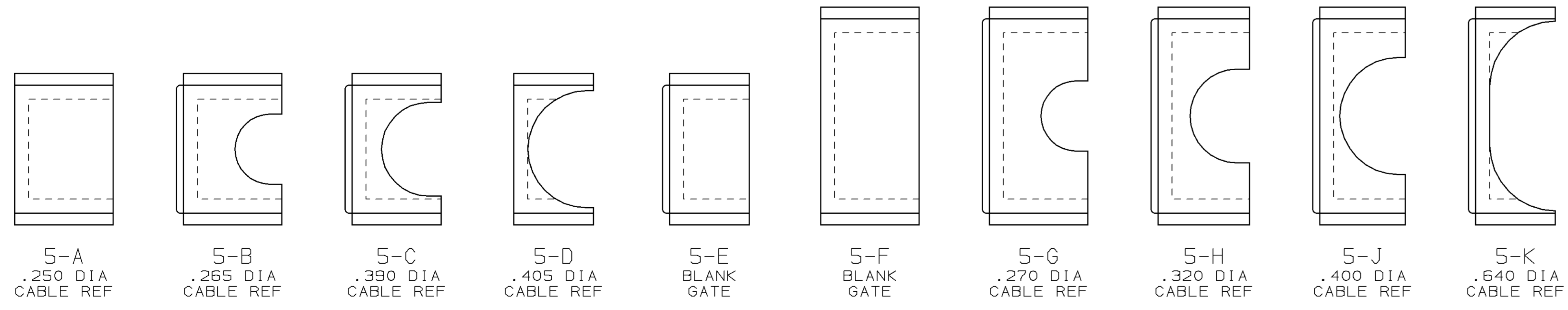


DRAWING MADE IN THIRD ANGLE PROJECTION
 THIS DRAWING IS UNPUBLISHED. RELEASED FOR PUBLICATION
 © COPYRIGHT 19 BY AMP INCORPORATED, HARRISBURG, PA. ALL INTERNATIONAL RIGHTS RESERVED. AMP PRODUCTS MAY BE COVERED BY U.S. AND FOREIGN PATENTS AND/OR PATENTS PENDING.

LOC		DIST		P		F		ZONE		LTR		REVISIONS		DATE	APPD
BD	48												DESCRIPTION	19 DEC 95	JS
													REV PER EC 0020-1140-95		



- PARTS PACKAGED UNASSEMBLED.
 - CABLE GATES ARE INTERCHANGEABLE ALLOWING 90° & 180° CABLE EXIT.
- ⚠ COMPONENTS INDIVIDUALLY BULK PACKED AND SHIPPED AS A UNIT PACKAGE KIT.



GATES

OBSELETE	SLOTTED	AS SHOWN	207473-4
OBSELETE	SLOTTED	AS SHOWN	207473-3
	CROSS-RECESSED	AS SHOWN	207473-2
	CROSS-RECESSED	AS SHOWN	207473-1
	SCREW VERSION	PACKAGING	PART NUMBER

UNLESS OTHERWISE SPECIFIED DIMENSIONS ARE IN INCHES TOLERANCES ON :		DR 9-16-86 S. WELDON	AMP AMP INCORPORATED Harrisburg, Pa. 17105
2 PL DEC ± .005		CHK 9-16-86 C. RICHARD	
3 PL DEC ± .005		APPD 9-16-86 S. SCHUFERLY	NAME
ANGLES ± .		APPD 9-16-86 V. KUMAR	CABLE CLAMP KIT, SIZE 4, ONE PIECE, 90° & 180° EXIT, AMPLIMITE
MATERIAL	MOLDED PARTS: POLYPROPYLENE, COLOR: BLACK	PRODUCT SPEC	
SCREWS:	STEEL PER ASTM A108		
FINISH	SCREWS: ZINC PHOSPHATE PER MIL-P-16232.	APPLICATION SPEC	SIZE D FSCM NO 00779 DRAWING NO 207473
		WEIGHT	SCALE NTS SHEET 1 OF 1