

10 9 8 7 6 5 4 3 2 1

F

E

D

C

B

A

F

E

D

C

B

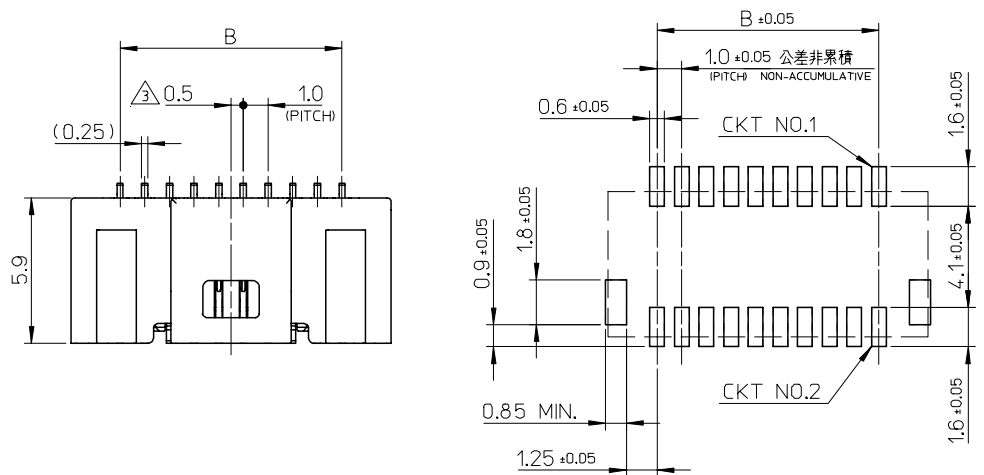
A

| 番号 NO. | 部品 PART | 材質 MATERIAL |
|-----------|----------------------|--|
| ① | ウエハー WAFER | 耐熱ナイロン、UL94V-0、色：自然色 HEAT RESISTANCE NYLON, UL94V-0, COLOR:NATURAL |
| ② | ソルダーピン SOLDER PIN | りん青銅 PHOSPHOR BRONZE 金メッキ : 0.1 MICRO METER MINIMUM. GOLD PLATING ニッケル下地メッキ : 1 MICRO METER MINIMUM. NICKEL UNDER PLATING |
| ③ | ネイル NAIL | 黄銅 BRASS すずメッキ : 1 MICRO METER MINIMUM. TIN PLATING ニッケル下地メッキ : 1 MICRO METER MINIMUM. NICKEL UNDER PLATING |

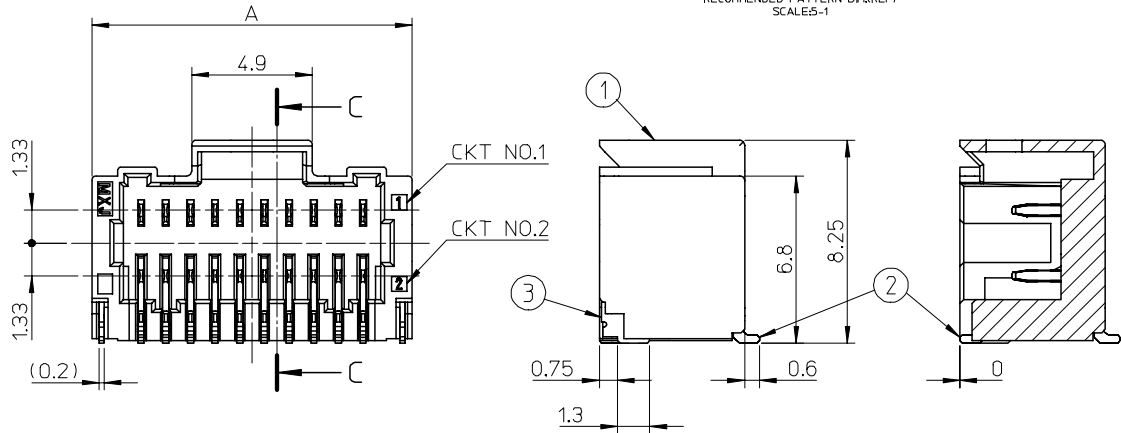
NOTES

- 1. かん合相手 : 501189-****
MATE WITH : 501189-****
- 2. ソルダーピン及びネイルの平坦度は0.1MAX.
SOLDER PIN AND NAIL COPLANARITY TO BE 0.1MAX.
- △ 極数/2 = 偶数に適用
APPLY FOR CKT SIZE/2=EVEN

| | | | | |
|----|----|--------------|-----|--------------|
| 24 | 28 | 501571-5009 | 50 | 501571-**-09 |
| 19 | 23 | 501571-4009 | 40 | |
| 14 | 18 | 501571-3009 | 30 | |
| 9 | 13 | 501571-2009 | 20 | |
| B | A | MATERIAL NO. | CKT | MODEL NO. |

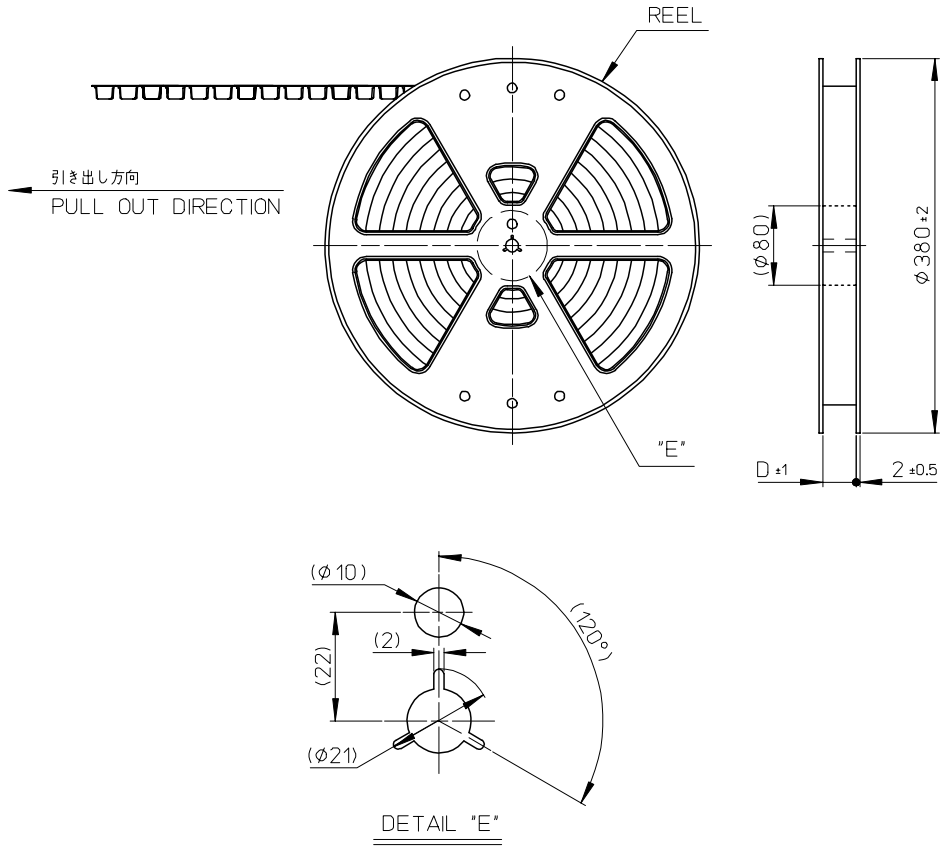


参考パターンレイアウト
RECOMMENDED PATTERN DIM.(REF)
SCALE:5-1



SECTION C-C

| | | | | | | | |
|---|--|-------|----------------------------|------------------------|--|-------------------------------|---------------------|
| REVISED EC NO: J2005-2457 DRWN: TRSUZUKI 2005/03/31 CHKD: MYAGI 2005/03/31 APPR: ANODA 2005/04/06 | GENERAL TOLERANCES (UNLESS SPECIFIED) | | SCALE 5:1 | DESIGN UNITS METRIC | THIRD ANGLE PROJECTION | REVISE ON CAD ONLY | |
| | 10 UNDER | ±0.2 | DIMENSION STYLE MM ONLY | | TITLE 1.0 WIRE TO BOARD CONN. 2-ROW R/A WAFER ASSY -LEAD FREE- | | |
| | 10 OVER 30 UNDER | ±0.25 | DRAWN BY TRSUZUKI | DATE 2005/02/14 | MOLEX INCORPORATED | | |
| | 30 OVER | ±0.3 | CHECKED BY MYAGI | DATE 2005/02/14 | MATERIAL NO. SEE CHART | DOCUMENT NO. SD-501571-001 | SHEET NO. 1 OF 1 |
| | ANGULAR | ± ° 3 | APPROVED BY ANODA | DATE 2005/02/14 | THIS DRAWING CONTAINS INFORMATION THAT IS PROPRIETARY TO MOLEX INCORPORATED AND SHOULD NOT BE USED WITHOUT WRITTEN PERMISSION | | |
| DRAFT WHERE APPLICABLE MUST REMAIN WITHIN DIMENSIONS | | A3 | | | | | |



NOTES

- 製品詳細寸法については SD-501571-001 を参照ください。
RE DETAILED DIMENSION, SEE SD-501571-001
- 梱包数量： 800 個/リール
NUMBER OF CONNECTORS： 800 PIECES/REEL
- リードテープ長さ
LEAD TAPE LENGTH
- トップテープの剥離強度： 0.1 ~ 1.3N (10.2 ~ 132.5gf) (剥離方向は下図参照)
PEELING OFF FORCE OF TOP TAPE (PEELING DIRECTION AS SHOWN IN FOLLOWING FIGURE)
尚、本規格値は、出荷時に適用。(但し、輸送時に剥離が発生しないこと)
THIS REQUIREMENT SHOULD BE APPLIED AT SHIPMENT. PEEL OFF SHOULD NOT BE ALLOWED, DURING TRANSPORTATION.
- 材料
MATERIAL
キャリアテープ：ポリプロピレン
CARRIER TAPE: POLYPROPYLENE
トップテープ：PET, PE, REF
TOP TAPE
リール：ポリスチレン (リサイクル材を含む)
REEL: POLYSTYRENE (RECYCLE MATERIAL CONTAINED)

| | | | | | | | | |
|---|---------------------------------------|--|-----------------------------|--|---------------------|---|------------------------|--|
| RELEASED EC NO: J2005-2381 DRAWN: TRSUZUKI 2005/02/15 CHKD: MYAGI 2005/02/15 APPR: ANODA 2005/02/24 REV: 0 | GENERAL TOLERANCES (UNLESS SPECIFIED) | | DIMENSION STYLE MM ONLY | | SCALE --- | DESIGN UNITS METRIC | THIRD ANGLE PROJECTION | |
| | 10 UNDER | ±0.2 | DRAWN BY TRSUZUKI | | DATE 2005/02/14 | TITLE 1.0 WIRE TO BOARD CONN. 2-ROW R/A WAFER ASSY EMBTP PKG -LEAD FREE- | | |
| | 10 OVER 30 UNDER | ±0.25 | CHECKED BY MYAGI | | DATE 2005/02/14 | MOLEX INCORPORATED | | |
| | 30 OVER | ±0.3 | APPROVED BY ANODA | | DATE 2005/02/14 | DOCUMENT NO. SD-501571-002 | | |
| | ANGULAR | ±3 ° | MATERIAL NO. SEE SHEET 2 | | SHEET NO. 1 OF 2 | | SHEET NO. 1 OF 2 | |
| DRAFT WHERE APPLICABLE MUST REMAIN WITHIN DIMENSIONS | | SIZE THIS DRAWING CONTAINS INFORMATION THAT IS PROPRIETARY TO MOLEX INCORPORATED AND SHOULD NOT BE USED WITHOUT WRITTEN PERMISSION | | | | | | |

10 9 8 7 6 5 4 3 2 1

F

E

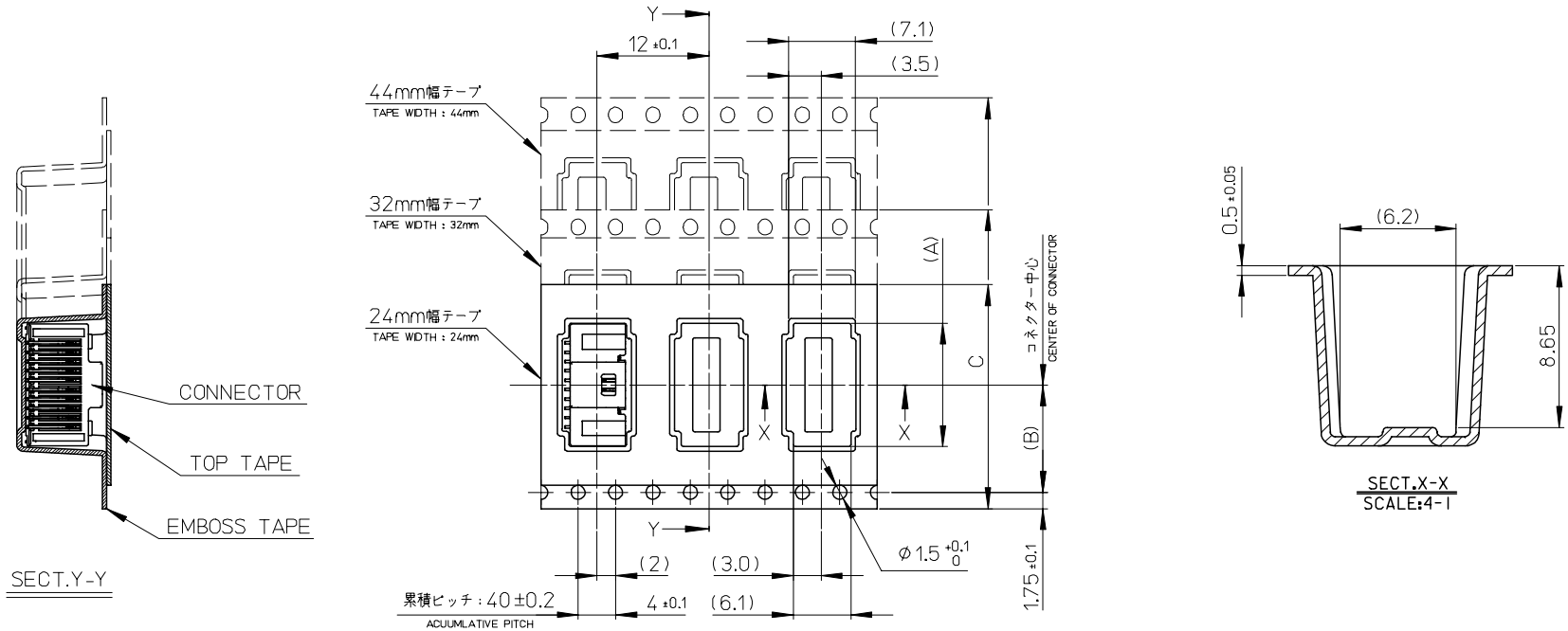
D

C

B

A

引き出し方向
PULL OUT DIRECTION



| | | | | | | |
|------|--------|------|------|-------------|--------------|-------|
| 45.5 | 44±0.3 | 20.2 | 28.3 | 501571-5009 | 501571-5007 | 50 |
| | | | 23.3 | 501571-4009 | 501571-4007 | 40 |
| 33.5 | 32±0.3 | 14.2 | 18.3 | 501571-3009 | 501571-3007 | 30 |
| 25.5 | 24±0.3 | 11.5 | 13.3 | 501571-2009 | 501571-2007 | 20 |
| D | C | (B) | (A) | CONNECTOR | MATERIAL NO. | CKTS. |

| | | | | | | | |
|--|--|-------|----------------------------|--------------------|--|------------------------|------------------------|
| RELEASED EC NO: J2005-2381 DRAWN: TRSUZUKI CHKD: MYAGI APPR: ANODA 2005/02/15 2005/02/15 2005/02/24 | GENERAL TOLERANCES (UNLESS SPECIFIED) | | DIMENSION STYLE MM ONLY | | SCALE --- | DESIGN UNITS METRIC | THIRD ANGLE PROJECTION |
| | 10 UNDER | ±0.2 | DRAWN BY TRSUZUKI | DATE 2005/02/14 | TITLE 1.0 WIRE TO BOARD CONN. 2-ROW R/A WAFER ASSY EMBTP PKG -LEAD FREE- | | |
| | 10 OVER 30 UNDER | ±0.25 | CHECKED BY MYAGI | DATE 2005/02/14 | MOLEX INCORPORATED | | |
| | 30 OVER | ±0.3 | APPROVED BY ANODA | DATE 2005/02/14 | DOCUMENT NO. SD-501571-002 | SHEET NO. 2 OF 2 | |
| | ANGULAR | ±3° | MATERIAL NO. SEE CHART | | | | |
| 0 | DRAFT WHERE APPLICABLE MUST REMAIN WITHIN DIMENSIONS | | SIZE A3 | | THIS DRAWING CONTAINS INFORMATION THAT IS PROPRIETARY TO MOLEX INCORPORATED AND SHOULD NOT BE USED WITHOUT WRITTEN PERMISSION | | |

9

8

7

6

5

4

3

2