

Miscellaneous Accessories

Jam Nuts, Splice Rings, Dummy Contacts, Grommet Nuts, Bushings

MS3186 Hex Jam Nut for M26482, M83723, AS50151, M38999 series I, M26500 and M28840 connectors



MS3186 hex nuts fit jam nut mounting mil spec circular connectors. Available in aluminum, cold-rolled steel and stainless steel in a variety of finishes, these jam nuts have drilled safety wire holes. Jam nuts for bayonet connectors have one or two slots to fit over bayonet pins.

TABLE 2 FINISH

Aluminum (Material Code A)

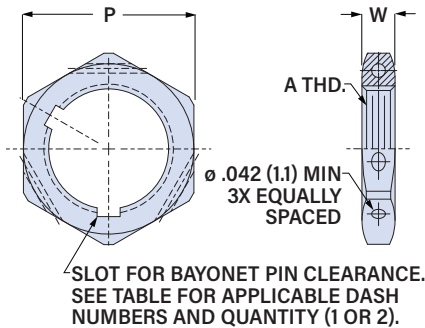
- A** Black Anodize
- C** Clear Cadmium
- M** Nickel-PTFE
- N** Electroless Nickel
- W** Olive Drab Cadmium
- Z** Black Zinc-Nickel

Stainless Steel (Material Code C)

- B** Black Cadmium
- E** Electrodeposited Nickel
- P** Passivate
- W** Olive Drab Cadmium

Cold-Rolled Steel (Material Code S)

- T** Tin



PART NUMBER

MS3186	A	113	W
Base P/N	MS3186		
Material	A Aluminum C Stainless Steel S Cold-Rolled Steel		
Dash Number	See Table 1		
Finish	See Table 2		

TABLE 1 DASH NUMBER

AS50151		MIL-DTL-26482 M83723 SER. I		MIL-DTL-83723 SERIES III		MIL-DTL-38999 Series I		MIL-DTL-38999 Series II		MIL-DTL-26500		MIL-DTL-28840	
Shell Size	Dash No.	Shell Size	Dash No.	Shell Size	Dash No.	Shell Size	Dash No.	Shell Size	Dash No.	Shell Size	Dash No.	Shell Size	Dash No.
8	101	8	102	8	105	9	106	8	109	8	104	A (11)	109
10	103	10	106	10	107	11	108	10	111	10	107	B (13)	111
12	107	12	109	12	110	13	111	12	113	12	110	C (15)	114
14	109	14	111	14	111	15	113	14	116	14	111	D (17)	116
16	111	16	113	16 ⁽¹⁾	112	17	116	16	117	16	112	E (19)	118
18	113	18	116	16 ⁽²⁾	113	19	117	18	120	18	115	F (23)	121
20	116	20	117	18	116	21	120	20	121	20	117	G (25)	122
22	117	22	120	20	117	23	121	22	122	22	119	H (29)	124
24	120	24	121	22	120	25	122	24	123	24	121	J (33)	126
28	122			24	121								
32	125			(1) Bayonet									
36	127			(2) Threaded									
40	128												
44	129												
48	130												

Dash No.	A Thread	P Hex			W	
		± .017 (0.4) in	mm	Number of Slots	± .017 (0.4) in	mm
101	.500-28 UNEF-2B	.687	17.4	None	.125	3.2
102	.5625-24 UNEF-2B	.750	19.1	2	.125	3.2
103	.625-24 UNEF-2B	.812	20.6	None	.125	3.2
104	.625-20 UN-2B	.812	20.6	2	.125	3.2
105	.625-20 UN-2B	.812	20.6	2	.125	3.2
106	.6875-24 UNEF-2B	.875	22.2	1	.125	3.2
107	.750-20 UNEF-2B	.937	23.8	2	.125	3.2
108	.8125-20 UNEF-2B	1.000	25.4	1	.125	3.2
109	.875-20 UNEF-2B	1.062	27.0	1	.125	3.2
110	.9375-20 UNEF-2B	1.125	28.6	1	.125	3.2
111	1.000-20 UNEF-2B	1.188	30.2	1	.125	3.2
112	1.125-20 UN-2B	1.312	33.3	1	.125	3.2
113	1.125-18 UNEF-2B	1.312	33.3	1	.125	3.2
114	1.1875-18 UNEF-2B	1.375	34.9	None	.125	3.2
115	1.250-20 UN-2B	1.438	36.5	None	.125	3.2

Dash No.	A Thread	P Hex			W	
		± .017 (0.4) in	mm	Number of Slots	± .017 (0.4) in	mm
116	1.250-18 UNEF-2B	1.438	36.5	1	.125	3.2
117	1.375-18 UNEF-2B	1.562	39.7	1	.125	3.2
118	1.4375-18 UNEF-2B	1.625	41.3	None	.125	3.2
119	1.500-20 UN-2B	1.688	42.9	None	.125	3.2
120	1.500-18 UNEF-2B	1.688	42.9	1	.125	3.2
121	1.625-18 UNEF-2B	1.812	46.0	1	.125	3.2
122	1.750-18 UNS-2B	2.000	50.8	1	.125	3.2
123	1.875-16 UN-2B	2.125	54.0	None	.125	3.2
124	1.9375-16 UN-2B	2.187	55.5	None	.189	4.8
125	2.000-18 UNS-2B	2.250	57.2	None	.189	4.8
126	2.125-16 UN-2B	2.375	60.3	None	.189	4.8
127	2.250-16 UN-2B	2.500	63.5	None	.189	4.8
128	2.500-16 UN-2B	2.750	69.9	None	.189	4.8
129	2.750-16 UN-2B	3.000	76.2	None	.189	4.8
130	3.000-16 UN-2B	3.250	82.6	None	.189	4.8