

plug - with screwless terminals

Product description

| | |
|------------------------|--|
| Order number | 2136 |
| EAN/pcs | 4024941021364 |
| Product Group | Quick-Connect plug with Multi-Grip cable gland |
| Amperage | 16A |
| Poles | 5p (3p+N+PE) |
| Earth 'Clock' Position | 6 h |
| Voltage | 200/346 up to 240/415V |
| Frequency | 50 and 60Hz |
| Protection | IP44 |
| Color code | red RAL 3000 |
| Connection Design | screwless spring-clamp technology |
| Max. conductor | 2,5 mm ² |

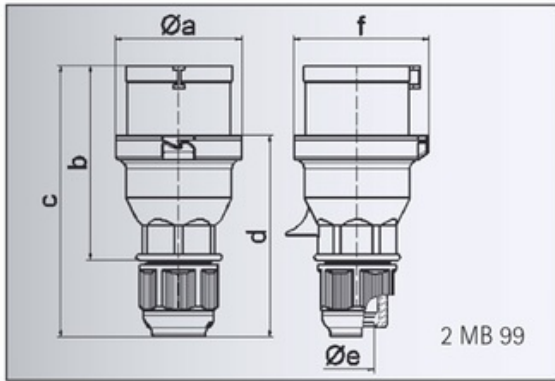


Further Information

| | |
|----------------------------------|---|
| Additional technical information | For cable diameter from 8 up to max. 18 mm Screwless housing connection with snap fastening Multi-Grip cable gland with gasket and integrated strain relief |
|----------------------------------|---|

Material

| | |
|---------------------------|---|
| Material of Enclosure | Polyamide |
| Contact / Contact Carrier | contact carrier made of polyamide, the contacts are brass |
| Weight/pcs | 0.140 kg |
| Packaging unit | 10 pcs |



| | | | | | | |
|----------------------------|-------|-------|-------|-------|-------|-------|
| Ampere | 16 | 16 | 16 | 32 | 32 | 32 |
| Polzahl | 3 | 4 | 5 | 3 | 4 | 5 |
| a ø | 53,0 | 60,0 | 66,0 | 74,5 | 74,5 | 74,5 |
| b | 93,5 | 100,5 | 103,0 | 121,0 | 121,0 | 121,5 |
| c | 134,0 | 141,0 | 142,0 | 174,0 | 174,0 | 174,5 |
| d | 97,5 | 104,5 | 105,5 | 128,0 | 128,0 | 128,5 |
| e ø | 18,0 | 18,0 | 18,0 | 23,0 | 23,0 | 23,0 |
| f | 57,5 | 64,5 | 70,5 | 78,0 | 78,0 | 80,0 |
| Leiter mm ² min | 1 | 1 | 1 | 2,5 | 2,5 | 2,5 |
| Leiter mm ² max | 2,5 | 2,5 | 2,5 | 6 | 6 | 6 |
| | | | | | | |
| | | | | | | |
| | | | | | | |