

### SMA Female Jack to BMA Female Jack

Model Number

ADT-2767-SF-BMF-02

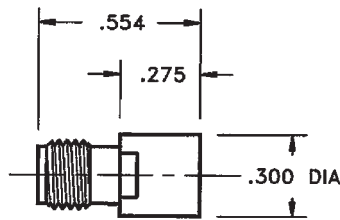
#### SPECIFICATIONS

Frequency: DC - 18.0 GHz

VSWR: 1.05 + .005 f (GHz)

Impedance: 50 Ohms

Finish: Passivated Stainless Steel



### SMA Female Jack to BMA Female Jack - Floating Panel Mount

Model Number

ADT-2808-SF-BMF-02

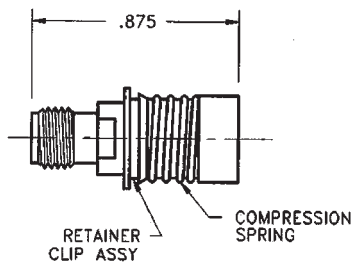
#### SPECIFICATIONS

Frequency: DC - 18.0 GHz

VSWR: 1.05 + .005 f (GHz)

Impedance: 50 Ohms

Finish: Passivated Stainless Steel



### SMA Female Jack to BMA Female Jack - Floating Panel Mount

Model Number

ADT-2809-SF-BMF-02

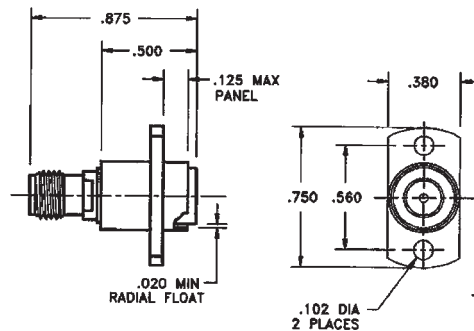
#### SPECIFICATIONS

Frequency: DC - 18.0 GHz

VSWR: 1.05 + .005 f (GHz)

Impedance: 50 Ohms

Finish: Passivated Stainless Steel



# Mouser Electronics

Authorized Distributor

Click to View Pricing, Inventory, Delivery & Lifecycle Information:

[Cinch Connectivity Solutions:](#)

[ADT-2809-SF-BMF-02](#)