

THIS DOCUMENT CONTAINS PROPRIETARY DATA OF POLARIS INDUSTRIAL ENTERPRISES, INC. NO DISCLOSURE, REPRODUCTION, OR USE OF ANY PART THERE OF MAY BE MADE EXCEPT BY WRITTEN PERMISSION.

REV.	BY	DATE	APPRVL.	P/N	RV4NAYSJ

SPECIFICATIONS

RESISTANCE RANGE ----- 1K,5K,10K
 RESISTANCE TOLERANCE ----- ±10%
 POWER RATING -----2 WATTS @70°C
 DERATED TO 0 WATTS AT 120°C
 MECHANICAL ANGLE ----- 314°
 OPERATING VOLTAGE ----- 500V SUBJECT TO POWER RATING
 INSULATION RESISTANCE ----- DRY: 10K MEG OHM
 WET: 100K MEG OHM
 DIELECTRIC STRENGTH ----- 900 V RMS AT SEA LEVEL
 OPERATING TORQUE ----- 1 OZ/IN TO 6 OZ/IN
 OPERATING TEMPERATURE ----- -65°C TO +125°C
 ROTATIONAL LIFE ----- 25,000 CYCLES

MATERIALS

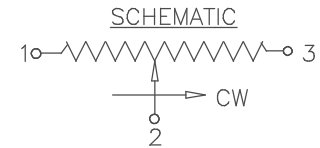
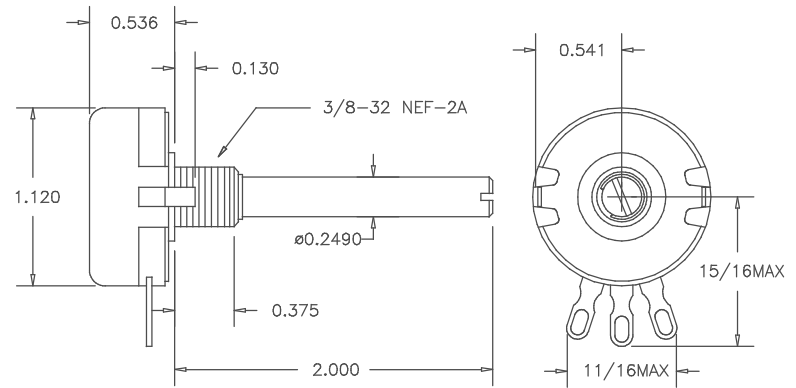
HOUSING ----- STAINLESS STEEL
 TERMINALS ----- GOLD PLATED
 SHAFT ----- STAINLESS STEEL
 RESISTIVE ELEMENT ----- HOT MOLDED CARBON

ENVIRONMENTAL

RESISTANCE TO SOLDERING HEAT ----- 350°C FOR 5 SECONDS
 HUMIDITY RANGE ----- PER MIL-R-94
 VIBRATION RANGE ----- PER MIL-R-94
 SHOCK RESISTANCE ----- PER MIL-R-94
 LOAD LIFE ----- 1000 Hr AT 70°C

OPTIONS

- OTHER STANDARD RESISTANCE VALUES AVAILABLE
- CUSTOM SHAFTS AND BUSHINGS
- SPECIAL TAPERS
- FOURTH (CENTER) TERMINAL
- HIGH LIFE
- ATTACHED SWITCH



<p><u>TOLERANCES</u> XX = +/- .010" FRACT. = +/- 1/64" XXX = +/- .005" ANGLES = +/- 1/2" ALL SPECIFICATIONS SUBJECT TO CHANGE WITHOUT NOTICE.</p>	SCALE	DATE: 12-7-07	ETI SYSTEMS CARLSBAD CALIFORNIA	TITLE SINGLE TURN POTENTIOMETER	PART NO. RV4NAYSJ
	NONE	BY AT			
	CODE	APPR'D	IDENT: 19477		

THIS DOCUMENT CONTAINS PROPRIETARY DATA OF POLARIS INDUSTRIAL ENTERPRISES, INC. NO DISCLOSURE, REPRODUCTION, OR USE OF ANY PART THEREOF MAY BE MADE EXCEPT BY WRITTEN PERMISSION.

REV.	BY	DATE	APPRVL.	P/N	RV4LAYSA

SPECIFICATIONS

RESISTANCE RANGE ----- 5K,10K,50K OHM
 RESISTANCE TOLERANCE ----- ±10%
 POWER RATING ----- 2 WATTS @70°C
 DERATED TO 0 WATTS AT 120°C
 MECHANICAL ANGLE ----- 314°
 OPERATING VOLTAGE ----- 500V SUBJECT TO POWER RATING
 INSULATION RESISTANCE ----- DRY: 10K MEG OHM
 WET: 100K MEG OHM
 DIELECTRIC STRENGTH ----- 900 V RMS AT SEA LEVEL
 OPERATING TORQUE ----- 1 OZ./IN TO 6 OZ./IN
 OPERATING TEMPERATURE ----- -65°C TO +125°C
 ROTATIONAL LIFE ----- 25,000 CYCLES

MATERIALS

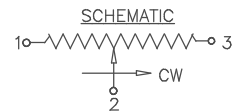
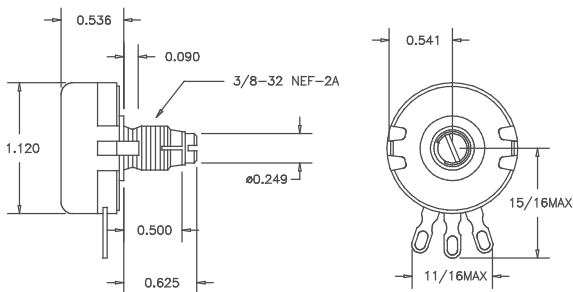
HOUSING ----- STAINLESS STEEL
 TERMINALS ----- GOLD PLATED
 SHAFT ----- STAINLESS STEEL
 RESISTIVE ELEMENT ----- HOT MOLDED CARBON

ENVIRONMENTAL

RESISTANCE TO SOLDERING HEAT ----- 350°C FOR 5 SECONDS
 HUMIDITY RANGE ----- PER MIL-R-94
 VIBRATION RANGE ----- PER MIL-R-94
 SHOCK RESISTANCE ----- PER MIL-R-94
 LOAD LIFE ----- 1000 Hr AT 70°C

OPTIONS

OTHER STANDARD RESISTANCE VALUES AVAILABLE
 CUSTOM SHAFTS AND BUSHINGS
 SPECIAL TAPERS
 FOURTH (CENTER) TERMINAL
 HIGH LIFE
 ATTACHED SWITCH



TOLERANCES
 XX = +/- .010" FRACT. = +/- 1/64"
 XXX = +/- .005" ANGLES = +/- 1/2"
 ALL SPECIFICATIONS SUBJECT TO CHANGE WITHOUT NOTICE.

SCALE	DATE:	12-7-07
	BY	AT
NONE	APPR'D	
	CODE IDENT:	19477



TITLE
 SINGLE TURN
 POTENTIOMETER

PART NO.
 RV4LAYSA

Mouser Electronics

Authorized Distributor

Click to View Pricing, Inventory, Delivery & Lifecycle Information:

ETI Systems:

[RV4NAYSJ103A](#) [RV4NAYSJ502A](#) [RV4LAYS503A](#) [RV4NAYSJ102A](#) [RV4NAYSD502A](#) [RV4LAYS5103A](#)
[RV4NAYSD105A](#) [RV4NAYSD102A](#) [RV4NAYSD101A](#) [RV4NAYSD103A](#) [RV4LAYS502A](#) [RV4NAYSD501A](#)