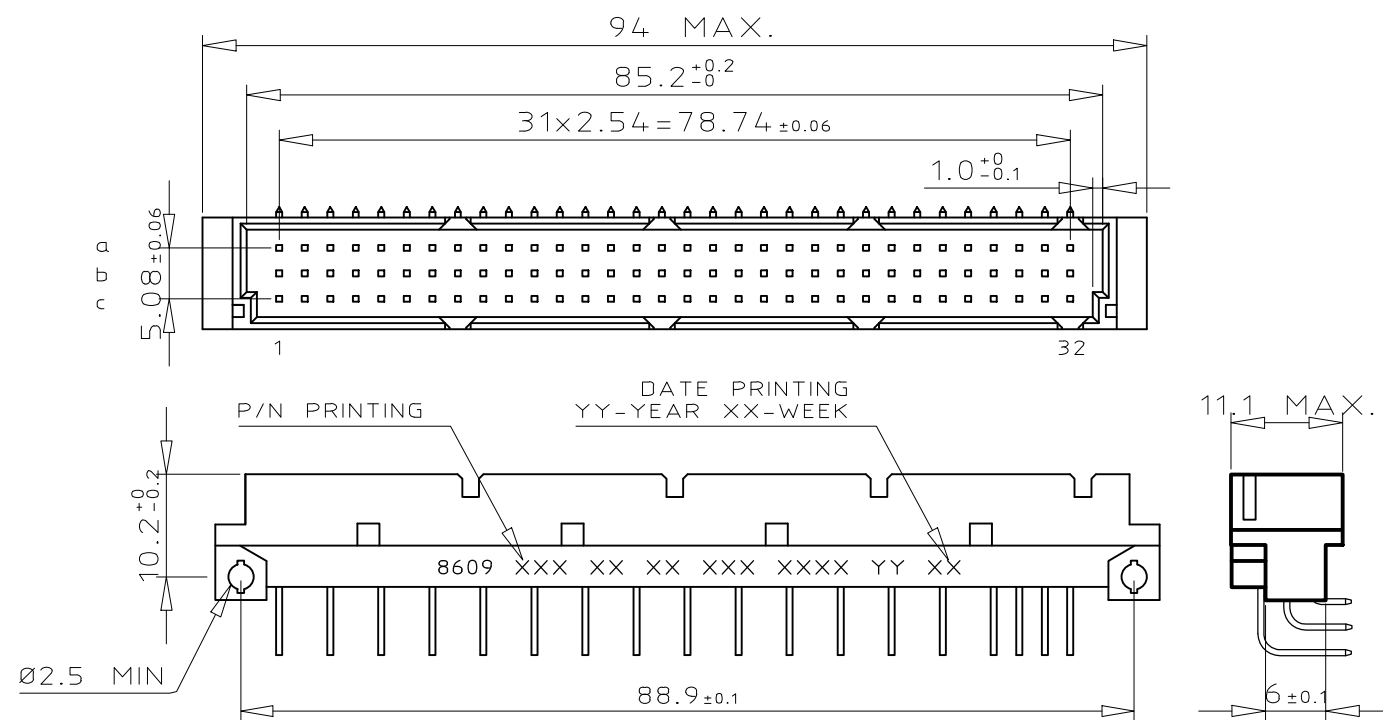
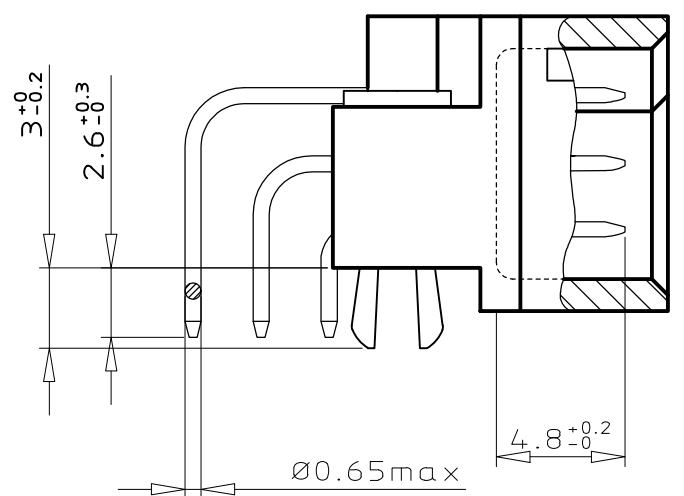


DIMENSIONS



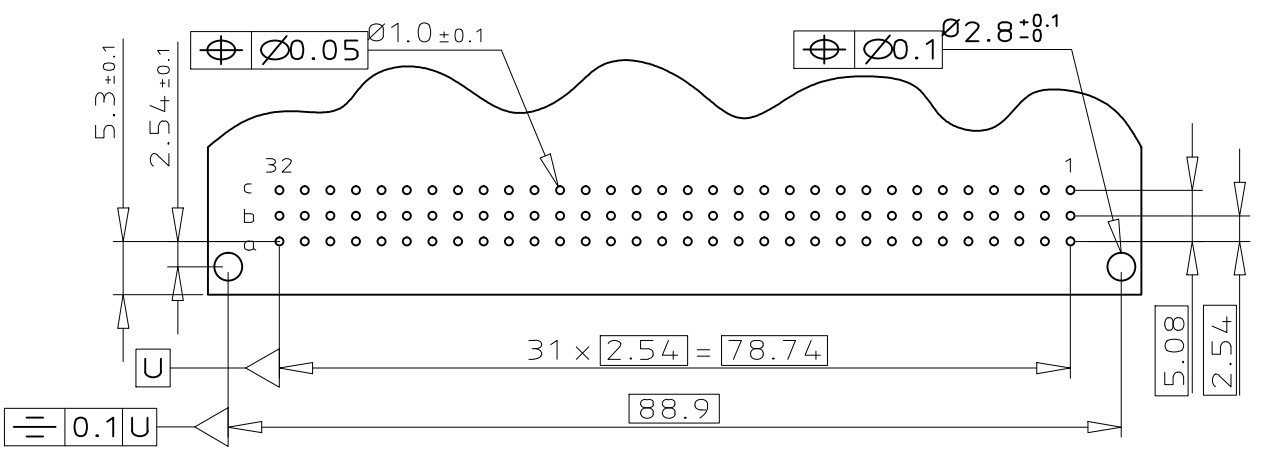
TERMINATION



ORDERING INFORMATION

SERIES	8609	3	51	7	1	13	7	5	0	T	E	L	F
ROWS FITTED WITH CONTACTS													
ROW a	b	c											
NO. OF CONTACTS													
TYPE OF INSULATOR													
3 ROW MALE INSULATOR	7												
METHOD OF MOUNTING													
STANDARD MOUNTING - STYLE C	1												
TERMINATION													
ANGLED SPILL	13												
OPTIONS													
NO OPTION	7												
WITH HARPOONS	H												
PERFORMANCE CLASS													
DIN 41612 CLASS 3	4												
DIN 41612 CLASS 2	5												
DIN 41612 CLASS 1	6												
AS PER MIL C 55302 / JSS 50808	8												
PITCH PER ROW													
MIXED PITCH	0												
LEAD FREE VERSION SPL CONTACTS LOADING	T												

PCB LAYOUT



CONTACT ARRANGEMENT

	1	2	3	4	5	6	7	8	9	10	11	12	13	14	15	16	17	18	19	20	21	22	23	24	25	26	27	28	29	30	31	32	
a	X	X	X	X	X	X	X	X	X	X	X	X	X	X	X	X	X	X	X	X	X	X	X	X	X	X	X	X	X	X	X	X	X
b	X	X	X	X	X	X	X	X	X	X	X	X	X	X	X	X	X	X	X	X	X	X	X	X	X	X	X	X	X	X	X	X	X
c	X	X	X	X	X	X	X	X	X	X	X	X	X	X	X	X	X	X	X	X	X	X	X	X	X	X	X	X	X	X	X	X	X

STANDARD CONTACT
 EMPTY CAVITY
 FMLB CONTACT
 LMEB CONTACT

GENERAL CHARACTERISTICS & RoHS INFO
 REFER DRAWING C-8609-0000A

mat'l. code	surface	tolerance	projection	product family
SEE DRAWING C-8609-0000A	ISO 1302 ✓	ISO 406 ISO 1101		8609
ltr	ecn no	dr	date	title
A	109-0064	KR	2009-04-21	DIN STANDARD HEADER
B	111-0031	MJA	2011-02-11	ANGLED SPILL DIN 41612 STYLE C
				dwg no
				sheet 1 of 1
				size
				A3
				type Product Customer Drawing
sheet index	revision sheet	B	1	

Mouser Electronics

Authorized Distributor

Click to View Pricing, Inventory, Delivery & Lifecycle Information:

[FCI / Amphenol:](#)

[86093517113750TELF](#)