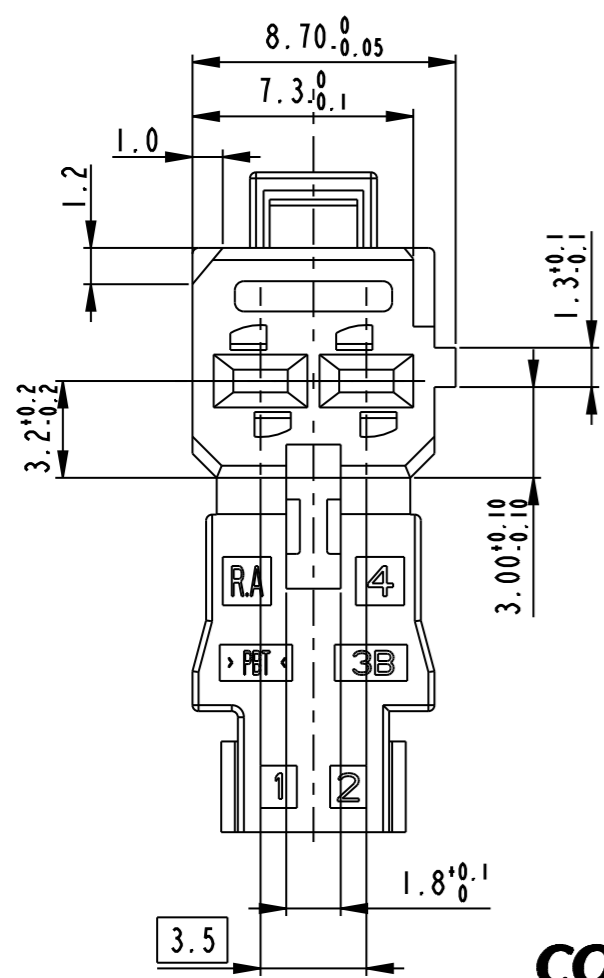
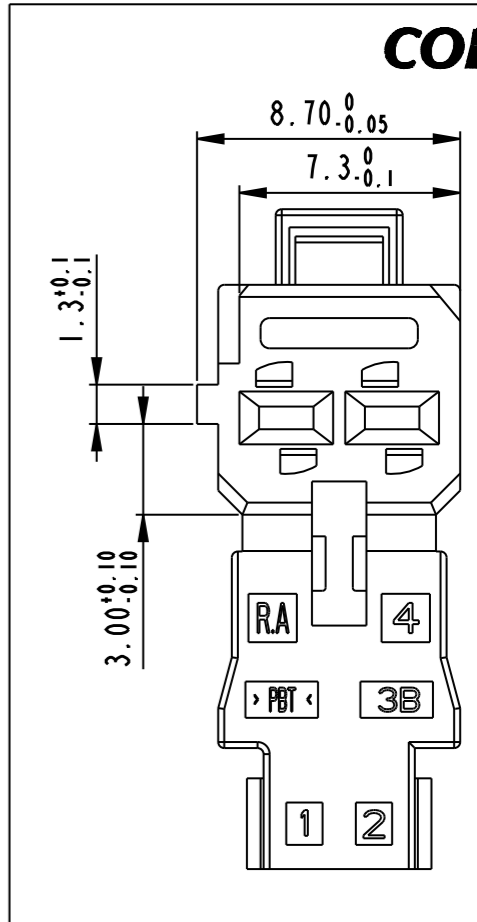
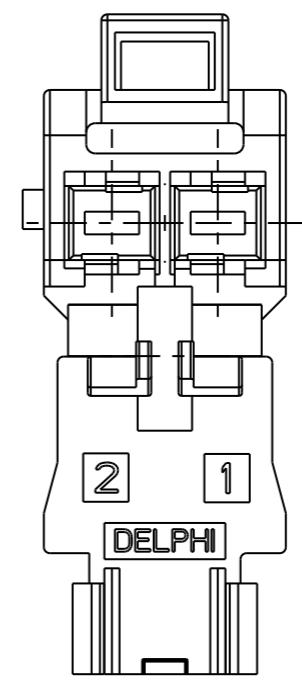
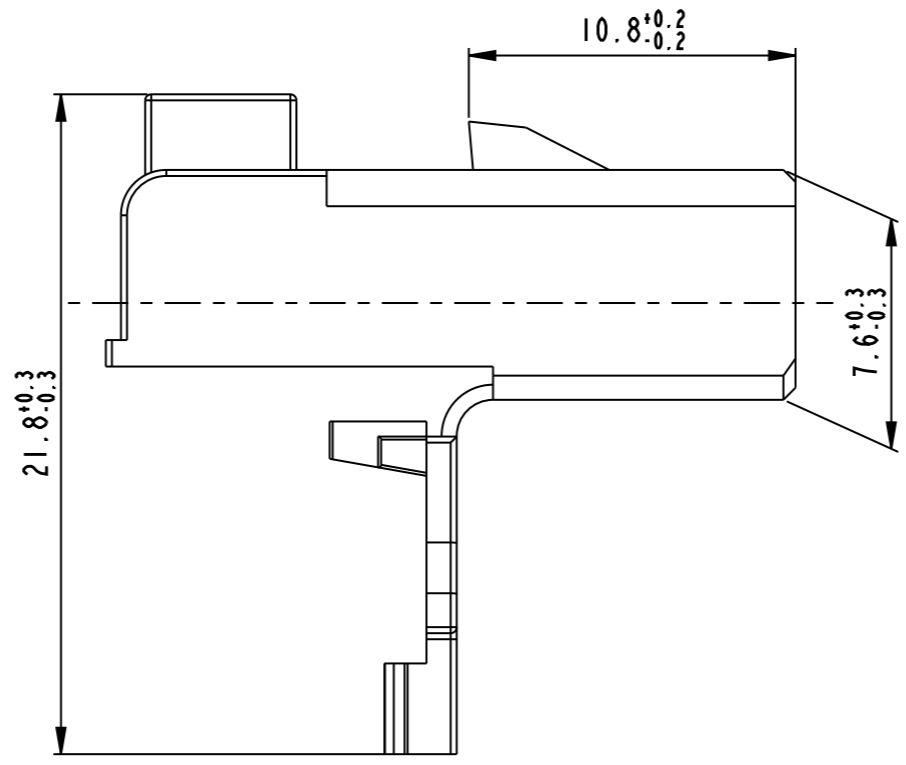


**STRICTLY CONFIDENTIAL**

**CODE B**



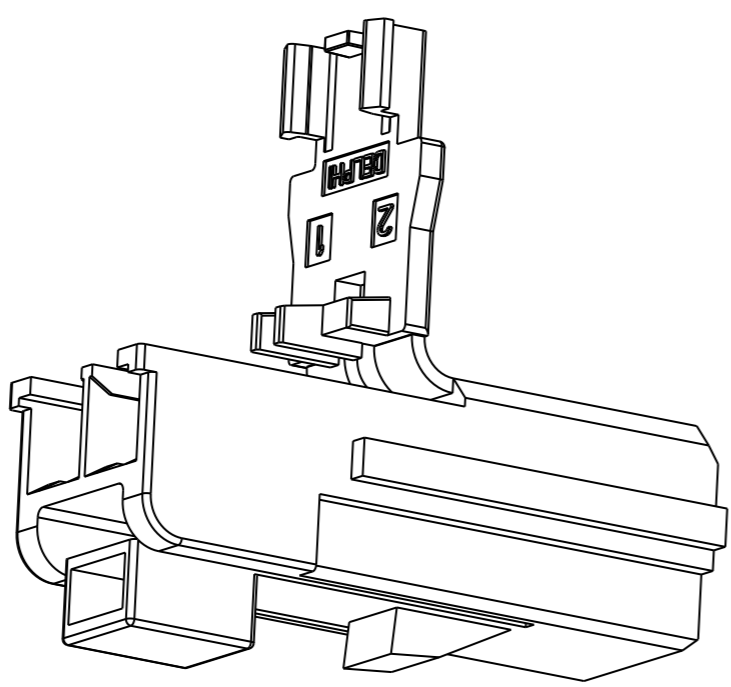
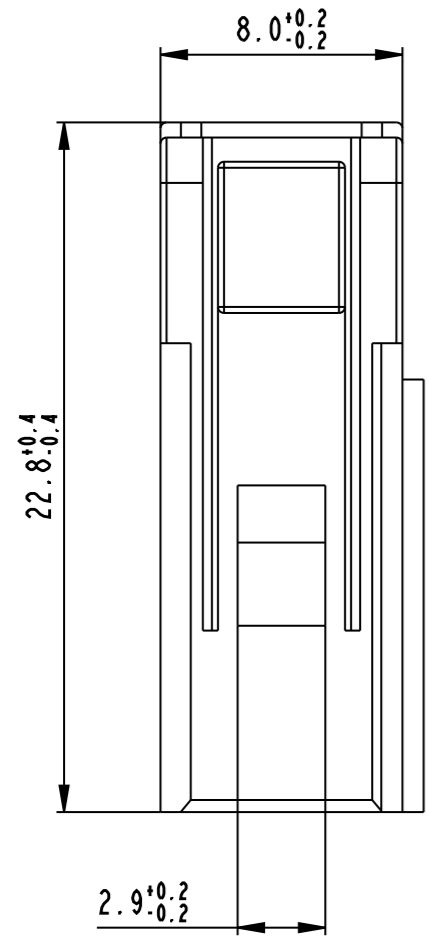
**CODE A**



P/N	CODE	COLOUR
33401180	<b>A</b>	<b>BLACK</b>
33401490	<b>B</b>	<b>GREY</b>

**CAVITIES SUITABLE FOR THE FOLLOWING CTS 150 TERMINALS:**

- 15432237 Wire Range 0.35 mm<sup>2</sup>
- 15432235 Wire Range from 0.5 to 1.0 mm<sup>2</sup>
- 15432233 Wire Range from 1.0 to 1.5 mm<sup>2</sup>



13-01054	25-09-2013	C	-	Updated Secondary Lock Geometry	F.G	M.C.
13-00778	08-07-2013	B	E6	Changed dimension of polarization from 1.2 to 1.8 mm	F.G	M.C.
ECN-NO. NUMERO - ECN	DATE DATA	DD / MM / YY	REVISION REVISIONE	POSITION POSIZIONE	CHANGE DESCRIPTION DESCRIZIONE MODIFICA	
PRODUCT SPEC. SPEC. DI PRODOTTO	PACKAGING SPEC. SPEC. DI IMBALLAGGIO	APPLICATION SPEC. SPEC. DI APPLICAZIONE		COPYRIGHT DELPHI CORPORATION AND/OR ITS AFFILIATES. ALL RIGHTS RESERVED. REVISED THIS DRAWING IS THE PROPERTY OF DELPHI CORPORATION. THE REPRODUCTION, DISTRIBUTION AND UTILIZATION OF THIS DOCUMENT OR ITS RELATED CAD DATA, AS WELL AS COMMUNICATION OF ANY CONTENT TO OTHERS, WITHOUT EXPRESS AUTHORIZATION IS PROHIBITED.		
TOLERANCES TOLLERANZE	± 0.3mm / ±2°	MATERIAL : MATERIALE :	SURFACE FINISH FINITURA SUPERFICIALE		CAD SYSTEM	
COUNTERPART Nr. CONTROPARTE Nr.		COLOUR : COLORE :	PBT SEE TABLE		DELPHI DELPHI PACKARD ELECTRICAL/ELECTRONIC ARCHITECTURE TORINO, ITALY	
DO NOT SCALE DRAWING DISEGNO FUORI SCALA		TOOL NO.	LOC. CODE NAZIONALITA' IT		pro / eng.	
DRAWN BY DISEGNATORE	DATE DATA	NAME NOME	TITLE DESCRIZIONE		DRAWING NUMBER NUMERO DISEGNO	
CHECKED BY CONTROLLATO	04-06-13		<b>2 Way Female Holder With CTS 150 Terminals and Flap</b>		Dwg Size FORMATO <b>A3</b>	
APPROVED BY APPROVATO	04-06-13		ESR NO. NUMERO ESR EU -		SHEET FOGLIO	
			CAT. NO. NUMERO CAT. <b>SEE TABLE</b>		FILE NAME NOME FILE	
			<b>FSC310271 2Way</b>		SCALE SCALA 4:1	

**DELPHI**  
 DELPHI PACKARD ELECTRICAL/ELECTRONIC ARCHITECTURE  
 TORINO, ITALY

**C** ISO PROJECTION  
 PROIEZIONE ISO

DIMENSION IN  
 MILLIMETERS  
 DIMENSIONI IN  
 MILLIMETRI

DWG SIZE  
 FORMATO  
**A3**

SHEET  
 FOGLIO  
**1**

DRAWING NUMBER  
 NUMERO DISEGNO  
**FSC 310271**

FILE NAME  
 NOME FILE  
**FSC310271 2Way**

SCALE  
 SCALA  
**4:1**

# Mouser Electronics

Authorized Distributor

Click to View Pricing, Inventory, Delivery & Lifecycle Information:

[Aptiv:](#)

[33401180](#) [33401490](#)