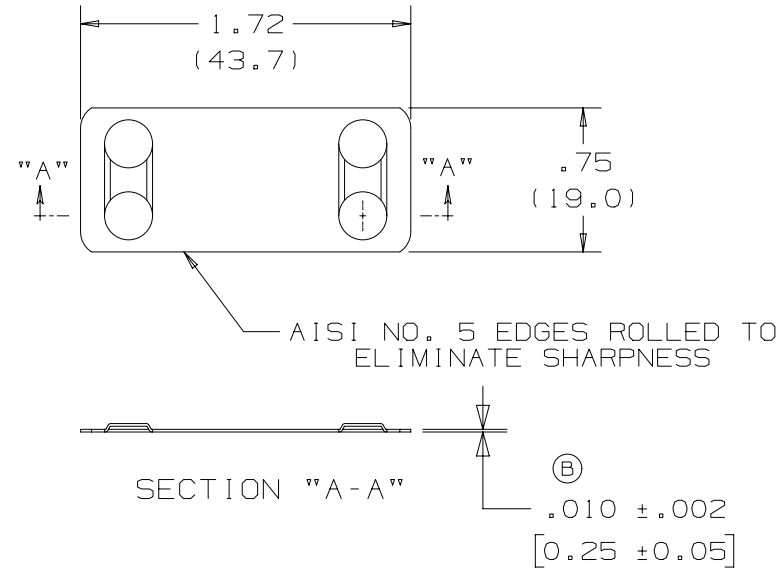


THIS COPY IS PROVIDED ON A RESTRICTED BASIS AND IS NOT TO BE USED IN ANY WAY DETRIMENTAL TO THE INTERESTS OF PANDUIT CORP.

(A)



07A

PART NO.	MATERIAL	PKG. QTY.
MMP172-C	304 S.S.	100
MMP172-C316	316 S.S.	100
MMP172-M	304 S.S.	1000

NOTES:

1. DIMENSION IN () ARE mm.
2. CUSTOM PERMANENT MARKING AVAILABLE. CONSULT FACTORY.
3. USE WITH STD. CROSS SECTION MLT'S.
4. TOLERANCE (UNLESS OTHERWISE SPECIFIED):
 .XXX = ±.020 (.51)
 .XX = ±.03 (.8)

07A	12/11/17	RVU	CLW	JHAC	ADD MMP172-M TO TABLE WITH 1000 PIECES.	GAECN04428
06A	2/13	JAMB	MIM	RGRO	UPDATE DRAWING TO NEW PANDUIT TITLE BLOCK WITH PANDUIT LOGO	SSECN01031
05	1/07	JAMB	SKB	---	ⓑ ADDED THICKNESS DIMENSION TO SECTION "A-A"	SS00314
04	10/03	BRH	DPN	---	(A) ADDED PACKAGE QTY /CODE TO PART NUMBERS IN TABLE	11167
03	5/02	JAMB	DPN	---	REMOVED MATERIAL 302 SS FROM PART NO. MMP172	10041
02	2/01	KMD	SKB	---	FILE SPEC WAS N41045SA_PCD_01	09086
01	4/93	SM	LM	---	ADDED STK THK DIM	01532
00	3/91	SM	LM	---	RELEASED	00378
REV	DATE	BY	CHK	APR	DESCRIPTION	ECN

TITLE					
MINI STANDARD MARKER PLATE					
CUSTOMER DRAWING					
ITEM REVISION NAME	N41045BS/07				
DATASET FILE NAME	N41045BS_DC/07A				
UNLESS OTHERWISE SPECIFIED, DIMENSIONAL TOLERANCES ARE: IN (mm)	PANDUIT				
.X ± .XXX ± .XX ± .020 (.5) ANGES ±					
MATERIAL:	STAINLESS STEEL				
DRAWING NUMBER:	N41045BS_DC				
DRAWN BY	DATE	CHK	SCALE	SHT 1 OF 1	SIZE
SAM	2/4/91	JAC	NONE		A

Mouser Electronics

Authorized Distributor

Click to View Pricing, Inventory, Delivery & Lifecycle Information:

[Panduit:](#)

[MMP172-C](#) [MMP172-C316](#)