

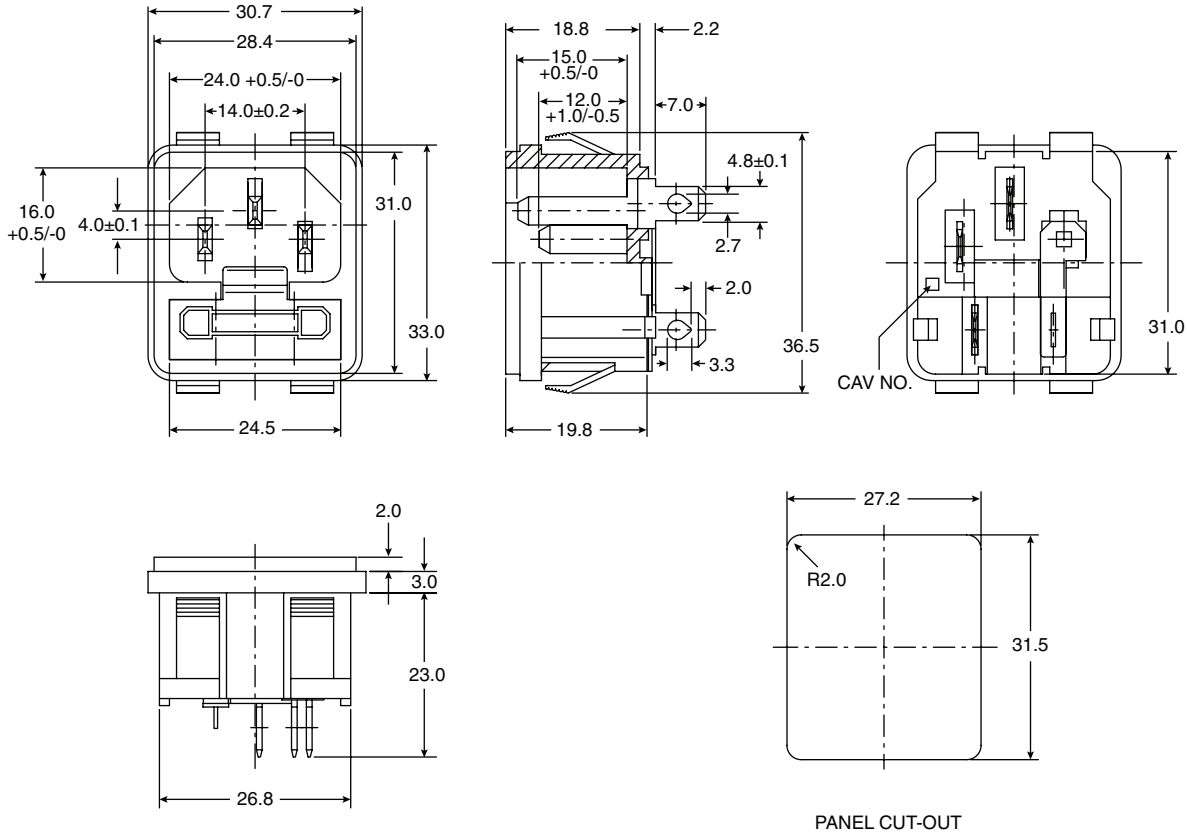
Inlet With 5x20mm Fuse Holder

161-R3014-E



Inlet With 5x20mm Fuse Holder

161-R3014-E



Dimensions: mm

SPECIFICATIONS	
Rating:	10A, 250VAC
Insulation Resistance:	100MΩ Min.
Dielectric Strength:	2000V Min
Fuseholder:	Suitable for 5x20mm Fuse
Panel Thickness:	0.8mm ~ 3.0mm
RoHS Compliant	

Tolerance
X.XX±0.1
XX.XX±0.2
XXX.XX±0.3

MATERIALS	
Housing:	Nylon 66
Contacts:	Bronze Sn Plating

Date Last Revised: 6/29/12

Available from Mouser Electronics
1-800-346-6873 / www.mouser.com

KC- 301196

Specifications are subject to change without notice. No liability or warranty implied by this information. Environmental compliance based on producer documentation.

Mouser Electronics

Authorized Distributor

Click to View Pricing, Inventory, Delivery & Lifecycle Information:

[Kobiconn:](#)

[161-R3014-E](#)