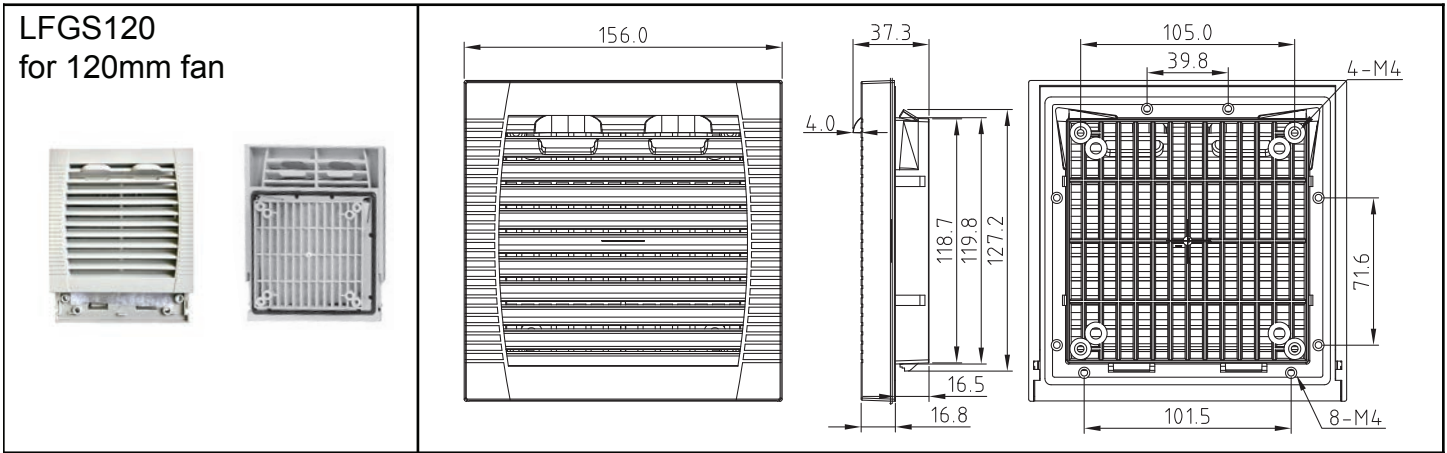


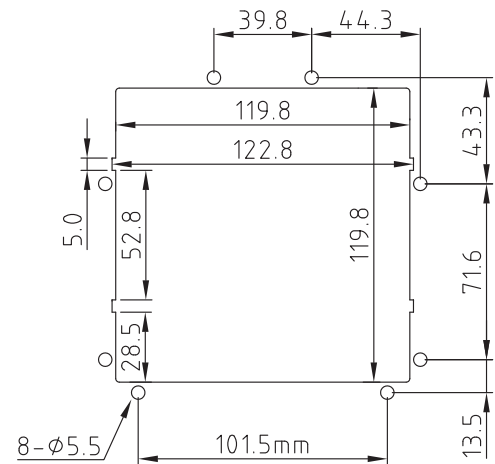
Louvered Fan Guards (slide type)

Easy Access to Media



Part Number	LFGS120
Frame Description	ABS Resin - flame resistant UL94V-0, with UV protection. Vents with screens at 45-degree angle. Includes high foam sealing edge - protection grade IP44-IP54. Snap-fit or screw mount.
Filter Mesh Material	Nylon Fiber - Synthetic Resin, filters to 8 microns.
Color	Gray is standard. Black is available upon request. Minimums may apply.
Matching Series	OA109, OA125, OA4715, OD1225, OD1232, OD1238
Hardware	1 bag - 8 ea. M4x8, washer, lock washer 1 bag - 4 ea. M4x12, nut, star washer

Filter Media 5-Packs	
Part Number	Description
LFG120BF/PK	For LFGS120



PANEL CUTOUT

Mouser Electronics

Authorized Distributor

Click to View Pricing, Inventory, Delivery & Lifecycle Information:

[Orion Fans:](#)

[LFGS120](#)