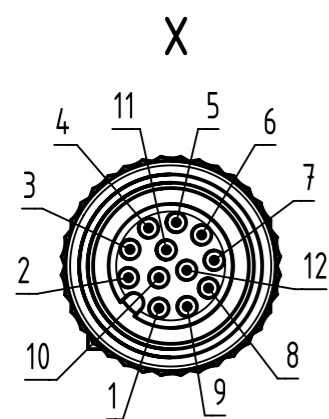
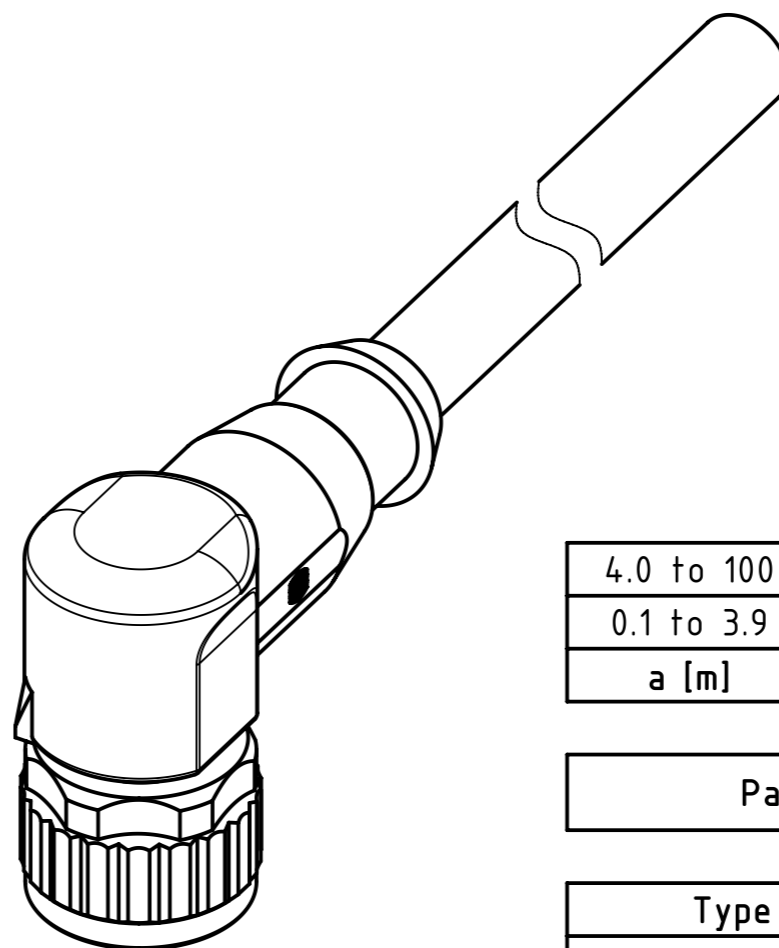


Loading-Plan:



- 1 brown
- 2 blue
- 3 white
- 4 green
- 5 pink
- 6 yellow
- 7 black
- 8 grey
- 9 red
- 10 violet
- 11 grey-pink
- 12 red-blue



4.0 to 100	+1%
0.1 to 3.9	+0.04
a [m]	Tolerance

length in "1m" step	100	XXX=000
	99	XXX=990

length in "0.1m" step	12	XXX=120
	11	XXX=110
	10	XXX=100
	9.9	XXX=099
	9.8	XXX=098

	0.4	XXX=004
0.3	XXX=003	
0.2	XXX=002	
0.1	XXX=001	
Step	a [m]	XXX

Part no.	21348700CXXXXX
-----------------	----------------

Type of cable	XX
PVC grey, 12x0.14mm ²	XX=79
PUR black, 12x0.14mm ²	XX=78

- Protection level: IP67
 - Temperature range: -30°C ... +80°C

All rights reserved Department EC PD - RO HARTING Electronics GmbH D-32339 Espelkamp	All Dimensions in mm Original Size DIN A3	Scale 2:1	Free size tol.	Ref. Sub.
	Created by TAMAS	Inspected by STOICA	Standardisation HOFFMANN	Date 2014-08-25
Title M12 A-coded Cable Assembly		Doc-Key / ECM-Nr. 100591310/UGD/009/A 50000079105		Rev. A
Type TB		Number 21348700CXXXXX		Page 1/1

Mouser Electronics

Authorized Distributor

Click to View Pricing, Inventory, Delivery & Lifecycle Information:

HARTING:

[21348700C79010](#) [21348700C79050](#) [21348700C78005](#) [21348700C78015](#) [21348700C78010](#) [21348700C78075](#)
[21348700C78050](#) [21348700C79005](#) [21348700C79075](#) [21348700C79020](#) [21348700C78020](#) [21348700C79015](#)
[21348700C79100](#) [21348700C78100](#)