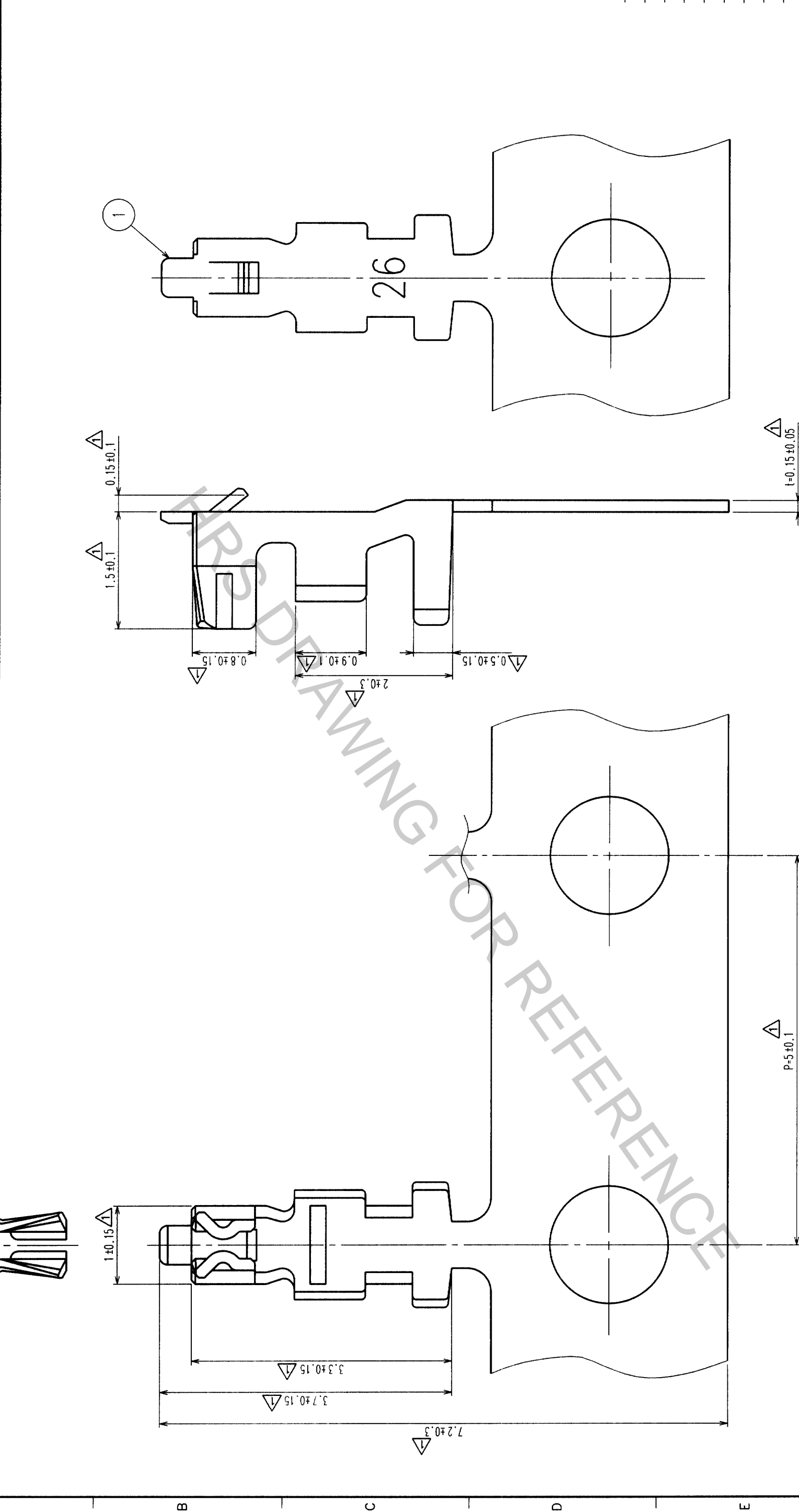


COUNT	DESCRIPTION OF REVISIONS	BY	CHKD	DATE	COUNT	DESCRIPTION OF REVISIONS	BY	CHKD	DATE
17	RE-H-03268	I.Y.	K.A	99. 3. 25					



△ NOTES 1: APPLICABLE WIRE : 26 - 30 AWG  
 JACKET DIAMETER : 1.0 mm MAX  
 △ 2: 1 REEL 10000 CONTACTS

NO.	MATERIAL	FINISH, REMARKS	NO.	MATERIAL	FINISH, REMARKS
1	PHOSPHOR BRONZE	TIN PLATED			

CODE NO. (OLD)	FINISH, REMARKS	NO.	MATERIAL	FINISH, REMARKS	APPROVED	RELEASED

DRAWN	DESIGNED	CHECKED	APPROVED
T.Goi	I.Toshiro	K.Akiyama	M.Yamamoto
'94. 4. 18	'94. 4. 19	'94. 4. 25	'94. 4. 25

	DRAWING NO.	EDC3-081857	PART NO.	DF13-2630SCF
SCALE	20 : 1			
UNITS	mm			

CODE NO.	CL536-0300-5
UNITS	mm

TO