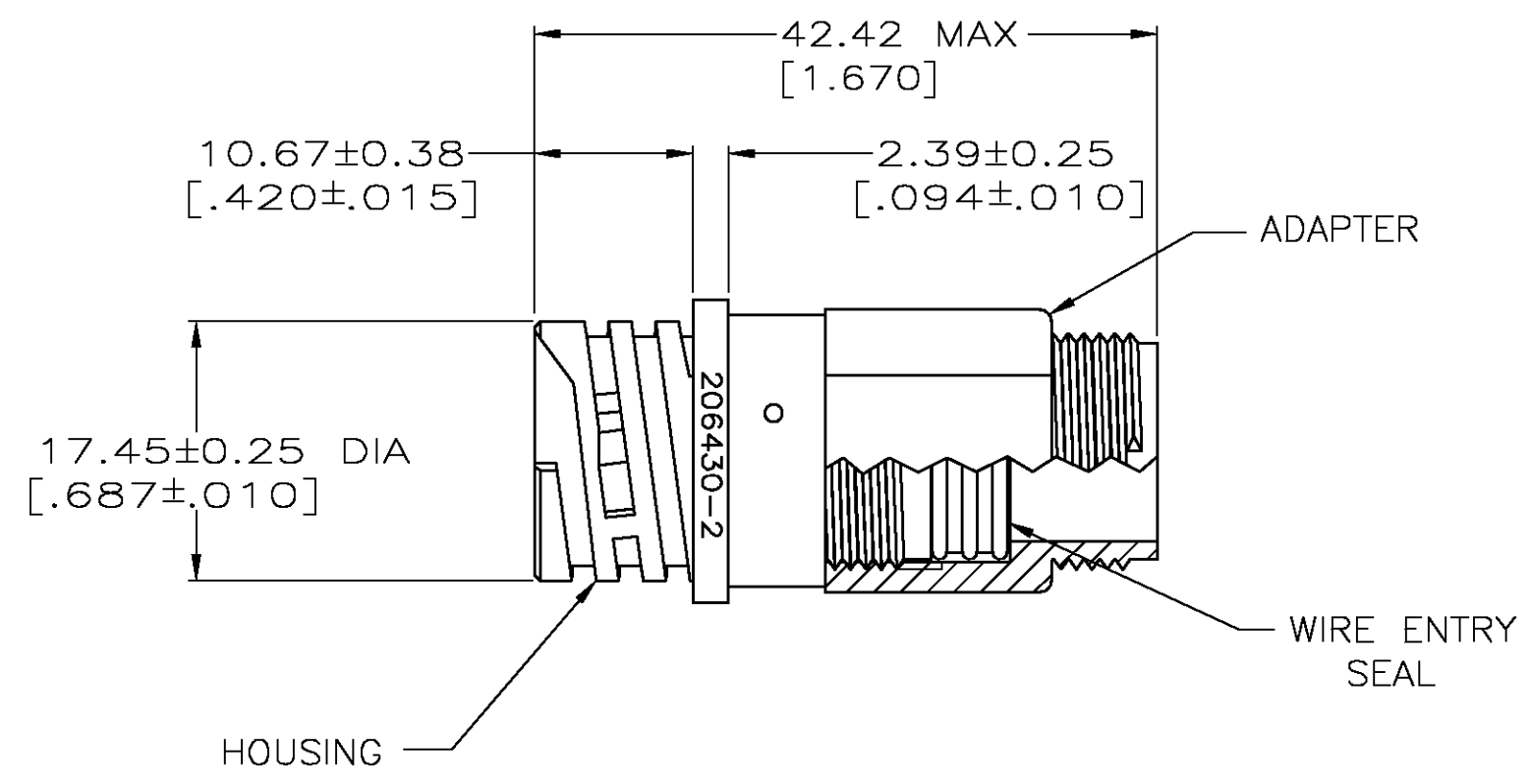
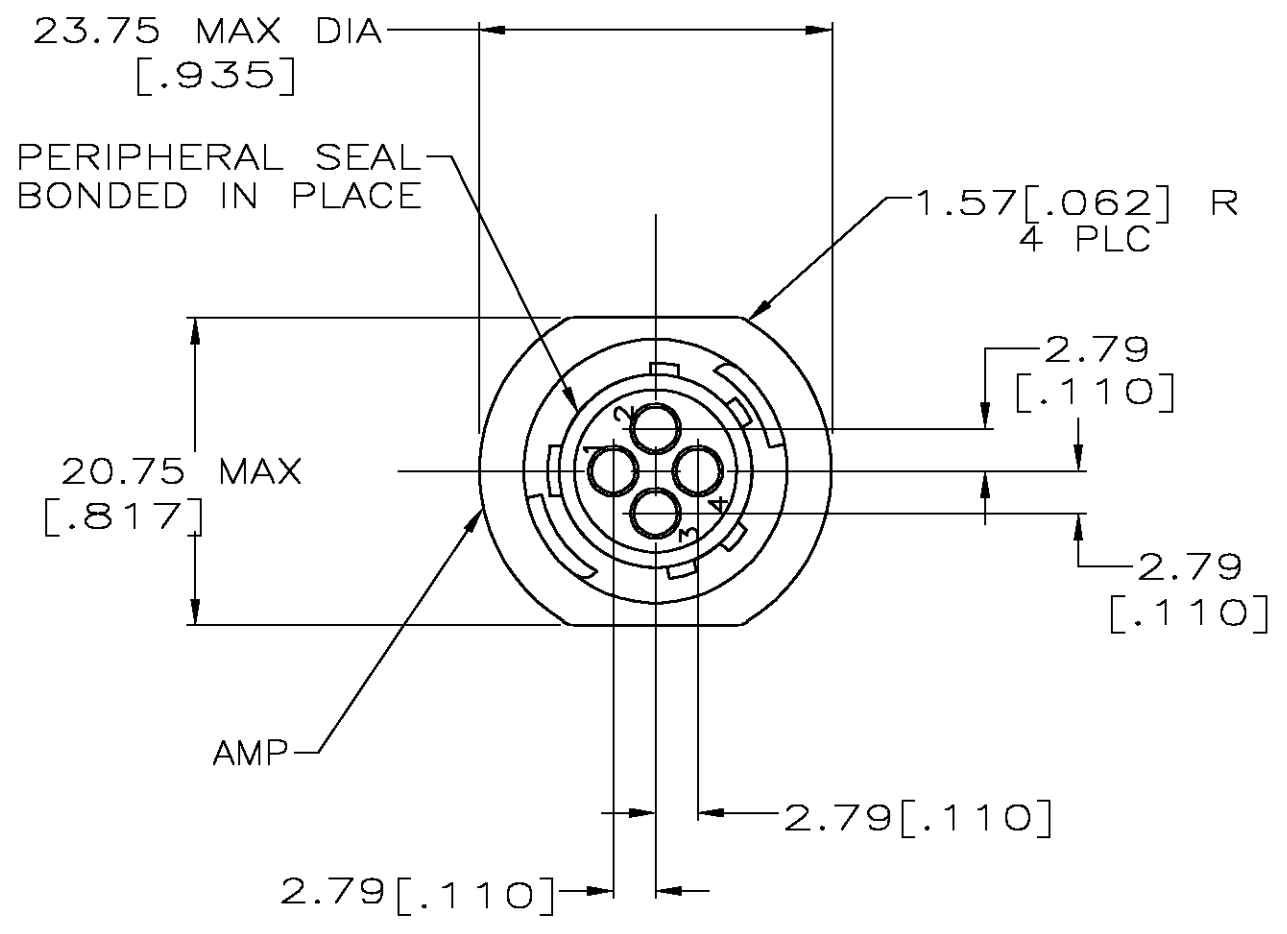


THIS DRAWING IS UNPUBLISHED. RELEASED FOR PUBLICATION
 © COPYRIGHT BY TYCO ELECTRONICS CORPORATION. ALL RIGHTS RESERVED.

LOC	DIST	REVISIONS					
FT	0	P	LTR	DESCRIPTION	DATE	DWN	APVD
			A	REVISED PER 0G3B-0140-04	2/19/04	SS	SH



788155-2
 PART NUMBER

⚠ HOUSING & ADAPTER: NYLON 6/6, BLACK.
 WIRE ENTRY SEAL: ELASTOMER, RED.

2. THIS CONNECTOR WILL ACCEPT
 FOUR (4) MULTIMATE SOCKET CONTACTS.

THIS DRAWING IS A CONTROLLED DOCUMENT.		DWN	01 OCT 97		Tyco Electronics Corporation Harrisburg, Pa 17105-3608		
		CHK	28 OCT 99				
		K.DOWHOWER		APVD		NAME	
		K.DOWHOWER		28 OCT 99		RECEPTACLE ASSEMBLY, 11-4, REVERSE SEX, SERIES I, SEALED, CPC	
DIMENSIONS: MM [INCHES]		TOLERANCES UNLESS OTHERWISE SPECIFIED:		PRODUCT SPEC		SIZE	
		0 PLC ± -		108-1579		CAGE CODE	
		1 PLC ± -		APPLICATION SPEC		DRAWING NO	
		2 PLC ± 0.13 [.005]		114-10038		RESTRICTED TO	
		3 PLC ± -		WEIGHT		A3 00779	
		4 PLC ± -		-		C=788155	
		ANGLES ± -		CUSTOMER DRAWING		SCALE	
MATERIAL		FINISH				2:1	
-		-				SHEET 1 OF 1	
						REV A	