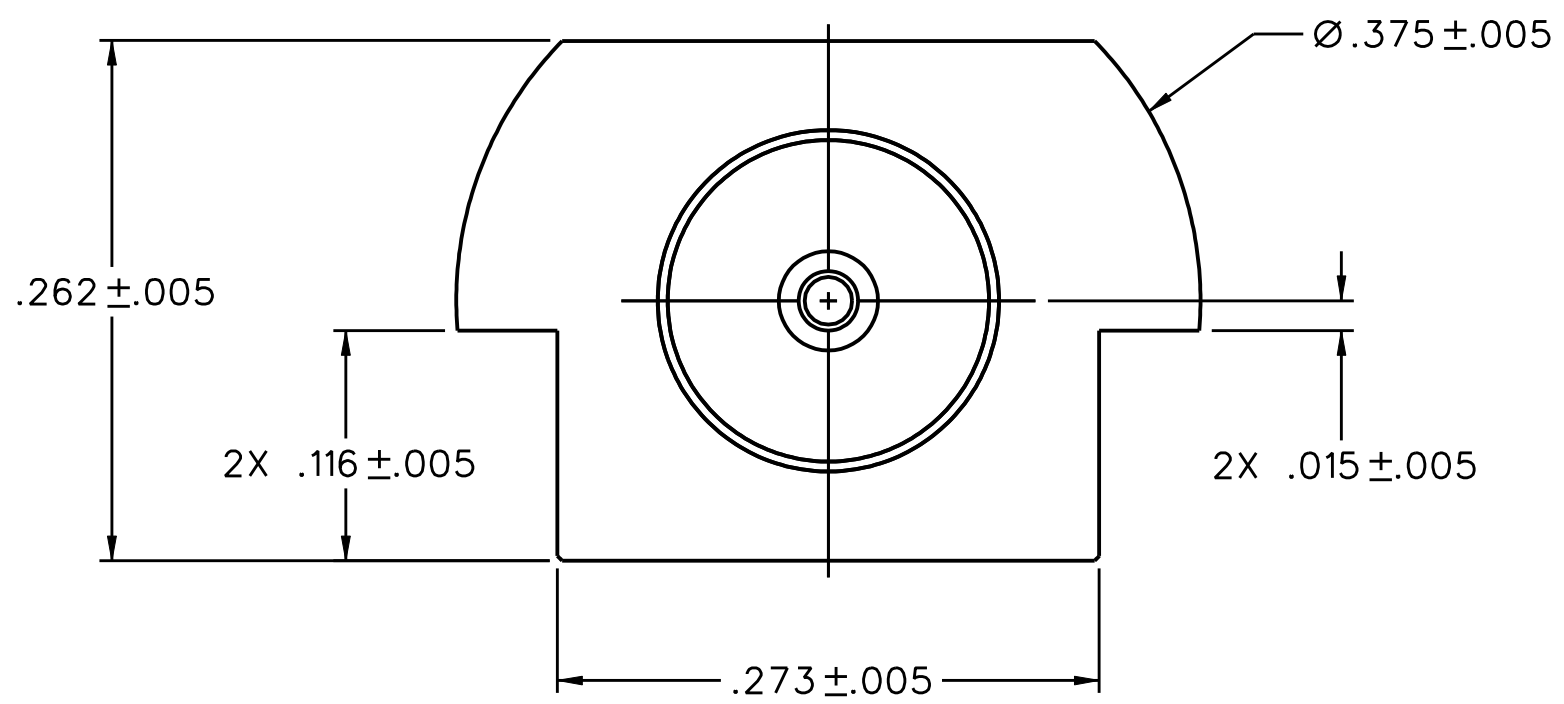
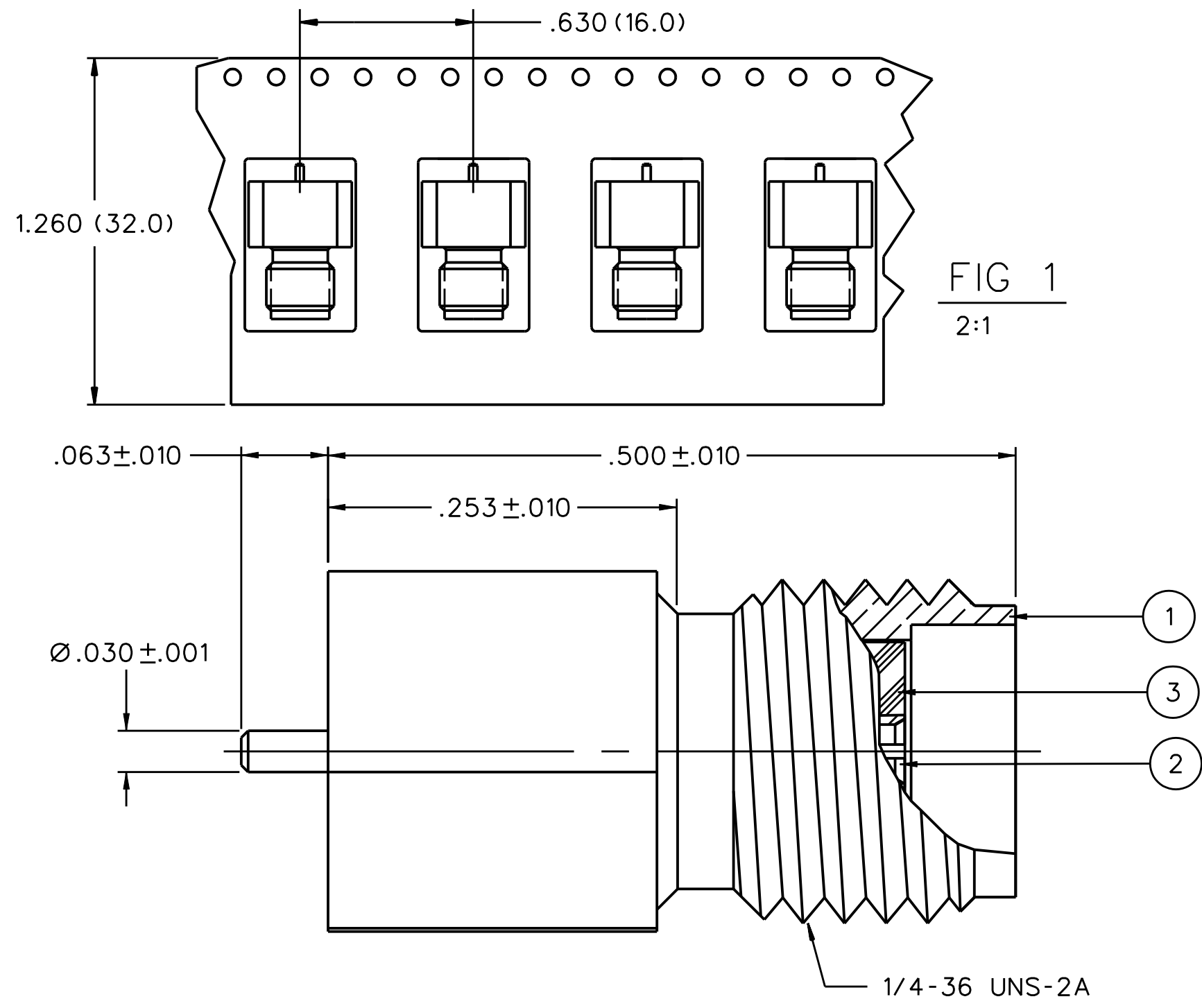


DRAWING NO.		C - 142-0751-871/880	
0		REVISIONS	
ENGINEERING RELEASE			
1	5-12-04	RJB	5-25-04 ECN 49301
GOLD PL .00001-.00002 WAS GOLD PL .00005 MAX, ADD: NOTE PLATING THICKNESS MEASURED ON BODY TOP			
2	6-6-08	PAT	6-12-08 ECN 51534

PART NUMBER	ITEM ① BODY	ITEM ② CONTACT	ITEM ③ INSULATOR	PACKAGING
142-0751-871	BRASS GOLD PL .00001 MIN OVER NICKEL PL .00005 MIN OVER COPPER PL .00005 MIN	BERYLLIUM COPPER GOLD PL .00001-.00002 OVER NICKEL PL .00005 MIN OVER COPPER PL .00005 MIN	TEFLON	BULK PACK 25 PCS
142-0751-872	BRASS GOLD PL .00001 MIN OVER NICKEL PL .00005 MIN OVER COPPER PL .00005 MIN	BERYLLIUM COPPER GOLD PL .00001-.00002 OVER NICKEL PL .00005 MIN OVER COPPER PL .00005 MIN	TEFLON	TAPE AND REEL 475 PCS. PER FIG 1

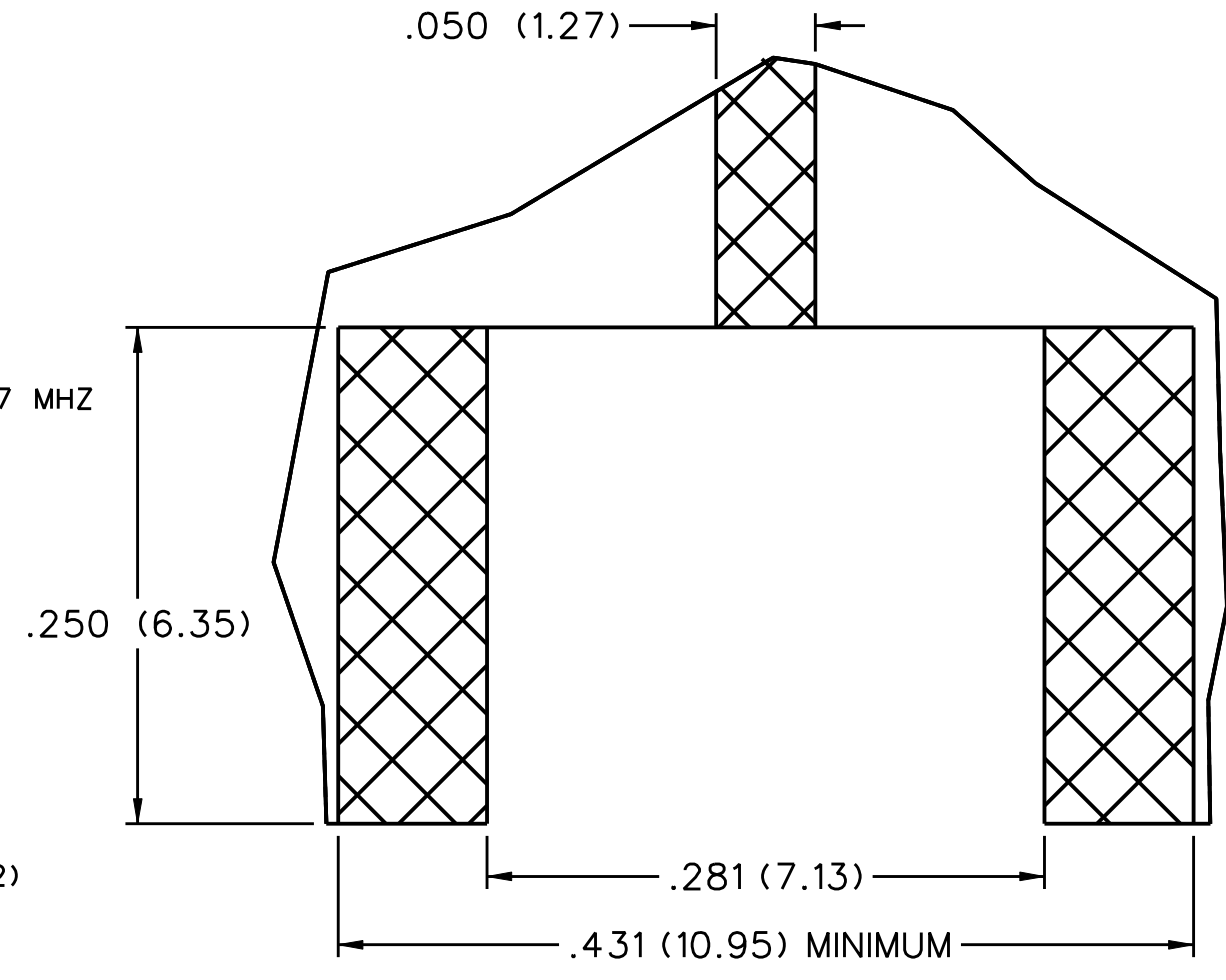


NOTE: TO INSURE THAT NO DAMAGE TO THE CONNECTOR-TO-BOARD SOLDER JOINT OCCURS, IT IS RECOMMENDED THAT A WRENCH BE USED TO SECURE THE CONNECTOR BODY AND THAT A MAXIMUM OF 8 INCH-POUNDS OF TORQUE BE APPLIED TO THE MATING CONNECTOR COUPLING NUT.

NOTES:

1. SPECIFICATIONS:
- IMPEDANCE: 50 OHMS
 - FREQUENCY RANGE: 0-18 GHz
 - VSWR: NOT APPLICABLE
 - WORKING VOLTAGE: 335 VRMS MAX AT SEA LEVEL
 - DIELECTRIC WITHSTANDING VOLTAGE: 1000 VRMS MIN AT SEA LEVEL
 - INSULATION RESISTANCE: 5000 MEGOHM MIN
 - CONTACT RESISTANCE:
 - CENTER CONTACT - INITIAL 3 MILLIOHM MAX, AFTER ENVIRONMENTAL 4 MILLIOHM MAX
 - OUTER CONDUCTOR - INITIAL 2 MILLIOHM MAX, AFTER ENVIRONMENTAL NOT APPLICABLE
 - BRAID TO BODY - NOT APPLICABLE
 - CORONA LEVEL: 250 VOLTS MIN AT 70,000 FEET
 - INSERTION LOSS: NOT APPLICABLE
 - RF LEAKAGE: NOT APPLICABLE
 - RF HIGH POTENTIAL WITHSTANDING VOLTAGE: 670 VRMS AT 4 AND 7 MHZ
- MECHANICAL:
- ENGAGE/DISENGAGE TORQUE: 2 INCH-POUNDS MAX
 - MATING TORQUE: 7-10 INCH POUNDS MAX
 - COUPLING PROOF TORQUE: 15 POUNDS MAX
 - COUPLING NUT RETENTION: NOT APPLICABLE
 - CONTACT RETENTION: 6 LBS MIN AXIAL FORCE
 - CABLE ACCEPTABILITY: NOT APPLICABLE
 - CABLE HEX CRIMP SIZE: NOT APPLICABLE
 - CABLE RETENTION: NOT APPLICABLE
 - DURABILITY: 500 CYCLES MIN
- ENVIRONMENTAL:
- (MEETS OR EXCEEDS THE APPLICABLE PARAGRAPH OF MIL-PRF-39012)
 - THERMAL SHOCK: MIL-STD-202, METHOD 107, CONDITION B
 - OPERATING TEMPERATURE: -65 DEG C TO 165 DEG C
 - CORROSION: MIL-STD-202, METHOD 101, CONDITION B
 - SHOCK: MIL-STD-202, METHOD 213, CONDITION I
 - VIBRATION: MIL-STD-202, METHOD 204, CONDITION D

RECOMMENDED LAND PATTERN *




* NOTE: THIS PATTERN IS FOR REFERENCE ONLY. PATTERN MAY VARY DEPENDING ON ASSEMBLY PROCESS OR SPECIFIC ELECTRICAL OR MECHANICAL REQUIREMENTS.

CUSTOMER DRAWING

THIS DRAWING TO BE INTERPRETED PER ASME Y 14.5M - 1994

"μSTATION"

COMPANY CONFIDENTIAL

TOLERANCE UNLESS OTHERWISE SPECIFIED		DRAWN BY	DATE	 P.O. Box 1732 Waseca, MN 56093 1-800-247-8256
DECIMALS	mm	RJB	5-12-04	
.XX		CHECKED BY	DATE	TITLE JACK ASSEMBLY SURFACE MOUNT END LAUNCH SMA
.XXX		APPROVED BY	DATE	
MATL		RJB	5-25-04	SHEET 2 OF 2
FINISH		RELEASE DATE	5-25-04	
		U/M INCH	SCALE 10:1	DRAWING NO. C - 142-0751-871/880