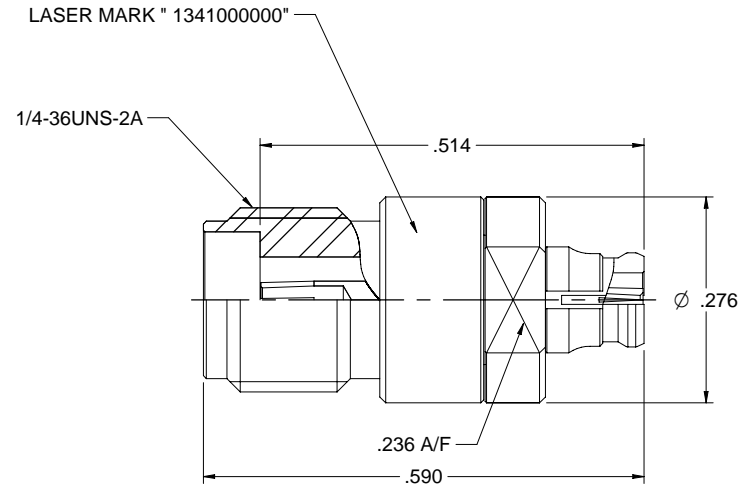


REV	ECO	DATE
001	ECO-17-002	11/28/2017

MODEL NO.	PACKAGING
134-1000-000	ONE PCS PER BAG



NOTES: UNLESS OTHERWISE SPECIFIED

1. MATERIAL & FINISH:
 - 1.1 BODY: PASSIVATED STAINLESS STEEL
 - 1.2 CONTACT PIN, RING & CONTACT BODY: GOLD PLATED BERYLLIUM COPPER
 - 1.3 INSULATOR: PEEK NATURAL
2. ELECTRICAL:
 - 2.1 IMPEDANCE: 50 OHMS
 - 2.2 FREQUENCY RANGE: 0-40 GHz
 - 2.3 VOLTAGE STANDING WAVE RATIO: 1.25 MAX
 - 2.4 DIELECTRIC WITHSTANDING VOLTAGE: 500 VRMS MIN
 - 2.5 CONTACT RESISTANCE:
 - 2.5.1 CENTER CONTACT: 6 MILLIOHM MAX
 - 2.5.2 OUTER CONTACT: 2 MILLIOHM MAX
 - 2.6 INSULATOR RESISTANCE: 5000 MEGOHM MIN
3. MECHANICAL:
 - 3.1 ENGAGEMENT FORCE: FULL DETENT 68 N MAX, LIMITED DETENT 45 N MAX, SMOOTH BORE 9 N MAX (SMP)
0.23 NM MAX (SMK)
 - 3.2 DISENGAGEMENT FORCE: FULL DETENT 22 N MIN, LIMITED DETENT 9 N MIN, SMOOTH BORE 2.2 N MIN (SMP)
0.23 NM MAX (SMK)
 - 3.3 CONTACT RETENTION: 22N MIN
 - 3.4 DURABILITY: 500CYCLES MIN (SMK)
FULL DETENT 100 CYCLES MIN, LIMITED DETENT 500 CYCLES MIN, SMOOTH BORE 1000CYCLES MIN (SMP)
4. ENVIRONMENT:
 - 4.1 THERMAL SHOCK: MIL-STD-202, METHOD 107, CONDITION B.
 - 4.2 OPERATING TEMPERATURE: -55TO 125°C
 - 4.3 SALT SPRAY: MIL-STD-202, METHOD 101, CONDITION B
 - 4.4 SHOCK: MIL-STD-202, METHOD 213, CONDITION I
 - 4.5 VIBRATION: MIL-STD-202, METHOD 204, CONDITION D
 - 4.6 MOISTURE RESISTANCE: MIL-STD-202, METHOD 106

	Model No. 134-1000-000	Johnson
	RoHS2011/65/EU <small>2011/65/EU 2002/95/EC 2002/95/EC 2002/95/EC</small>	File: ADAPTER ASSEMBLY, SMK (2.92mm) JACK TO SMP JACK
<small>REVISIONS</small> XXXX - 02 XXXX - 01 ANGLE 45°	Design By: Betty Yu Date: 10/10/2017	Drawing No. 134-1000-000 Rev. 001
DO NOT SCALE DRAWINGS	NONE	Sheet 1 of 1

Mouser Electronics

Authorized Distributor

Click to View Pricing, Inventory, Delivery & Lifecycle Information:

[Cinch Connectivity Solutions:](#)

[134-1000-000](#)