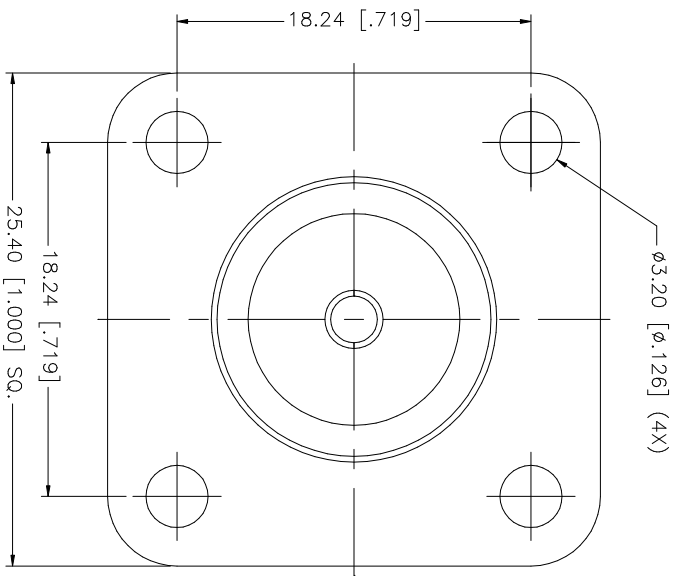
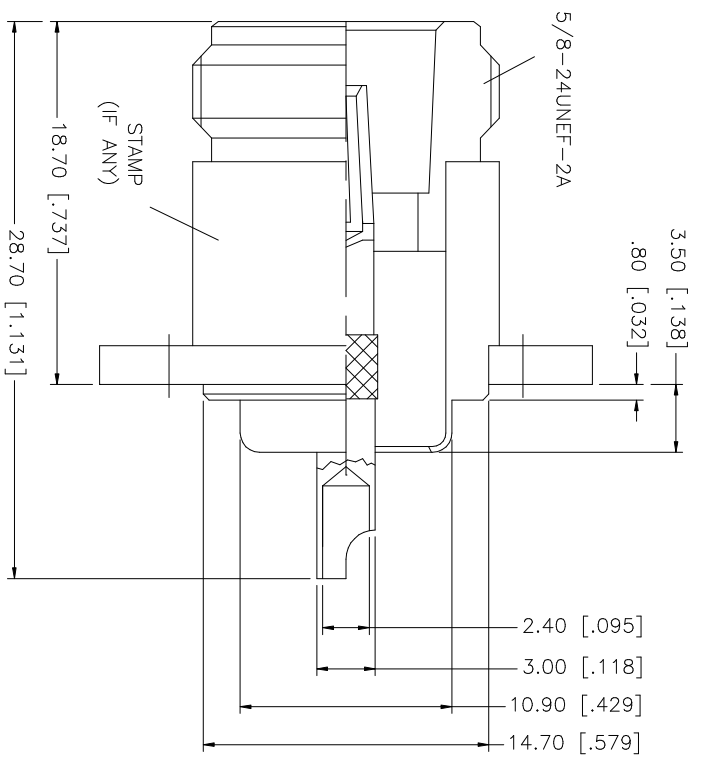


REV.	DATE	DESCRIPTION
A	06/05/03	UPDATE DRAWING FORMAT



NO.	DESCRIPTION	MATERIAL	FINISH	QTY	UNLESS OTHERWISE SPECIFIED, DIMENSIONS ARE IN MILLIMETERS. DIMENSIONS IN [] ARE IN INCHES AND FOR CUSTOMER REFERENCE ONLY.	APPROVALS	DATE	PART DESCRIPTION	DWG. NO.	REV.	SIZE	SCALE
8								Amphenol Connex N PANEL RECEPTACLE JACK	172119.DWG	A	A	NA
7					UNLESS OTHERWISE SPECIFIED, DIMENSIONS ARE IN MILLIMETERS. DIMENSIONS IN [] ARE IN INCHES AND FOR CUSTOMER REFERENCE ONLY.							
6					TOLERANCES FOR MILLIMETERS ARE:							
5					0.3 - 8mm ± 0.20mm							
4					8 - 30mm ± 0.40mm							
3	CONTACT PIN	PHOS. BRONZE	GOLD	1	30 - 120mm ± 0.50mm							
2	INSULATOR	TEFLON	NATURAL	1	UNLESS OTHERWISE SPECIFIED, DIMENSIONS ARE IN INCHES AND FOR CUSTOMER REFERENCE ONLY.							
1	BODY	BRASS	NEXCOTE	1	TOLERANCES FOR INCHES ARE: .020 - .315 = ± 0.007" .315 - 1.180 = ± 0.015" 1.180 - 4.724 = ± 0.020" DO NOT SCALE DRAWING	DRAWN G.R.S. CHECKED ISSUED SHEET 1 OF 1	06/05/03					

Mouser Electronics

Authorized Distributor

Click to View Pricing, Inventory, Delivery & Lifecycle Information:

[Amphenol:](#)

[172119](#)