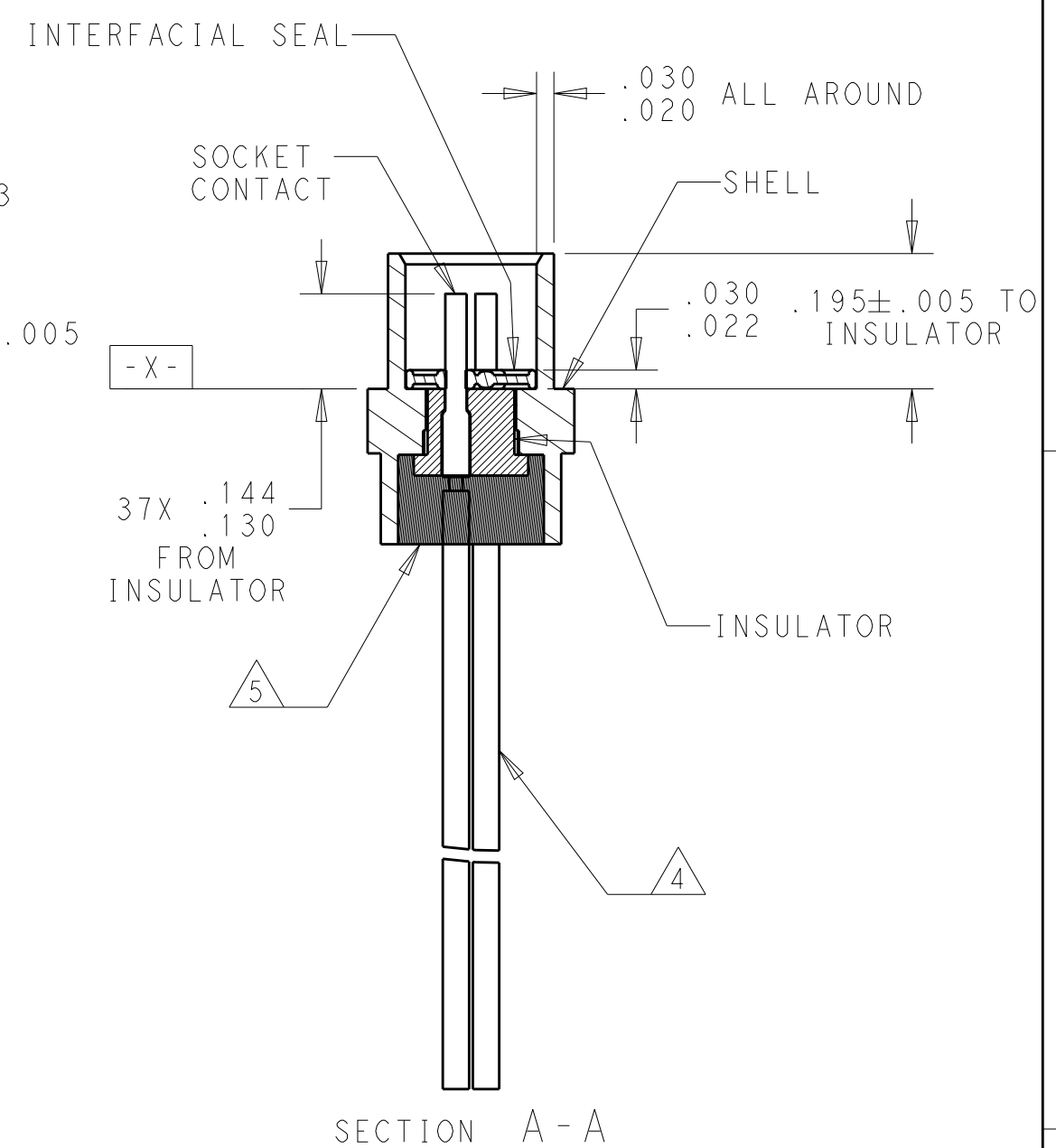
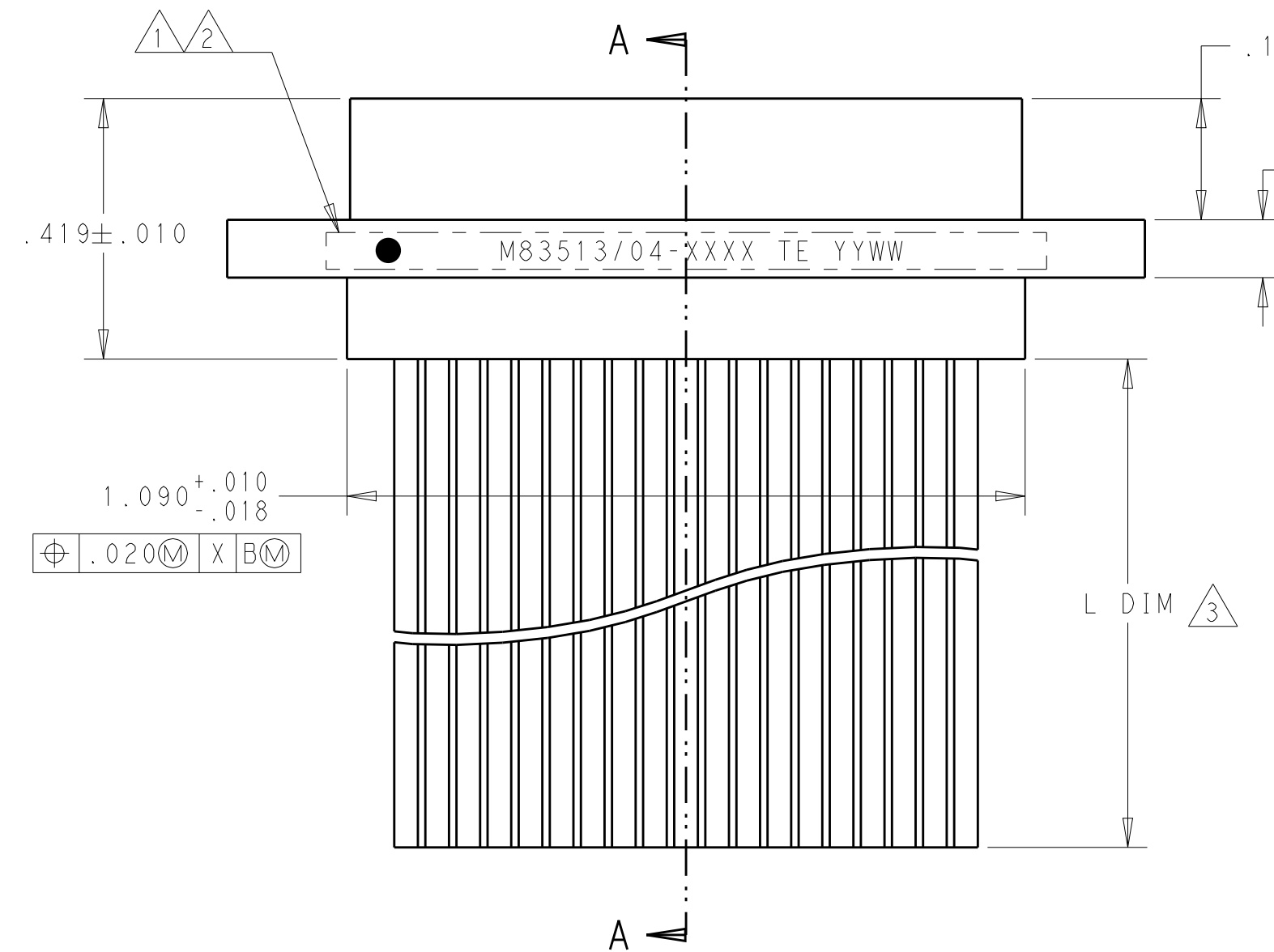
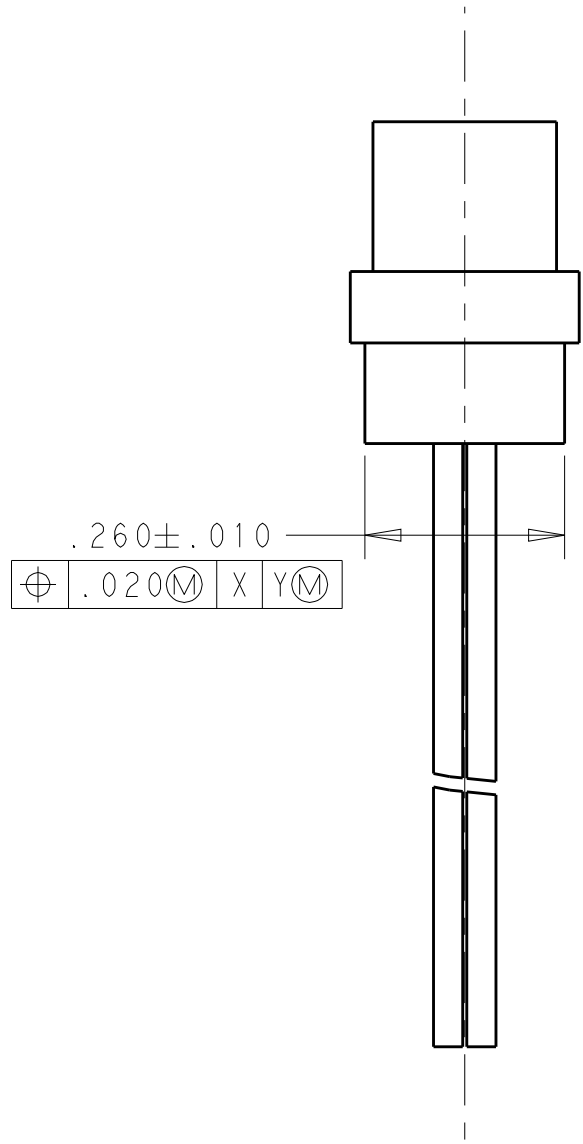
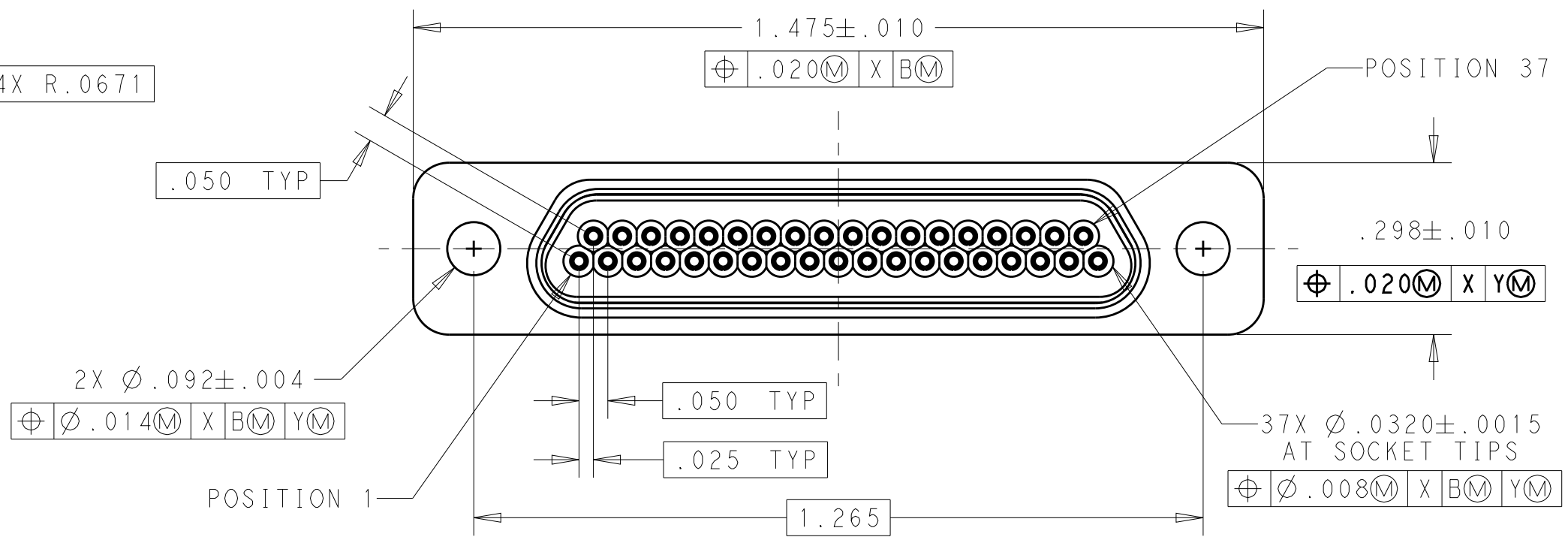
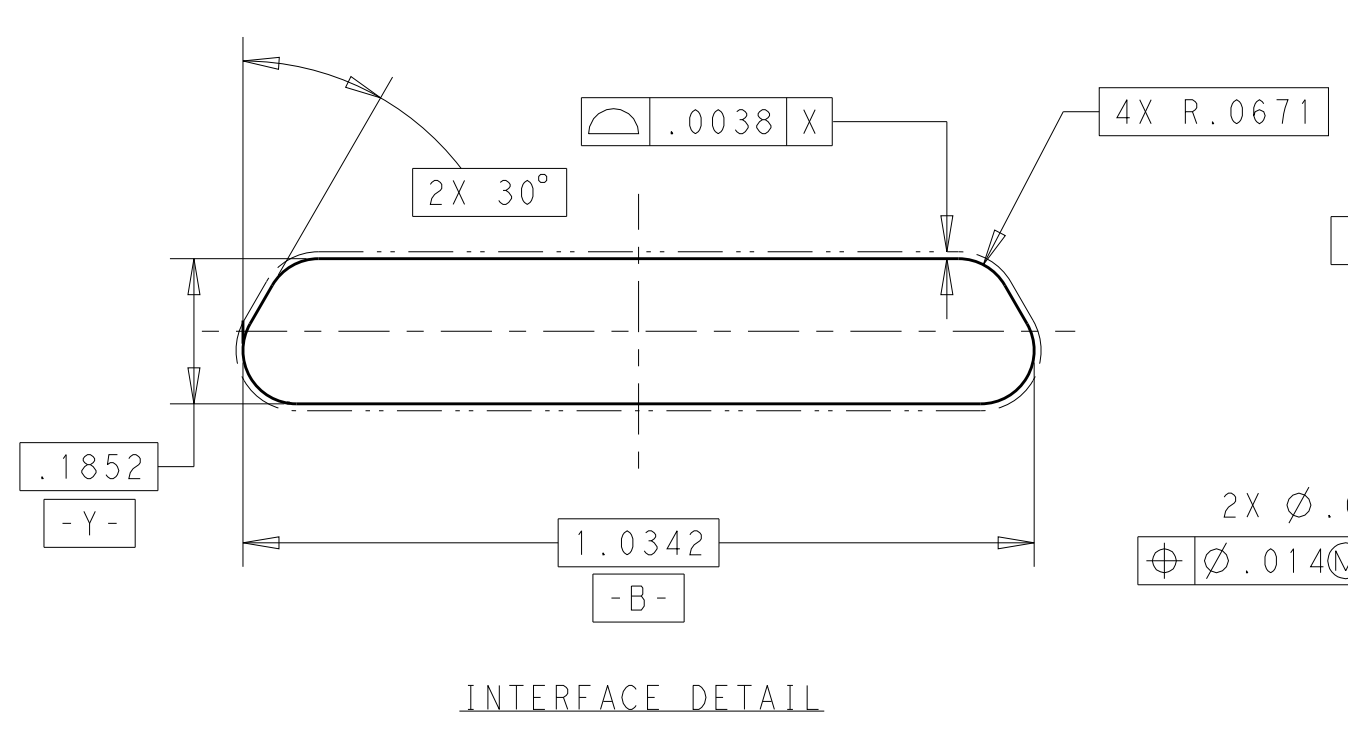


THIS DRAWING IS UNPUBLISHED. RELEASED FOR PUBLICATION 20  
 © COPYRIGHT 20 BY - ALL RIGHTS RESERVED.

REVISIONS				
P	LTR	DESCRIPTION	DATE	APVD
B		UPDATE PER ECO-16-007070	09MAY2016	DS CS



CONNECTOR SHALL BE MARKED IN ACCORDANCE WITH METHOD 1 OF MIL-STD-1285. MARKING SHALL CONTAIN THE MILITARY PIN, CAGE CODE (OR TE), AND DATE CODE. EXAMPLE: M83513/04-XXXX TE YYWW (WHERE XXXX IS PART OF THE PIN SHOWN IN THE "MIL-DTL-83513" COLUMN OF THE PART NUMBER TABLE, AND YYWW IS THE DATE CODE). TEXT HEIGHT SHALL BE .035 INCH MINIMUM.

POSITION 1 SHALL BE INDICATED BY AN IDENTIFIABLE MARK, LOCATED APPROXIMATELY AS SHOWN ON THE POSITION 1 SIDE OF THE CONNECTOR FLANGE. THIS MARK SHALL BE INCLUDED AS PART OF THE PART MARKING INFORMATION.

LENGTH IS SHOWN IN THE "L DIM" COLUMN OF THE PART NUMBER TABLE. LENGTH TOLERANCE IS +1.0/-0.0 FOR INSULATED WIRE TERMINATIONS, AND +0.20/-0.00 FOR UNINSULATED WIRE TERMINATIONS.

INSULATED WIRE IS SHOWN FOR REFERENCE ONLY. PART MAY BE TERMINATED WITH INSULATED OR UNINSULATED WIRE ACCORDING TO THE PART NUMBER TABLE.

EPOXY ENCAPSULATION. EPOXY MAY WICK .125 INCH MAX FOR INSULATED WIRE, AND .050 INCH MAX FOR UNINSULATED WIRE.

ALL DIMENSIONS AND REQUIREMENTS ARE PER MIL-DTL-83513/4.


THIS DRAWING IS A CONTROLLED DOCUMENT.		DWN B ROMANCHUK	03SEP2008	TE Connectivity
DIMENSIONS: IN		CHK M STORRY	03SEP2008	
TOLERANCES UNLESS OTHERWISE SPECIFIED:		APVD		NAME
0 PLC	±	PRODUCT SPEC		RECEPTACLE ASSEMBLY
1 PLC	±.010	APPLICATION SPEC		MICRO-D PER MIL-DTL-83513/04
2 PLC	±.005	WEIGHT		MCKS SERIES, 37 POSITION
3 PLC	±	CUSTOMER DRAWING		SIZE
4 PLC	±1°	SCALE 4:1		CAGE CODE
ANGLES	±1°	SHEET 1 OF 2		DRAWING NO
FINISH	-	REV B		A298278
MATERIAL	SEE NOTES	RESTRICTED TO		G-1532176

THIS DRAWING IS UNPUBLISHED. RELEASED FOR PUBLICATION 20  
 © COPYRIGHT 20 BY - ALL RIGHTS RESERVED.

REVISIONS				
P	LTR	DESCRIPTION	DATE	APVD
		SEE SHEET 1		

TE PART NUMBER	L DIM	MIL-DTL-83513 PIN	MICRODOT P/N	MCKS DESCRIPTION
1532176-1	18	M83513/04-F01N	094-6626-0001	MCKS-N1-B-37S6G1-18.0
1532176-2	36	M83513/04-F02N	094-6626-0002	MCKS-N1-B-37S6G1-36.0
1532176-3	18	M83513/04-F03N	094-6626-0003	MCKS-N1-B-37S6G9-18.0
1532176-4	36	M83513/04-F04N	094-6626-0004	MCKS-N1-B-37S6G9-36.0
1532176-5	18	M83513/04-F09N	094-6626-0009	MCKS-N1-B-37S6Q1-18.0
1532176-6	36	M83513/04-F10N	094-6626-0010	MCKS-N1-B-37S6Q1-36.0
1532176-7	18	M83513/04-F11N	094-6626-0011	MCKS-N1-B-37S6Q9-18.0
1532176-8	36	M83513/04-F12N	094-6626-0012	MCKS-N1-B-37S6Q9-36.0
1532176-9	72	M83513/04-F13N	094-6626-0013	MCKS-N1-B-37S6G1-72.0
1-1532176-0	72	M83513/04-F14N	094-6626-0014	MCKS-N1-B-37S6G9-72.0
1-1532176-1	72	M83513/04-F15N	094-6626-0015	MCKS-N1-B-37S6Q1-72.0
1-1532176-2	72	M83513/04-F16N	094-6626-0016	MCKS-N1-B-37S6Q9-72.0
1-1532176-3	0.5	M83513/04-F05N	094-6626-0005	MCKS-N1-B-37S5L4-0.5
1-1532176-4	1.0	M83513/04-F06N	094-6626-0006	MCKS-N1-B-37S5L4-1.0
1-1532176-5	0.5	M83513/04-F07N	094-6626-0007	MCKS-N1-B-37S5L5-0.5
1-1532176-6	1.0	M83513/04-F08N	094-6626-0008	MCKS-N1-B-37S5L5-1.0
1-1532176-7	18	M83513/04-F01C	094-6636-0001	MCKS-C2-B-37S6G1-18.0
1-1532176-8	36	M83513/04-F02C	094-6636-0002	MCKS-C2-B-37S6G1-36.0
1-1532176-9	18	M83513/04-F03C	094-6636-0003	MCKS-C2-B-37S6G9-18.0
2-1532176-0	36	M83513/04-F04C	094-6636-0004	MCKS-C2-B-37S6G9-36.0
2-1532176-1	0.5	M83513/04-F05C	094-6636-0005	MCKS-C2-B-37S5L4-0.5
2-1532176-2	1.0	M83513/04-F06C	094-6636-0006	MCKS-C2-B-37S5L4-1.0
2-1532176-3	0.5	M83513/04-F07C	094-6636-0007	MCKS-C2-B-37S5L5-0.5
2-1532176-4	1.0	M83513/04-F08C	094-6636-0008	MCKS-C2-B-37S5L5-1.0
2-1532176-5	18	M83513/04-F09C	094-6636-0009	MCKS-C2-B-37S6Q1-18.0
2-1532176-6	36	M83513/04-F10C	094-6636-0010	MCKS-C2-B-37S6Q1-36.0
2-1532176-7	18	M83513/04-F11C	094-6636-0011	MCKS-C2-B-37S6Q9-18.0
2-1532176-8	36	M83513/04-F12C	094-6636-0012	MCKS-C2-B-37S6Q9-36.0
2-1532176-9	72	M83513/04-F13C	094-6636-0013	MCKS-C2-B-37S6G1-72.0
3-1532176-0	72	M83513/04-F14C	094-6636-0014	MCKS-C2-B-37S6G9-72.0
3-1532176-1	72	M83513/04-F15C	094-6636-0015	MCKS-C2-B-37S6Q1-72.0
3-1532176-2	72	M83513/04-F16C	094-6636-0016	MCKS-C2-B-37S6Q9-72.0

TE PART NUMBER	L DIM	MIL-DTL-83513 PIN	MICRODOT P/N	MCKS DESCRIPTION
3-1532176-3	18	M83513/04-F01P	094-6646-0001	MCKS-P1-B-37S6G1-18.0
3-1532176-4	36	M83513/04-F02P	094-6646-0002	MCKS-P1-B-37S6G1-36.0
3-1532176-5	18	M83513/04-F03P	094-6646-0003	MCKS-P1-B-37S6G9-18.0
3-1532176-6	36	M83513/04-F04P	094-6646-0004	MCKS-P1-B-37S6G9-36.0
3-1532176-7	0.5	M83513/04-F05P	094-6646-0005	MCKS-P1-B-37S5L4-0.5
3-1532176-8	1.0	M83513/04-F06P	094-6646-0006	MCKS-P1-B-37S5L4-1.0
3-1532176-9	0.5	M83513/04-F07P	094-6646-0007	MCKS-P1-B-37S5L5-0.5
4-1532176-0	1.0	M83513/04-F08P	094-6646-0008	MCKS-P1-B-37S5L5-1.0
4-1532176-1	18	M83513/04-F09P	094-6646-0009	MCKS-P1-B-37S6Q1-18.0
4-1532176-2	36	M83513/04-F10P	094-6646-0010	MCKS-P1-B-37S6Q1-36.0
4-1532176-3	18	M83513/04-F11P	094-6646-0011	MCKS-P1-B-37S6Q9-18.0
4-1532176-4	36	M83513/04-F12P	094-6646-0012	MCKS-P1-B-37S6Q9-36.0
4-1532176-5	72	M83513/04-F13P	094-6646-0013	MCKS-P1-B-37S6G1-72.0
4-1532176-6	72	M83513/04-F14P	094-6646-0014	MCKS-P1-B-37S6G9-72.0
4-1532176-7	72	M83513/04-F15P	094-6646-0015	MCKS-P1-B-37S6Q1-72.0
4-1532176-8	72	M83513/04-F16P	094-6646-0016	MCKS-P1-B-37S6Q9-72.0

THIS DRAWING IS A CONTROLLED DOCUMENT.		DWN B ROMANCHUK	03SEP2008	 TE Connectivity	
DIMENSIONS: IN		CHK -	-		
TOLERANCES UNLESS OTHERWISE SPECIFIED:		APVD M. STORRY	03SEP2008	NAME RECEPTACLE ASSEMBLY	
0 PLC ±-		PRODUCT SPEC		MICRO-D PER MIL-DTL-83513/04	
1 PLC ±-		APPLICATION SPEC		MCKS SERIES, 37 POSITION	
2 PLC ±.010		SIZE		CAGE CODE	DRAWING NO
3 PLC ±.005		WEIGHT		A2	98278
4 PLC ±-		CUSTOMER DRAWING		SCALE	4:1
ANGLES ±1°		SHEET		2	2
FINISH		REV		B	

# Mouser Electronics

Authorized Distributor

Click to View Pricing, Inventory, Delivery & Lifecycle Information:

## TE Connectivity:

[M83513/04-F07C](#) [M83513/04-F12N](#) [M83513/04-F14N](#) [M83513/04-F09N](#) [M83513/04-F04N](#) [M83513/04-F09C](#)  
[M83513/04-F02N](#) [M83513/04-F01N](#) [M83513/04-F11N](#) [M83513/04-F16N](#) [M83513/04-F15N](#) [M83513/04-F13N](#)  
[M83513/04-F16C](#) [M83513/04-F10N](#)