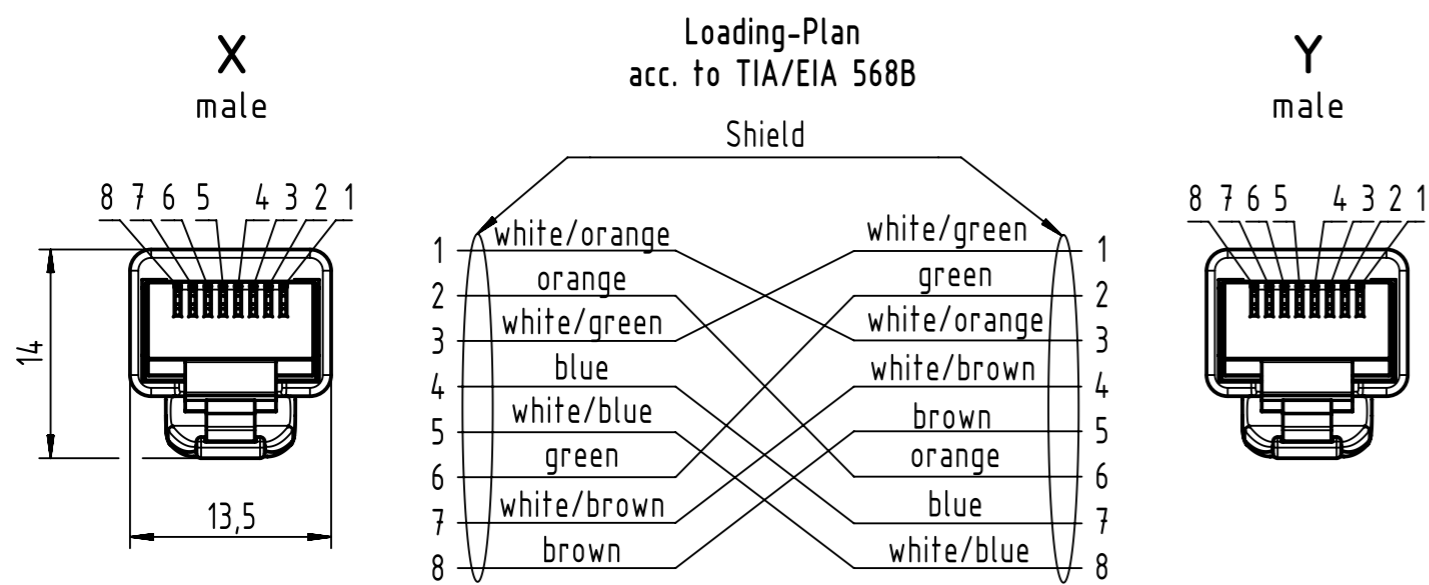
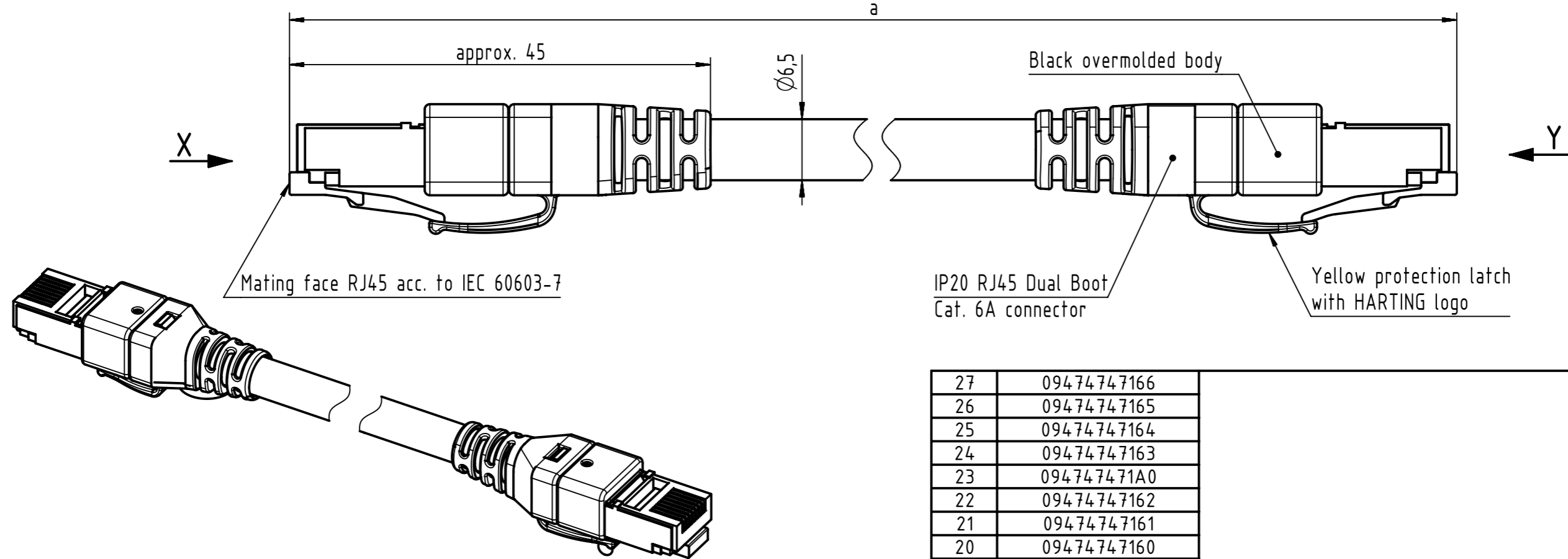


Connector Location A

Connector Location B



Temperature range:
 - Fixed installation: -30°C ...+75°C
 - Dynamic installation: -5°C ...+50°C

NOTE:
 For lengths < 1.0m:
 - relative positioning of the connectors to each other will be as presented in the drawing, however with an admissible angular deviation around cable axis of ± 30°
 For lengths ≥ 1.0m:
 -relative positioning of the connectors to each other not obligatory

| 27 | 09474747166 | 4x2xAWG27/7, S/FTP, PUR, Cat.7, yellow | 50 | ±1% |
|-----------|-------------|--|-----------|-------|
| 26 | 09474747165 | | 40 | |
| 25 | 09474747164 | | 30 | |
| 24 | 09474747163 | | 20 | |
| 23 | 094747471A0 | | 18 | |
| 22 | 09474747162 | | 15 | |
| 21 | 09474747161 | | 10 | |
| 20 | 09474747160 | | 9 | |
| 19 | 09474747159 | | 8 | |
| 18 | 09474747158 | | 7.5 | |
| 17 | 09474747157 | | 7 | |
| 16 | 09474747156 | | 6 | |
| 15 | 09474747155 | | 5 | |
| 14 | 09474747154 | | 4 | +0.04 |
| 13 | 09474747153 | | 3 | |
| 12 | 09474747152 | | 2.5 | |
| 11 | 09474747151 | | 2 | |
| 10 | 09474747150 | | 1.5 | |
| 9 | 09474747149 | | 1 | |
| 8 | 09474747148 | | 0.9 | |
| 7 | 09474747147 | | 0.8 | |
| 6 | 09474747146 | | 0.7 | |
| 5 | 09474747145 | | 0.6 | |
| 4 | 09474747144 | | 0.5 | +0.02 |
| 3 | 09474747143 | | 0.4 | |
| 2 | 09474747142 | | 0.3 | |
| 1 | 09474747141 | | 0.2 | |
| Cont. no. | Part no. | Type of cable | Dim. a[m] | |

| | | | | | | | | | | | | |
|------------------------------|---------------------|---------|------------------------------------|--------------------|--|----------------|-----------------------|--|-----------------|--|---------------------|--|
| | All rights reserved | | Created by COSTEA | | Inspected by MUNTEANV | | Standardisation AVRAM | | Date 2017-07-03 | | State Final Release | |
| | Department HCS - RO | | Title RJ Industrial Cable Assembly | | Doc-Key / ECM-Nr. 100170398/UGD/022/D 500000121358 | | Rev. D | | Page 1/1 | | | |
| HARTING Customised Solutions | | Type TB | | Number 09474747XXX | | D-32427 Minden | | | | | | |

Mouser Electronics

Authorized Distributor

Click to View Pricing, Inventory, Delivery & Lifecycle Information:

HARTING:

[09474747141](#) [09474747142](#) [09474747143](#) [09474747144](#) [09474747145](#) [09474747146](#) [09474747147](#)
[09474747148](#) [09474747149](#) [09474747150](#) [09474747151](#) [09474747152](#) [09474747153](#) [09474747154](#) [09474747155](#)
[09474747156](#) [09474747157](#) [09474747158](#) [09474747159](#) [09474747160](#) [09474747161](#) [09474747162](#)
[09474747163](#) [09474747164](#) [09474747165](#)