

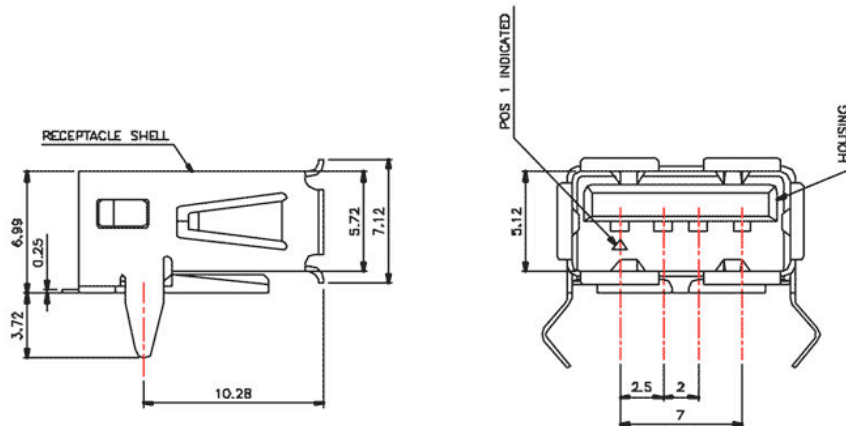
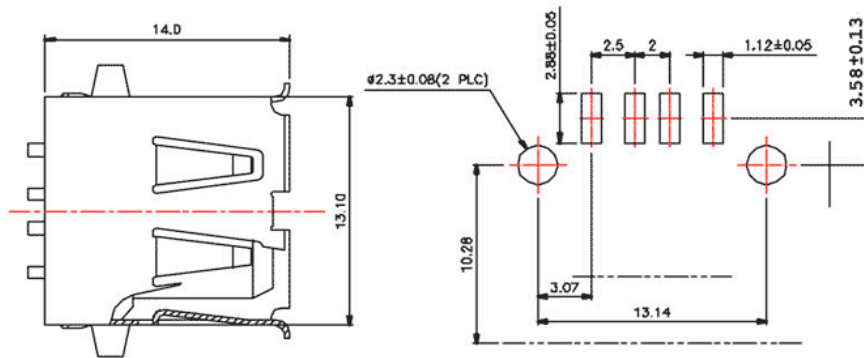
USB Connector A Type PCB R/A SMT
SPECIFICATIONS

Materials

Insulator: thermoplastic, glass filled, UL 94V-0
 Contacts: Phosphor bronze
 Plated: 10µ" gold plated
 SMD Plated: 120µ" tin plated
 Plastic: Nylon 6T
 Shell: Copper alloy, tin plated

Electrical

Insulation Resistance: 1000 MΩ minimum
 Contact Resistance: 30 mΩ Max. initial
 Dielectric Withstanding Voltage: 750V AC for one minute
 Current: 1.5 Ampere max. per contact at 30°C T-rise
 Voltage: 30V AC (rms)
 Temperature: -55°C ~85°C



Order Information

33UBA RS1 - 04 S W 1 1
 1 2 3 4 5 6 7

1. Series No.
33UBA

3. No. Of Contacts
04: 4 pin

5. Insulator Color
W: White

7. Packaging
1: Packed in tray

2. Terminal Version
RS1: R/A SMT

4. Connector Type
S: Female

6. Shield
1: W/O back shell
0: W/ back shell



File #: 127344



File #: LR97981

Mouser Electronics

Authorized Distributor

Click to View Pricing, Inventory, Delivery & Lifecycle Information:

[CONEC:](#)

[33UBARS1-04SW11](#)