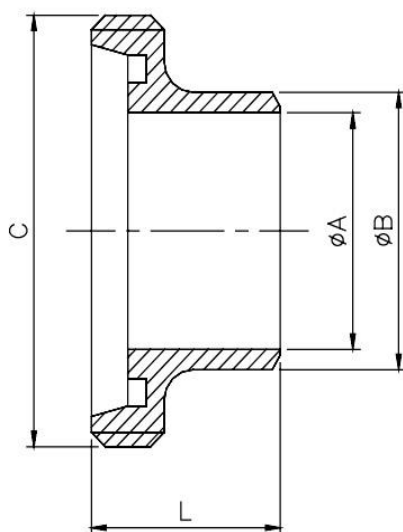




ENGLISH

Datesheet

## DIN-15 WELD MALE 11851



RS Code	SIZE	A	B	C	L
918-6239	DN15	16	21	RD34x1/8	21
918-6248	DN20	20	25	RD44x1/6	24
918-6241	DN25	26	31	RD52x1/6	29
918-6245	DN32	32	37	RD58x1/6	32
918-6254	DN40	38	43	RD65x1/6	33
918-6257	DN50	50	55	RD78x1/6	35

unit:mm

### FEATURES

- Material : SS 304
- Applications : Food, Drinking Water