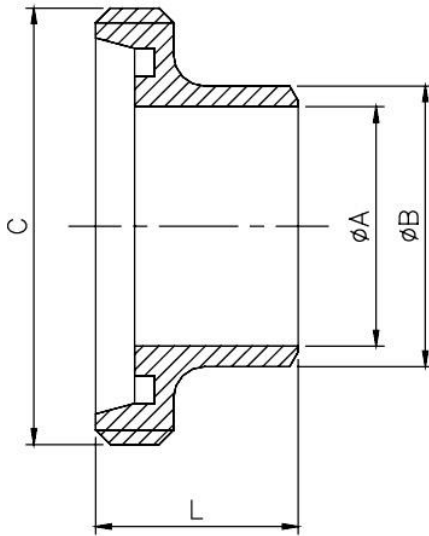


Datesheet

DIN-15DB WELD MALE 11851



RS Code	SIZE	A	B	C	L
918-6217	DN15	15	18	RD34x1/8	21
918-6226	DN20	19	22	RD44x1/6	24
918-6229	DN25	25	28	RD52x1/6	29
918-6223	DN32	31	34	RD58x1/6	32
918-6232	DN40	37	40	RD65x1/6	33
918-6235	DN50	49	52	RD78x1/6	35

unit:mm

FEATURES

- Material : SS 304
- Applications : Food, Drinking Water