











Hypra[®] IP 44 sockets and plugs metal, plastic, rubber, IP 44/55 Prinsinter
LV 16 to 63 A and ELV 16 and 32 A

Conform to IEC 60309-1 and IEC 60309-2 IP 44 according to IEC 60529
IK 09: plastic and rubber
IK 10: metal according to IEC 62262
Self-extinguishing:
- 850°C (support of active parts) / 960°C for Prinsinter)
- 650°C: plastic housing conform to IEC 60695-2-10
- 50°C to + 100°C (- 20°C for Prinsinter)

 Dimensions p. 365

			FUNCTIONS										FUNCTIONS											
			Prinsinter ⁽²⁾		Panel mounting sockets			Surface mounting sockets		Through wiring surface mounting sockets			Straight plugs			Angled plugs			Mobile sockets		Panel appliance inlets		Surface appliance inlets	
																								
			Panel mounting sockets		Surface mounting sockets																			
LV			metal	plastic	metal	plastic	with single fixing centres	metal	plastic	plastic	metal	plastic	rubber	metal	plastic	rubber	plastic	rubber	metal	plastic	metal	plastic		
100 to 130 V [~] 50/60 Hz	16 A	2P+E	-	0 519 10	-	0 519 10 + 0 520 49	-	0 519 20	0 519 19	-	0 519 20 + 0 520 29 ⁽¹⁾	0 519 20 + 0 520 89	-	0 519 40	-	-	-	0 519 80	-	-	0 519 70	-	519 70 + 520 79	
	16 A	2P+E	0 520 12	0 520 02	0 520 12 + 0 520 59	0 520 02 + 0 520 49	0 520 32	0 520 22 ⁽¹⁾	0 520 18 ⁽¹⁾	0 520 32 + 0 520 39	0 520 22 ⁽¹⁾ + 0 520 29 ⁽¹⁾	520 22 ⁽¹⁾ + 0 520 89	0 521 42	0 520 42 ⁽¹⁾	0 520 52 ⁽¹⁾	0 520 72	0 520 62 ⁽¹⁾	0 521 52	0 520 82 ⁽¹⁾	0 520 92	0 521 62	0 521 72	0 521 62 + 0 520 69	0 521 72 + 0 520 79
200 to 250 V [~] 50/60 Hz	32 A	2P+E	-	0 527 02	-	0 527 02 + 0 529 49	0 527 32	-	0 527 18	0 527 32 + 0 529 39	0 527 18 + 0 529 40	0 527 18 + 0 529 90	-	0 527 42	0 527 52	0 527 72	0 527 62	-	0 527 82	0 527 92	0 528 62	0 528 72	0 528 62 + 0 529 69	0 528 72 + 0 529 79
	16 A	3P+E	0 522 13	0 522 03	0 522 13 + 0 520 59	0 522 03 + 0 520 49	0 522 33	0 522 23 ⁽¹⁾	0 522 19 ⁽¹⁾	0 522 33 + 0 522 39 ⁽¹⁾	0 522 23 ⁽¹⁾ + 0 522 29 ⁽¹⁾	0 522 23 ⁽¹⁾ + 0 522 89	0 521 43	0 522 43 ⁽¹⁾	0 522 53 ⁽¹⁾	0 522 73	0 522 63 ⁽¹⁾	0 521 53 ⁽¹⁾	0 522 83 ⁽¹⁾	0 522 93 ⁽¹⁾	0 521 63	0 521 73	0 521 63 + 0 522 69	0 521 73 + 0 522 79
380 to 415 V [~] 50/60 Hz	16 A	3P+N+E	0 522 14	0 522 04	0 522 14 + 0 529 59	0 522 04 + 0 522 49	0 522 34	0 522 24 ⁽¹⁾	0 522 20	0 522 34 + 0 522 39 ⁽¹⁾	0 522 24 ⁽¹⁾ + 0 522 29 ⁽¹⁾	0 522 24 ⁽¹⁾ + 0 522 89	0 521 44	0 522 44 ⁽¹⁾	0 522 54	0 522 74	0 522 64	0 521 54	0 522 84	0 522 94	0 521 64	0 521 74	0 521 64 + 0 522 69	0 521 74 + 0 522 79
	32 A	3P+E	0 529 13	0 529 03	0 529 13 + 0 522 59	0 529 03 + 0 529 49	0 529 33	-	0 529 19	0 529 33 + 0 529 39	0 529 19 + 0 529 40	0 529 19 + 0 529 90	0 528 43	0 529 43 ⁽¹⁾	0 529 53 ⁽¹⁾	0 529 73	0 529 63	0 528 53	0 529 83	0 529 93 ⁽¹⁾	0 528 63	0 528 73	0 528 63 + 0 529 69	0 528 73 + 0 529 79
	32 A	3P+N+E	0 529 14	0 529 04	0 529 14 + 0 522 59	0 529 04 + 0 529 49	0 529 34	-	0 529 20	0 529 34 + 0 529 39	0 529 20 + 0 529 40	0 529 20 + 0 529 90	0 528 44	0 529 44 ⁽¹⁾	0 529 54	0 529 74	0 529 64	0 528 54	0 529 84	0 529 94	0 528 64	0 528 74	0 528 64 + 0 529 69	0 528 74 + 0 529 79
	63 A	3P+E	0 538 00	0 536 03	0 538 00 + 0 538 09	0 536 03 + 0 537 49	0 538 33	0 538 23	-	0 537 33	0 537 23	0 538 23 + 0 538 89	-	0 538 43	0 538 53	0 538 73	-	0 538 63	0 538 83	0 538 93	0 537 63	0 537 73	0 537 63 + 0 538 69	0 537 73 + 0 538 79
63 A	3P+N+E	0 538 01	0 536 04	0 538 01 + 0 538 09	0 536 04 + 0 537 49	0 538 34	0 538 24	-	0 537 34	0 537 24	0 538 24 + 0 538 89	-	0 538 44	0 538 54	0 538 74	-	0 538 64	0 538 84	0 538 94	0 537 64	0 537 74	0 537 64 + 0 538 69	0 537 74 + 0 538 79	
480 to 500 V [~] 50/60 Hz	16 A	3P+E	-	-	-	-	0 523 20	0 523 19	-	0 523 20 + 0 522 29 ⁽¹⁾	0 523 20 + 0 522 89	-	0 523 21	-	-	-	-	0 523 22	-	-	-	-	-	
	32 A	3P+E	-	-	-	-	-	0 523 59	-	0 523 59 + 0 529 40	0 523 59 + 0 529 90	-	0 523 61	-	-	-	-	0 523 62	-	-	-	-	-	
ELV																								
20 to 25 V [~] 50/60 Hz	16 A	2P	-	-	-	-	0 524 01 ⁽¹⁾	-	-	0 524 01 ⁽¹⁾ + 0 524 19 ⁽¹⁾	-	-	0 524 21 ⁽¹⁾	-	-	-	0 524 41 ⁽¹⁾	0 524 81	0 524 61	-	-	-	-	
	32 A	2P	-	-	-	-	0 525 01	-	-	0 525 01 + 0 524 19 ⁽¹⁾	-	-	0 525 21	-	-	-	0 525 41	0 525 81	0 525 61	-	-	-	-	



Mobile products dimensions see [e-catalogue](#) 

Special voltages and frequencies available on request **Please consult us**

Pack = 1 except 1: pack = 5
2: Dust resistance IP may be increased by rubber push-button (on request) - IP 55 cover closed or connected - IP 44 connected

Hypra[®] IP 66/67-55 plastic - increased safety
LV 16 to 125 A

**63 A and 125 A
easy connection
disconnection**

Conform to IEC 60309-1 and IEC 60309-2 IP according to IEC 60529 IK 09: Plastic Self-extinguishing: 850°C (support of active parts) / 650°C (plastic housing)

 Dimensions p. 366

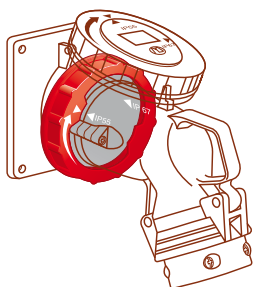
LV

FUNCTIONS

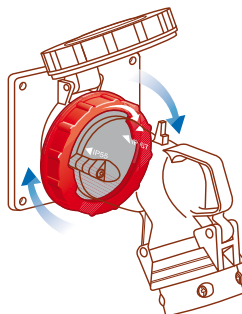
Panel mounting sockets	Surface mounting sockets	Through wiring surface mounting sockets	Straight plugs	Angled plugs	Mobile sockets	Surface appliance inlets	Straight panel appliance inlets	Socket with break isolating switch
								
inclined outlets	with single fixing centres							

200 to 250 V ~ 50/60 Hz	16 A	2P+E	Panel mounting sockets		Surface mounting sockets	Through wiring surface mounting sockets	Straight plugs	Angled plugs	Mobile sockets	Surface appliance inlets	Straight panel appliance inlets	Socket with break isolating switch
			inclined outlets	with single fixing centres								
			0 511 26 ⁽¹⁾	0 511 46	0 511 26 + 0 520 29 ⁽¹⁾	0 511 26 + 0 520 89	0 511 56 ⁽¹⁾	0 511 06	0 511 76	0 511 86	-	-
			-	0 530 46	0 530 46 + 0 529 40	0 530 46 + 0 529 90	0 530 56	0 530 06	0 530 76	0 530 86	-	-
380 to 415 V ~ 50/60 Hz	16 A	3P+E	0 511 30	0 511 50	0 511 30 + 0 522 29 ⁽¹⁾	0 511 30 + 0 522 89	0 511 60 ⁽¹⁾	0 511 10	0 511 80	0 511 90	-	-
		3P+N+E	0 511 31	0 511 51	0 511 31 + 0 522 29 ⁽¹⁾	0 511 31 + 0 522 89	0 511 61 ⁽¹⁾	0 511 11	0 511 81	0 511 91	-	-
	32 A	3P+E	-	0 530 50	0 530 50 + 0 529 40	0 530 50 + 0 529 90	0 530 60	0 530 10	0 530 80	0 530 90	-	-
		3P+N+E	-	0 530 51	0 530 51 + 0 529 40	0 530 51 + 0 529 90	0 530 61	0 530 11	0 530 81	0 530 91	-	-
	63 A	3P+E	0 594 27	-	0 594 37	0 594 27 + 0 538 89	0 594 47	-	0 594 87	-	0 594 77 ⁽²⁾	-
		3P+N+E	0 594 28	-	0 594 38	0 594 28 + 0 538 89	0 594 48	-	0 594 88	-	0 594 78 ⁽²⁾	-
125 A	3P+E	0 595 12	-	0 595 02	-	0 595 22	-	0 595 32	-	0 595 42	0 591 14	
	3P+N+E	0 595 13	-	0 595 03	-	0 595 23	-	0 595 33	-	0 595 43	0 591 15	

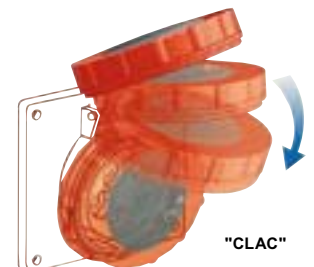
Complete range from 16 A to 125 A: IP 55 (minimum) guaranteed



When connected: IP 55 guaranteed with the cover closed on the plug (with a pair of Hypra IP 66/67-55 products)



IP 66/67 obtained with the ring locked



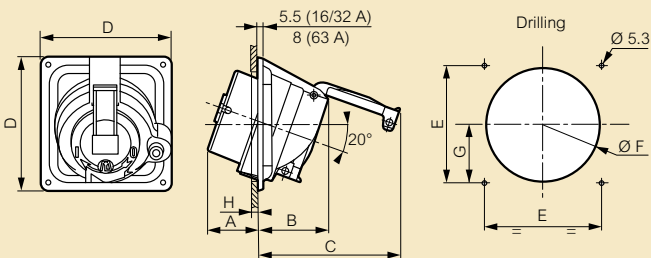
When not connected IP 55 assured when cover is closed; IP 66/67 obtained with the ring locked

Pack = 1 except 1: pack = 5
2: Can be fixed on Cat.No 0 538 89 to obtain a straight surface mounting appliance inlet

Hypra[®] IP 44 and IP 44/55 Prisinter[™] LV 16 to 125 A

■ Prisinter - panel mounting sockets - LV 16-32-63 A (p. 362)

Terminal connection (max.)
 BT 16 A : rigid - 1 x 4 mm²
 BT 32 A : rigid - 1 x 10 mm²
 BT 63 A : rigid - 1 x 25 mm²
 Prisinter sockets 32 A : flexible - 1 x 6 mm²
 Prisinter sockets 63 A : flexible - 1 x 16 mm²
 Conform to EN 60309-1, NF EN 60309-2, IEC 60309-1 and IEC 60309-2
 IK 09 : plastic and rubber
 IK 10 : metal according to EN 62262 et IEC 62262
 Self-extinguishing :
 850 °C support of active parts, 950 °C for Prisinter
 650 °C plastic housing
 - 50 °C à + 100 °C (- 20 °C for Prisinter)
 Icc 10 kA according to EN 60309-1 and IEC 60309-1
 Dust resistance IP may be increased by rubber push-button (on request)



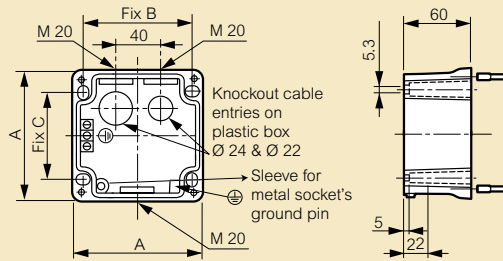
	Material	Weight (kg)	A	B	C	D	E	F		G	H
								min	max		max
16 A											
2P+E	Plastic	0.420	46	70	132	115	100	92	98	46	6 to 10
	Metal	1.250									
3P+E	Plastic	0.480	46	70	138	115	100	92	96	46	6 to 10
	Metal	1.330									
3P+N+E	Plastic	0.570	46	75	156	125	110	102	106	51.5	7
	Metal	1.470									
32 A											
2P+E	Plastic	0.570	54	77	153	143	125	115	122	58.5	10 to 20
	Metal	1.470									
3P+E	Plastic	0.610	54	77	153	143	125	115	122	58.5	10 to 20
	Metal	1.500									
3P+N+E	Plastic	0.650	55	79	169	143	125	119	122	58.5	9 to 13
	Metal	1.800									
63 A											
2P+E	Plastic	0.870	55	99	205	143	125	120	122	59.5	10 to 20
	Metal	1.500									
3P+E	Plastic	0.950	55	99	205	143	125	120	122	59.5	10 to 20
	Metal	1.850									
3P+N+E	Plastic	0.980	55	99	205	143	125	120	122	59.5	10 to 20
	Metal	2.200									

Breaking capacity 3 x 400 V_~ according to IEC 60947-1-3

Category	16 A	32 A	63 A	Category	125 A	
AC 1	16 A	32 A	63 A	AC 22 AC 23	400 V	70 kW
AC 23	8.4 kW	16.8 kW	33 kW		500 V	87 kW
AC 3					600 V	120 kW

■ Reversible box for Prisinter sockets

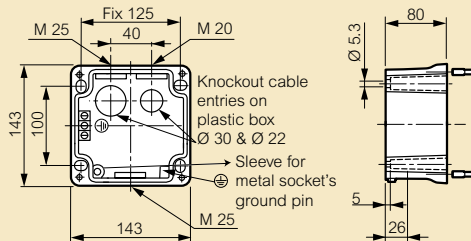
LV 16 A (p. 362)



3 entries among which
 2 entries M20 sealed with B20P blanking plug for auxiliary contact use
 Fitted with 2 connected earth terminals and 1 outside terminal on metal box

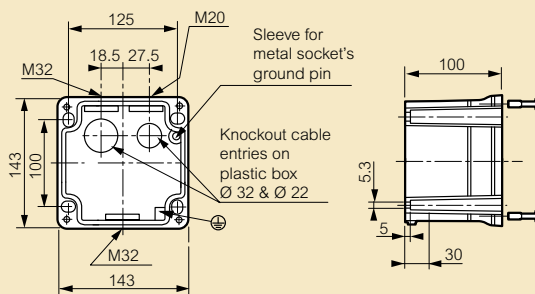
	Material	Weight (kg)	A (mm)	B (mm)	C (mm)
2P+E	Plastic	0.140	115	97	78
	Metal	0.800			
3P+N+E	Plastic	0.160	125	107	88
	Metal	0.900			

LV 32 A (p. 362)



3 entries among which
 1 M20 sealed with B20P blanking plug for auxiliary contact
 1 M25 sealed with B25P blanking plug
 Fitted with 2 connected earth terminals and 1 outside terminal on metal box

LV 63 A (p. 362)



3 entries among which
 1 M20 sealed with B20P blanking plug for auxiliary contact
 1 M32 sealed with B32P blanking plug
 Fitted with 1 outside earth terminal on metal box



Dust resistance IP can be increased by a rubber push-button

on special request

Hypra[®] IP 44, IP 66/67-55 panel mounting sockets

LV 16 to 125 A and ELV 16 and 32 A

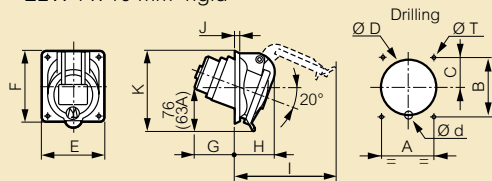
■ Dimensions

IP 44 - LV 16 to 63 A (p. 362) and ELV 16 and 32 A

External screws in stainless steel - Nickel-plated contacts
Enable realization of surface mounting sockets, associated with reversible box

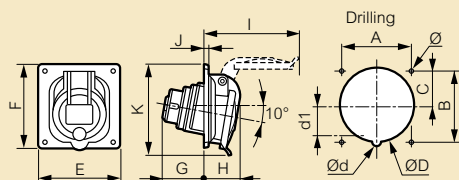
Terminal connection (max.):

- LV 16 A: 1 x 4 mm² rigid
- LV 32 A: 1 x 10 mm² rigid
- LV 63 A: 1 x 25 mm² rigid
- ELV: 1 x 10 mm² rigid



	Material	Weight (kg)	Drilling			Dimensions																					
			A	B	C	ØD	Ød	ØT	E	F	G	H	I	J	K												
LV - 16 A																											
2P+E	Plastic	0.110																									
	Metal	0.340	52	60	28	55	14.5	4.2	64	72	41	40	94	5.5	78.5												
3P+E	Plastic	0.140	60	70	31	63.5	14.5	5.2	74	84	44	40	98	5.5	88												
	Metal	0.405																									
3P+N+E	Plastic	0.165	60	70	33	70.6	-	5.2	80	84	44	44	110	5.5	93												
	Metal	0.450																									
LV - 32 A																											
2P+E/ 3P+E	Metal	0.605	70	80	38	76.2	10	5.2	84	94	50	53	120	5.5	103												
	Metal	0.660	70	80	38	76.2	10	5.2	84	94	52	56	124	5.5	107												
LV - 63 A																											
2P+E	Plastic	0.600																									
	Metal	0.950																									
3P+E	Plastic	0.640	77	85	-	92	-	6.5	106	106	98	70	160	6	129												
	Metal	1.000																									
3P+N+E	Plastic	0.700																									
	Metal	1.200																									
ELV-16/32 A																											
2P	Plastic	0.120	52	60	30	55	-	4.2	64	72	33	47	94	5.5	78.5												

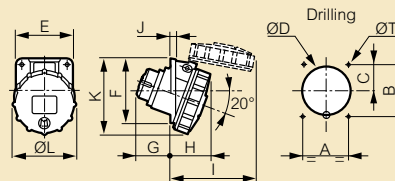
IP 44 - LV 16 and 32 A with single fixing centres (p. 362)



	Weight (kg)	A	B	C	ØD	Ød	d1	E	F	G	H	I	J	K	Ø
LV 16 A															
2P+E	0.110	70	70	35	76.2	/	/	84	84	37	36	89	4.5	88	4.2
3P+E	0.140	70	70	35	76.2	/	/	84	84	43	36	97	4.5	89	4.2
3P+N+E	0.165	70	70	35	76.2	/	/	84	84	43	37	106	4.5	91	4.2
LV - 32 A															
2P+E/ 3P+E	0.220	70	70	35	76.2	-	-	84	94	54	45	117	4.5	100	4.2
3P+N+E	0.255	70	70	35	76.2	8	36	84	94	54	46	125	4.5	102	4.2

IP 66/67-55 - LV 16 A (p. 364)

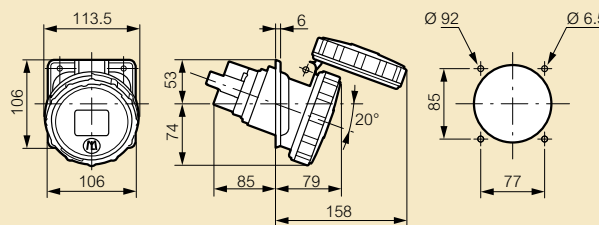
External screws in stainless steel - Nickel-plated contacts
Terminal connection (max.): 1 x 4 mm² rigid or flexible



	Weight (kg)	Drilling			Dimensions									
		A	B	C	ØD	ØT	E	F	G	H	I	J	K	L
LV - 16 A														
2P+E	0.140	52	60	33	55	4.2	64	72	40	45	91	5.5	87	72.5
3P+E	0.165	60	70	39	63.5	5.2	74	84	41	48	102	5.5	96	81
3P+N+E	0.195	60	70	37	70.6	5.2	80	84	42	50	106	5.5	96	86.5

IP 66/67-55 - LV 63 A (p. 364)

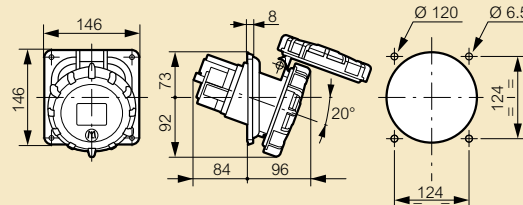
Terminal connection (max.): 1 x 25 mm² rigid



	Weight (kg)
2P+E	0.680
3P+E	0.710
3P+N+E	0.770

IP 66/67-55 - LV 125 A (p. 364)

Terminal connection (max.): 1 x 70 mm² rigid

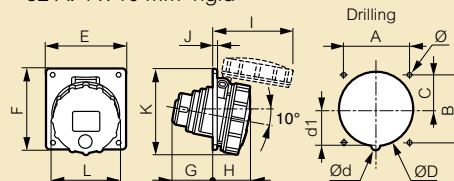


	Weight (kg)
3P+E	1.400
3P+N+E	1.550

IP 66/67-55 - LV 16 and 32 A with single fixing centres (p. 364)

Terminal connection (max.):

- 16 A: 1 x 4 mm² rigid
- 32 A: 1 x 10 mm² rigid



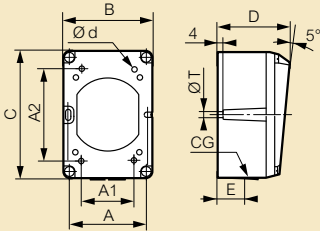
	Weight (kg)	Drilling			Dimensions (mm)											
		A	B	C	ØD	Ød	d1	Ø	E	F	G	H	I	J	K	ØL
LV 16 A																
2P+E	0.140	70	70	35	76.2	-	-	4.2	84	84	42	39	83	4.5	90	72.5
3P+E	0.165	70	70	35	76.2	-	-	4.2	84	84	43	41	98	4.5	93	81
3P+N+E	0.195	70	70	35	76.2	-	-	4.2	84	84	43	41	99	4.5	91	86.5
LV 32 A																
2P+E	0.240	70	70	35	76.2	-	-	4.2	84	94	54	50	113	4.5	101	94.5
3P+E	0.240	70	70	35	76.2	-	-	4.2	84	94	54	50	113	4.5	101	94.5
3P+N+E	0.270	70	70	35	76.2	8	36	4.2	84	94	54	51	120	4.5	103	101

Hypra[®] IP 44, IP 66/67-55 surface mounting sockets reversible box

LV 16 to 63 A and ELV 16 and 32 A

■ Dimensions

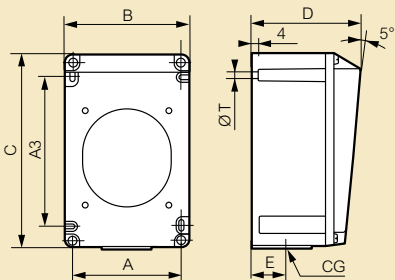
IP 44 ELV 16 and 32 A - IP 44, IP 66/67-55 - LV 16 A (p. 362, 364)



Fix A1 and A2:
Blind optional fixing points
Metal boxes fitted with
- 2 connected earth terminals and
1 outside terminal
- 1 sleeve for metal socket's ground pin

Surface mounting sockets → Panel mounting sockets ↓	Material	Weight (kg)	Drilling					Dimensions					CG cable gland
			A1	A2	Ød	A	ØT	B	C	D	E		
IP 44 - ELV 16/32 A													
2P+E	Plastic	0.115	51	68	4.2	64	5.3	74	106	58	20	M 25	
IP 44 and IP 66/67-55 - LV 16 A													
2P+E	Plastic	0.115	51	68	4.2	64	5.3	74	106	58	20	M 20	
	Metal	0.400											
3P+E/ 3P+N+E	Plastic	0.160	68	68	4.2	85	5.3	96	122	60	22	M 20	
	Metal	0.520											

IP 44, IP 66/67-55 - LV 32 A (p. 362, 364)



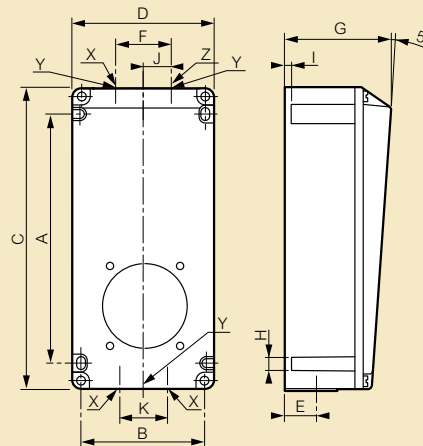
Blind optional fixing points
Metal boxes fitted with
- 2 connected earth terminals and
1 outside terminal
- 1 sleeve for metal socket's ground pin

Surface mounting sockets → Panel mounting sockets ↓	Material	Weight (kg)	Drilling			Dimensions				CG cable gland
			A	A3	ØT	B	C	D	E	
IP 44 and IP 66/67-55 - LV 32 A										
2P+E/ 3P+E/ 3P+N+E	Plastic	0.340	90	125	5.3	102	162	90	26	M 25
	Metal	0.910								

Hypra[®] IP 44, IP66/67-55 and IP 66/67 through wiring surface mounting sockets

■ Dimensions

IP 44 - LV 16 to 63 A, IP 66/67-55 - LV 16 and 32 A, IP 66/67 - LV 63 A (p. 362, 364)



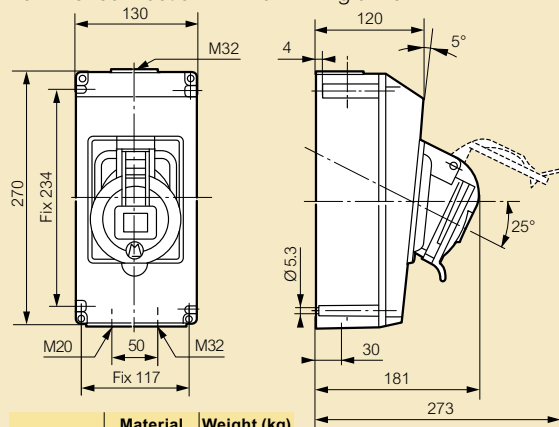
Surface mounting sockets → Panel mounting sockets ↓	Material	Weight (kg)	Drilling					Dimensions									
			A	B	H	C	D	E	F	G	I	J	K	X	Y	Z	
16 A																	
2P+E	Plastic	0.330	145	74	5.3	182	86	22	34	75	4	-	-	-	M 20		
	Metal	0.830															
3P+E/ 3P+N+E	Plastic	0.440	175	88	5.3	212	100	22	40	77	4	-	-	-	M 20		
	Metal	0.980															
32 A																	
2P+E/ 3P+E/ 3P+N+E	Plastic	0.670	234	117	5.3	270	130	30	50	120	4	-	-	-	M 25		
	Metal	1.730															
63 A (Panel appliance inlets 63 A can be fixed)																	
2P+E/ 3P+E/ 3P+N+E	Plastic	2.000	260	152	6.3	300	170	40	-	150	8	50	70	M 32	-		
	Metal	4.300														157	

Hypra[®] IP 44 and IP 66/67-55 surface mounting sockets

External screws in stainless steel - Nickel-plated contacts

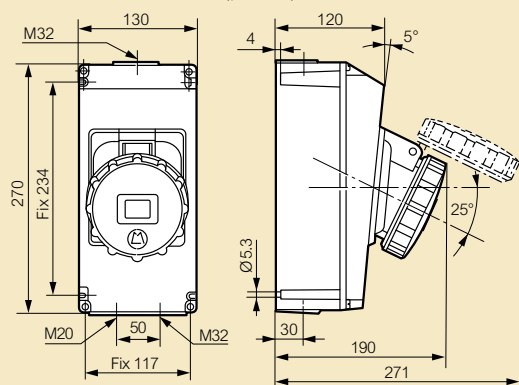
IP 44 - LV 63 A (p. 362)

Terminal connection: 1 x 25 mm² rigid max.



	Material	Weight (kg)
3P+E	Plastic	1.45
	Metal	4.95
3P+N+E	Plastic	1.5
	Metal	5

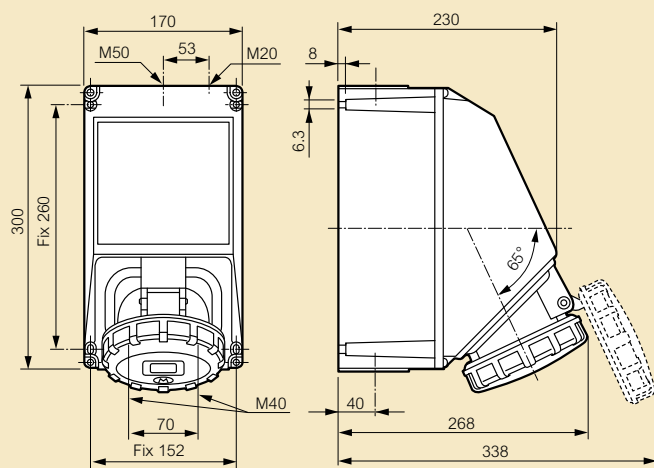
IP 66/67-55 - LV 63 A (p. 364)



	Weight (kg)
2P+E	1.500
3P+E	1.550
3P+N+E	1.600

IP 66/67-55 - LV 125 A (p. 364)

Terminal connection: 1 x 70 mm² rigid max.



	Weight (kg)
3P+E	3.5
3P+N+E	3.7

Hypra[®] IP 44 - panel appliance inlets and reversible boxes

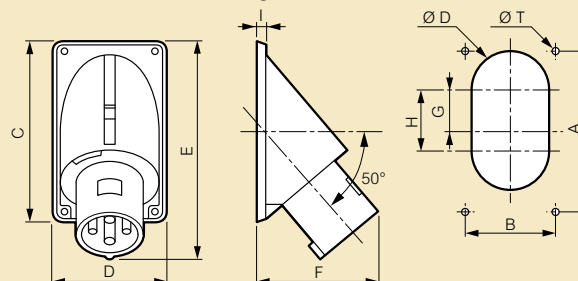
External screws in stainless steel - Nickel-plated contacts

■ Panel appliance inlets (inclined)

IP 44: LV 16, 32 and 63 A (p. 362)

Terminal connections:

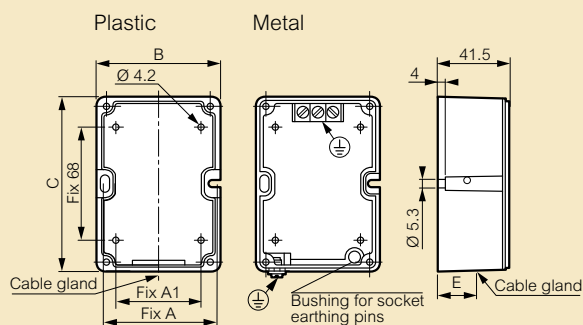
- 16 A: 1 x 2.5 mm² max. rigid
- 32 A: 1 x 6 mm² max. rigid
- 63 A: 1 x 25 mm² max. rigid



	Material	Weight (kg)	Drilling					Dimensions					
			A	B	ØT	ØD	G	H	C	D	E	F	I
LV - 16 A													
2P+E	Plastic	0.140	94	62	4.5	40	-	-	104	72	121	78	6
	Metal	0.530											
3P+E	Plastic	0.160	109	83	4.5	40	-	-	120	94	135	86	6
	Metal	0.630											
3P+N+E	Plastic	0.190	109	83	4.5	40	-	-	120	94	139	86	6
	Metal	0.690											
LV - 32 A													
2P+E/3P+E	Plastic	0.280	149	90	5.5	40	-	-	160	101	176	111	6
	Metal	0.950											
3P+N+E	Plastic	0.320	149	90	5.5	40	-	-	160	101	174	108	6
	Metal	1.000											
LV - 63 A													
2P+E	Plastic	0.560	163	93	6.5	80	42	62	183	113	221	120	8
3P+E	Plastic	0.630											
3P+N+E	Plastic	0.690	163	93	6.5	80	42	62	183	113	221	120	8
	Metal	2.450											

■ Reversible boxes for surface appliance inlets

LV 16 A (p. 362)



Fix A1 and Fix 68 :
Blind optional fixing points

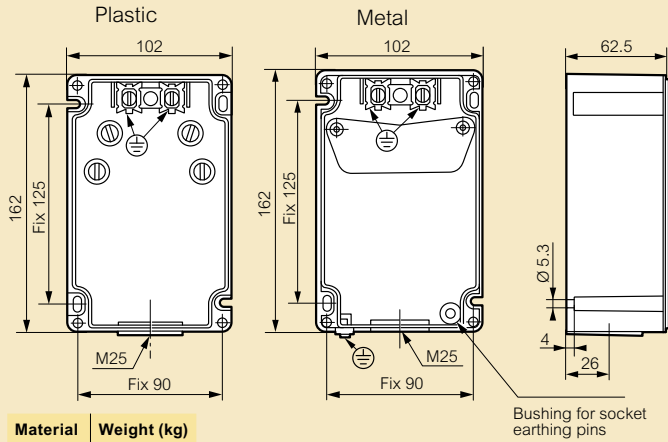
	Material	Weight (kg)	A	A1	B	C	E	Cable gland
2P+E	Plastic	0.085	64	51	74	106	20	M20
	Metal	0.250						
3P+E	Plastic	0.110	85	68	96	122	22	M20
	Metal	0.360						

Hypra[®] IP 44 and IP 66/67-55 - appliance inlets and reversible boxes

Hypra[®] IP 66/67-55 - appliance inlets and sockets with break isolating switch

LV 32 A (p. 362)

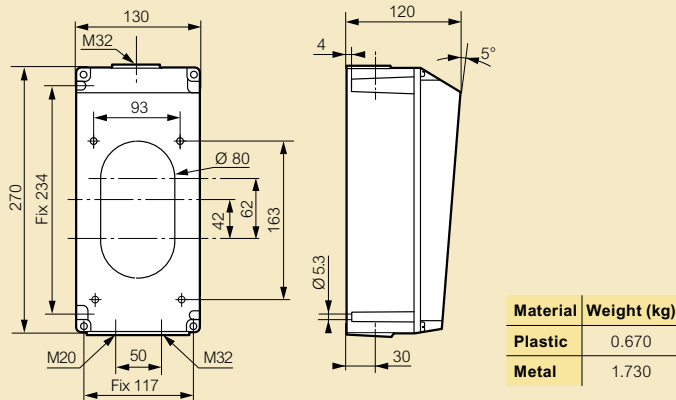
Fitted with 2 connected earth terminals and 1 outside terminal on metal box



Material	Weight (kg)
Plastic	0.240
Metal	0.650

LV 63 A (p. 362)

Fitted with 2 connected earth terminals and 1 outside terminal on metal box



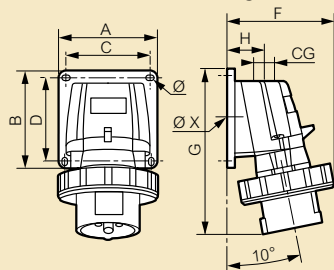
Material	Weight (kg)
Plastic	0.670
Metal	1.730

Surface mounting appliance inlets

IP 66/67-55 - LV 16 and 32 A (p. 364)

Terminal connections:

- 16 A: 1 x 2.5 mm² max. rigid
- 32 A: 1 x 6 mm² max. rigid



	Weight	A/B	C/D	F	G	H	CG cable gland	Ø	ØX
16 A									
2P + E	0.188			87	126				
3P + E	0.257	84	72	95	134	34	M 20	4.3	17
3P+N+E	0.297			100	141				
32 A									
2P + E	0.370			107	168	39	M 25	5.3	24
3P + E		110	98						
3P+N+E	0.413			113					

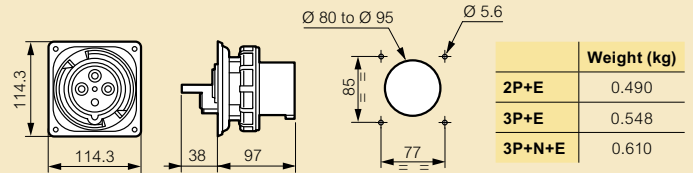
Panel mounting appliance inlets

External screws in stainless steel - Nickel-plated contacts

IP 66/67-55 - 63 A (p. 364)

Can be fixed on box Cat.No 0 538 89 (p. 362)

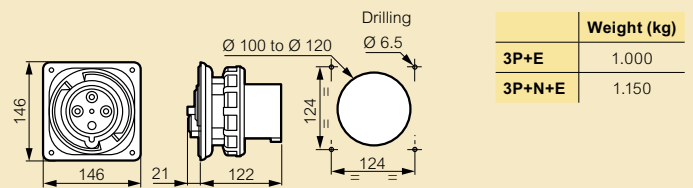
Terminal connection: 1 x 16 mm² max. rigid



	Weight (kg)
2P+E	0.490
3P+E	0.548
3P+N+E	0.610

IP 66/67-55 - 125 A (p. 364)

Terminal connection: 1 x 50 mm² max. rigid



	Weight (kg)
3P+E	1.000
3P+N+E	1.150

Socket with break isolating switch

IP 66/67-55 - LV 125 A (p. 364)

IP 67 according to IEC and EN 60529

Icc 10 kA according to IEC and EN 60309-1

Panel mounting sockets: IK 09 according to IEC and EN 62262

External screws in stainless steel

