

## 233-105 Crimp contact series with accessory threads

How To Order - 233-105							
<b>Sample Part Number</b>	<b>233-105</b>	<b>-20</b>	<b>NF</b>	<b>17-8</b>	<b>P</b>	<b>N</b>	<b>-LC</b>
<b>Series / Basic Part No.</b>	MIL-DTL-38999 Series III Environmental Connector						
<b>Connector Style</b>	<b>20</b> = Wall mount receptacle <b>24</b> = Jam nut receptacle <b>26</b> = Plug						
<b>Material and Finish</b>	See Table I						
<b>Shell Size-Insert Arrangement</b>	Per MIL-STD-1560						
<b>Contact Type</b>	<b>P</b> = Pin, 500 cycles <b>A</b> = Pin insert, less standard contacts			<b>S</b> = Socket, 500 cycles <b>B</b> = Socket insert, less standard contacts			
<b>Alternate Polarization</b>	<b>A, B, C, D, E, N</b> = Normal						
<b>Mod Code for Less Contacts</b>	Connector marked with <b>P</b> or <b>S</b> according to insert but supplied less contacts						

Table I: Material and Finish				
38999	233-105	Material	Finish Description	RoHS
<b>F</b>	<b>ME</b>	Aluminum	Electroless nickel (48 hr. salt spray)	<input checked="" type="checkbox"/>
<b>G</b>	<b>MA</b>		Space-grade electroless nickel, matte (48 hr. salt spray)	<input checked="" type="checkbox"/>
<b>T</b>	<b>MT</b>		Ni-PTFE	<input checked="" type="checkbox"/>
<b>W</b>	<b>NF</b>		Cadmium O.D. over electroless nickel (500 hr. salt spray)	<input type="checkbox"/>
<b>Z*</b>	<b>ZR</b>		Black zinc-nickel over electroless nickel	<input checked="" type="checkbox"/>
*qualification pending				

Connector Mating and Accessory Thread Dimensions			
Shell Size Code	Shell Size	A Thread	J Thread
<b>A</b>	9	.6250-.1P-.3L-TS-2A	M12 X 1.0-6g 0.100R
<b>B</b>	11	.7500-.1P-.3L-TS-2A	M15 X 1.0-6g 0.100R
<b>C</b>	13	.8750-.1P-.3L-TS-2A	M18 X 1.0-6g 0.100R
<b>D</b>	15	1.0000-.1P-.3L-TS-2A	M22 X 1.0-6g 0.100R
<b>E</b>	17	1.1875-.1P-.3L-TS-2A	M25 X 1.0-6g 0.100R
<b>F</b>	19	1.2500-.1P-.3L-TS-2A	M28 X 1.0-6g 0.100R
<b>G</b>	21	1.3750-.1P-.3L-TS-2A	M31 X 1.0-6g 0.100R
<b>H</b>	23	1.5000-.1P-.3L-TS-2A	M34 X 1.0-6g 0.100R
<b>J</b>	25	1.6250-.1P-.3L-TS-2A	M37 X 1.0-6g 0.100R

Wire Accommodation	
Contact Size	Wire Gauge
<b>23</b>	#22 - #28
<b>22D</b>	#22 - #28
<b>20</b>	#20 - #24
<b>16</b>	#16 - #20
<b>12</b>	#12 - #14

## NOTES

- 233-105 is designed to meet or exceed the mechanical, electrical, environmental and dimensional requirements of D38999/20, /24 & /26.
- Insert arrangements IAW MIL-STD-1560, Glenair HD and size #8 shielded contact insert arrangements available only in COTS series
- Blue color band indicates rear release retention system.
- Connector is supplied with contacts (including spares), insertion/removal tool and sealing plugs.
- Dimensions in inches (millimeters) are subject to change without notice
- Consult factory for additional information

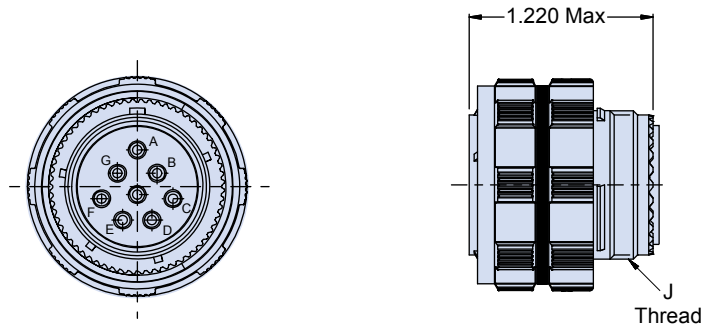
# MIL-DTL-38999 Series III Environmental connectors

## D38999/20, /24, /26 Crimp contact series

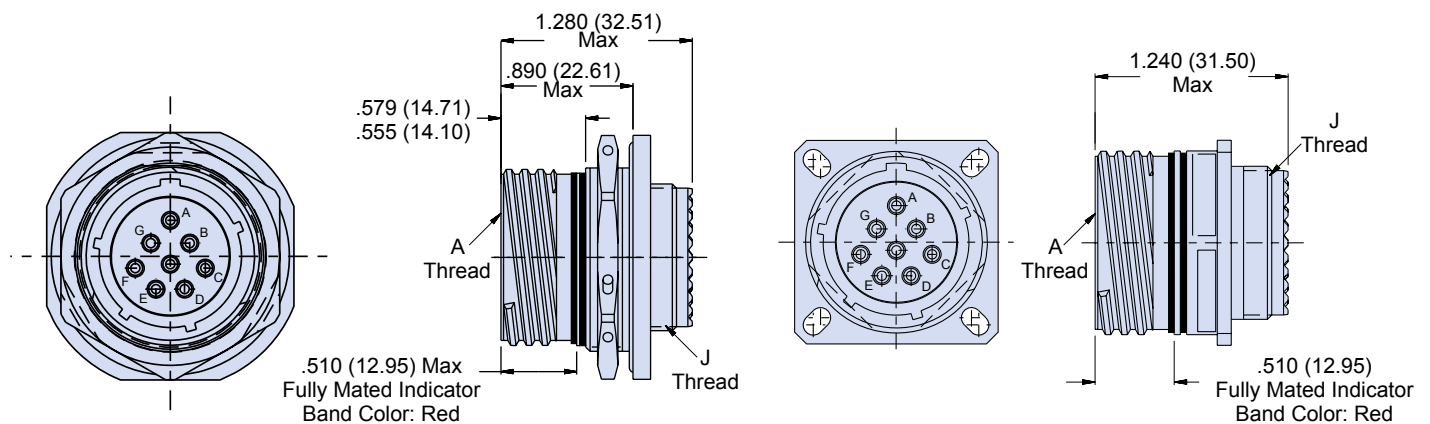


How To Order - Mil-Spec							
Sample Part Number	D38999/	20	W	A	35	P	N
Series / Basic Part No.	MIL-DTL-38999 Series III Environmental Connector						
Connector Style	20 = Wall mount receptacle 24 = Jam nut receptacle 26 = Plug						
Class (Material and Finish)	See Table I						
Shell Size Code	A, B, C, D, E, F, G, H and J (per MIL-STD-1560)						
Insert Pattern	See pages 4–9 (per MIL-STD-1560)						
Contact Type	P = Pin, 500 cycles A = Pin insert, less standard contacts			S = Socket, 500 cycles B = Socket insert, less standard contacts			
Alternate Polarization	A, B, C, D, E, N = Normal						

### PLUG WITH ACCESSORY THREADS



### JAM NUT RECEPTACLE AND WALL MOUNT RECEPTACLE



# Mouser Electronics

Authorized Distributor

Click to View Pricing, Inventory, Delivery & Lifecycle Information:

## Glenair:

[D38999/20GE6BE](#) [D38999/26WE26AE](#) [D38999/26FB5SN](#) [D38999/24WG11PB-LC](#) [D38999/20WD15BC](#)  
[D38999/26GH36BB](#) [D38999/26GF32BA](#) [D38999/24GD15SA](#) [D38999/24FJ43SB](#) [D38999/20WE6BD](#)  
[D38999/26GJ19PN-LC](#) [D38999/26GG24PN](#) [D38999/24WD97SE](#) [D38999/24FB5SC-LC](#) [D38999/20FD35SB-LC](#)  
[D38999/24WD15PC](#) [D38999/24GG41PB](#) [D38999/26FH97AA](#) [D38999/24WB99AA](#) [D38999/24GG16SN](#)  
[D38999/20FG39PD-LC](#) [D38999/26FF11PD-LC](#) [D38999/26FJ61PE-LC](#) [D38999/26FH32PE](#) [D38999/26WH99BD](#)  
[D38999/26WH21PB-LC](#) [D38999/26GJ37SN-LC](#) [D38999/24WD18PE](#) [D38999/24GH34SE](#) [D38999/24FJ61PC-LC](#)  
[D38999/20FH97BC](#) [D38999/20FG25AB](#) [D38999/26WB2BC](#) [D38999/26FH53AC](#) [D38999/20GH34PN-LC](#)  
[D38999/20FJ19BA](#) [D38999/26WG41SD](#) [D38999/26GJ35AB](#) [D38999/26WD5PA-LC](#) [D38999/20WJ24PC-LC](#)  
[D38999/20GH34AA](#) [D38999/20GC98PA](#) [D38999/24WF45BN](#) [D38999/24FJ19BE](#) [D38999/24FG25PB](#)  
[D38999/26GG11SD-LC](#) [D38999/24WJ29AD](#) [D38999/24FF30BB](#) [D38999/20WJ19SD](#) [D38999/20GF30SB](#)  
[D38999/20GC8SA-LC](#) [D38999/20FF32PC](#) [D38999/26GE99SA](#) [D38999/26FA98PE-LC](#) [D38999/24GB98PE-LC](#)  
[D38999/24FH99PN-LC](#) [D38999/24FG27AB](#) [D38999/20GE26PD-LC](#) [D38999/26GG16PD](#) [D38999/26GD35PC-LC](#)  
[D38999/20GF32PA-LC](#) [D38999/20FA98PN](#) [D38999/26GC4PB](#) [D38999/26GA98PA](#) [D38999/24WG39PD](#)  
[D38999/20WH35PD-LC](#) [D38999/20GH99SN](#) [D38999/24GG25AC](#) [D38999/20GG24SC-LC](#) [D38999/26GD19SD](#)  
[D38999/26WJ43SC-LC](#) [D38999/26GA35SA-LC](#) [D38999/24GF32PN](#) [D38999/26FJ35BD](#) [D38999/26FG35BC](#)  
[D38999/20FB99AC](#) [D38999/26WJ4PC](#) [D38999/26WE99PC](#) [D38999/24GJ4PD-LC](#) [D38999/20WF30PD](#)  
[D38999/20WB98SN-LC](#) [D38999/24FC98AC](#) [D38999/24GJ24AD](#) [D38999/24GF45PE](#) [D38999/24WD19BB](#)  
[D38999/24GJ61BA](#) [D38999/20FA35SN-LC](#) [D38999/26FG16SB](#) [D38999/26FD35SB](#) [D38999/20FJ37BN](#)  
[D38999/20GF11SN-LC](#) [D38999/24WG24SC-LC](#) [D38999/26GH97SE](#) [D38999/26GD97BC](#) [D38999/26FJ24PD](#)  
[D38999/20FE99SN](#) [D38999/26GB35AD](#) [D38999/20GB99BB](#) [D38999/26GG35AA](#) [D38999/26WA35PC-LC](#)