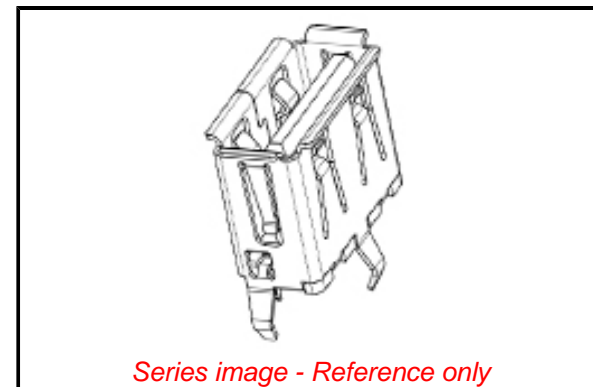


PLEASE CHECK WWW.MOLEX.COM FOR LATEST PART INFORMATION

Part Number: [1050570001](#)
Status: **Active**
Overview: [USB Products and Solutions](#)
Description: Universal Serial Bus (USB) Shielded I/O Type A Receptacle, Vertical, 0.76µm Gold (Au) Plating, 2.80mm Tail Length, with 3 Beveled Solder Tabs, Tray, Lead-Free

Documents:

3D Model	Packaging Specification PK-105057-001 (PDF)
3D Model (PDF)	Test Summary TS-105057-001-001 (PDF)
Drawing (PDF)	RoHS Certificate of Compliance (PDF)
Product Specification PS-105057-001-001 (PDF)	



General

Product Family	I/O Connectors
Series	105057
Application	Wire-to-Board
Component Type	Receptacle
Electrical Model	Yes
Overview	USB Products and Solutions
Product Name	USB 2.0
Type	A
UPC	191128079204

Physical

Circuits (Loaded)	4
Circuits (maximum)	4
Color - Resin	Black
Durability (mating cycles max)	20000
Gender	Female
Lock to Mating Part	Yes
Material - Plating Mating	Gold
Material - Plating Termination	Tin
Net Weight	1.160/g
Orientation	Vertical
PC Tail Length	2.80mm
PCB Locator	No
PCB Retention	Yes
PCB Thickness - Recommended	1.60mm
Packaging Type	Tray
Panel Mount	No
Pitch - Mating Interface	2.00mm, 2.50mm
Pitch - Termination Interface	2.00mm, 2.50mm
Plating min - Mating	0.762µm
Plating min - Termination	3.810µm
Polarized to Mating Part	Yes
Surface Mount Compatible (SMC)	No
Temperature Range - Operating	-40° to +85°C
Termination Interface: Style	Through Hole

Electrical

Current - Maximum per Contact	1.5A
Shielded	Yes
Voltage - Maximum	30V

Solder Process Data

Duration at Max. Process Temperature (seconds)	004
Lead-freeProcess Capability	REFLOW

EU ELV

Compliant

EU RoHS

Compliant

REACH SVHC

Not Contained Per -
ECHA_01_2020 (16
January 2020

Halogen-Free

Status

Low-Halogen

For more information, please visit [Contact US](#)

China ROHS

ELV

RoHS Phthalates

China RoHS

Green Image

Compliant

Not Contained

Search Parts in this Series

[105057 Series](#)

Mates With

USB Type A Cable

Max. Cycles at Max. Process Temperature	001
Process Temperature max. C	245

Material Info

Reference - Drawing Numbers

Electrical Model Document	EE-105057-001
Packaging Specification	PK-105057-001
Product Specification	PS-105057-001-001
S-Parameter Model	SP-105057-001
Sales Drawing	SD-105057-001
Test Summary	TS-105057-001-001

This document was generated on 04/21/2020

PLEASE CHECK WWW.MOLEX.COM FOR LATEST PART INFORMATION

Mouser Electronics

Authorized Distributor

Click to View Pricing, Inventory, Delivery & Lifecycle Information:

[Molex:](#)

[105057-0001](#)