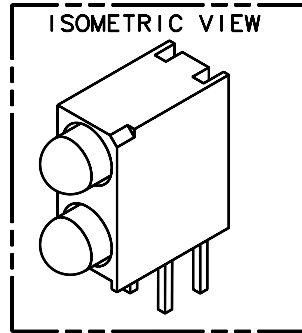
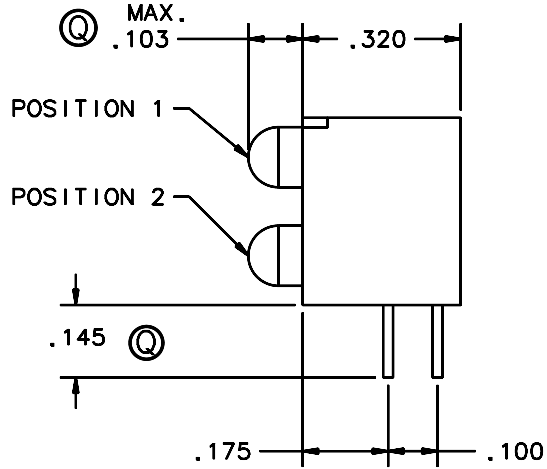
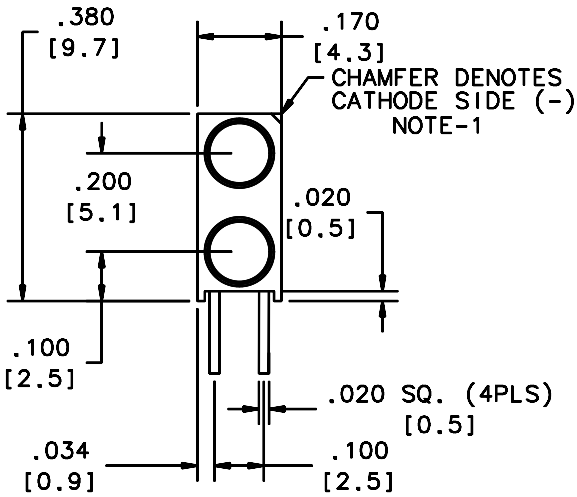


NOTES:

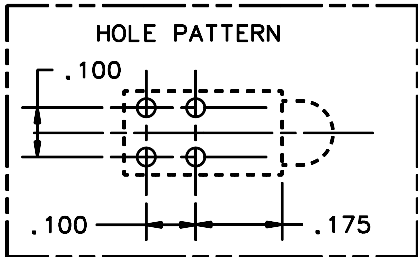
- 1-ON THE BI-COLOR MODELS THE CATHODE SIDE IS RED/YEL CATHODE.
- 2-MATL: BLACK RYNITE



REVISIONS			
REV	ECR NO	DESCRIPTION	DATE
		NEW RELEASE	2/8/02



MODEL NO.	POSITION 1 LED P/N	POSITION 2 LED P/N	OUTPUT COLOR
553-0111	4303F1	4303F1	RED RED
553-0122	4303F5	4303F5	GREEN GREEN
553-0133	4303F7	4303F7	YELLOW YELLOW
553-0711	4301F1/5-A	4301F1/5-A	RED/GRN RED/GRN
553-0744	4301F25/27	4301F25/27	YEL/GRN YEL/GRN



SDRC FILE NAME:553SERIES.MF1

DIM ARE IN INCHES		Ⓞ FOR INSPECTION USE ONLY		ⓧ SPC DOCUMENTATION REQ. (X R CHARTS)	
THIS DWG IS THE PROPERTY OF CHICAGO MINIATURE LAMP, INC AND IS PROPRIETARY IN GENERAL AND IN DETAIL. IT SHALL NOT BE COPIED OR ITS CONTENTS REVEALED TO OUTSIDE PARTIES WITHOUT THE WRITTEN CONSENT OF CHICAGO MINIATURE LAMP, INC		DRAWN BY	DATE	PART NO	
		JL	2/02	MODEL NO	SEE TABLE
		CHECKED BY	DATE	MOLD NO	
		ENG. APPRV.	DATE	MATERIAL	NOTE-2
UNLESS OTHERWISE SPECIFIED TOLERANCES ON:		FINISH			
.XX ±.015					
.XXX ±.010					
ANGLE +/- 1 DEG.					
		<b>CHICAGO MINIATURE LAMP, INC</b> 147 CENTRAL AVE. HACKENSACK, NJ 07601		TITLE <b>BI-LEVEL LED INDICATOR</b>	
DIST. S		DWG NO <b>B17222</b>		REV	
SCALE 4:1		SHEET			

# Mouser Electronics

Authorized Distributor

Click to View Pricing, Inventory, Delivery & Lifecycle Information:

VCC:

[553-0711](#) [553-0122](#) [553-0744](#) [553-0133](#) [553-0111](#)