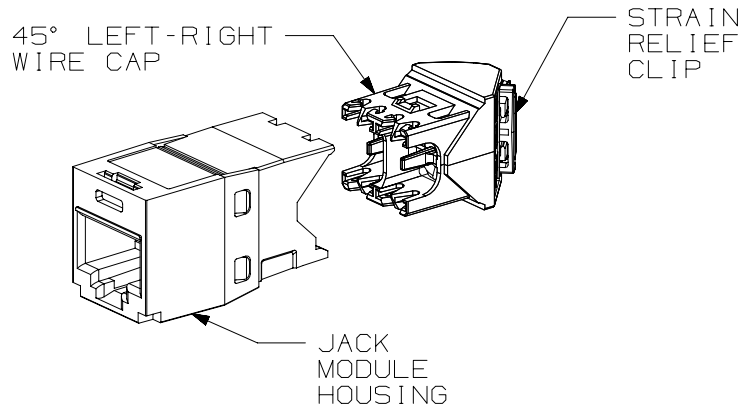
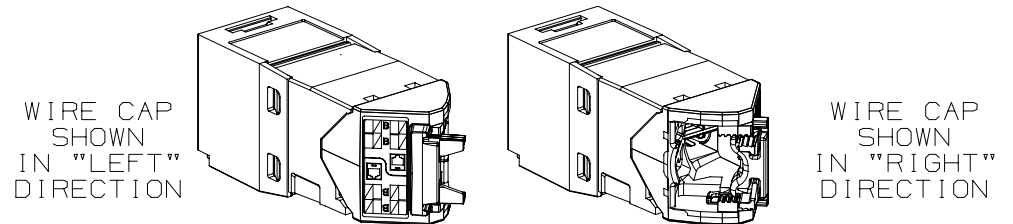
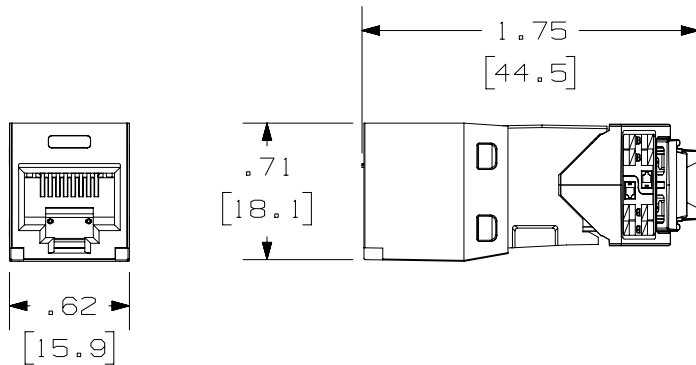


THIS COPY IS PROVIDED ON A RESTRICTED BASIS AND IS NOT TO BE USED IN ANY WAY DETRIMENTAL TO THE INTERESTS OF PANDUIT CORP.



NOTES:

1. VISIT OUR ON-LINE CATALOG AT WWW.PANDUIT.COM FOR A LIST OF CURRENT PARTS APPLICABLE FOR USE WITH THIS PRODUCT.
2. WHITE COLOR WIRE CAP ASSEMBLY DESIGNATES TIA CATEGORY 6 (ISO 11801 CLASS E) PERFORMANCE.
3. TO DESIGNATE A JACK MODULE COLOR, ADD A TWO LETTER COLOR NUMBER SUFFIX. SEE TABLE 1 AND CURRENT CATALOG FOR AVAILABLE PART NUMBER SUFFIXES TO INDICATE COLOR AND/OR PACKAGE QUANTITY.
4. ALL MINI-COM™ CATEGORY 6, 8 POSITION, 8 WIRE CONNECTOR MODULES ARE UNIVERSAL IN DESIGN. THEY ACCEPT SIX AND EIGHT POSITION MODULAR PLUGS WITHOUT DAMAGE.
5. TERMINATES 22-26AWG SOLID OR STRANDED UTP CABLE LEFT AND RIGHT HORIZONTALLY.
6. SEE INSTALLATION INSTRUCTION FOR PROPER TERMINATION METHOD.
7. WIRE CAP LABEL WHICH IS PART OF THE WIRE CAP ASSEMBLY IS CODED FOR T568B WIRING SCHEME.
8. PART INCLUDES:
 MODULE HOUSING: ABS W/ UL94V-0 FLAME RATING.
 WIRE CAP ASSEMBLY: POLYCARBONATE W/ UL94V-0 FLAME RATING.
9. WEIGHT: 1.53 LBS/ 100 PCS (695 g/ 100 PCS).
10. DIMENSIONS IN [] ARE METRIC.
11. ALL MATERIALS AND COMPONENTS USED MEET THE MATERIAL RESTRICTIONS OF RoHs (EUROPEAN DIRECTIVE 2011/65/EU ON THE RESTRICTION OF HAZARDOUS SUBSTANCES) AS PROPOSED BY THE RoHs TECHNICAL ADAPTATION COMMITTEE.



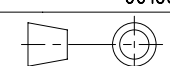
PART NUMBER		CJLR688TG**		
TITLE				
MINI-COM™ CATEGORY 6 JACK MODULE WITH LEFT/RIGHT WIRE CAP ASSEMBLY				
CUSTOMER DRAWING				
ITEM REVISION NAME		00153LAJ/00		
DATASET FILE NAME		00153LAJ_DC/02A		
		THIRD ANGLE PROJECTION		
MATERIAL		SEE NOTE 8		
DRAWING NUMBER		00153LAJ-02		
REV	DATE	BY	CHK	SCALE
R	4-4-18	BJN	DCS	FULL
DESCRIPTION		ECN	SHEET 1 OF 2	
RELEASED TO PRODUCTION		00153LAJ-02	A	

A-SIZE CUSTOMER

THIS COPY IS PROVIDED ON A RESTRICTED BASIS AND IS NOT TO BE USED IN ANY WAY DETRIMENTAL TO THE INTERESTS OF PANDUIT CORP.

TABLE 1: ASSEMBLY PART NUMBERS

ASSEMBLY PART NUMBER (INDIVIDUAL)	Assembly Part Number (BULK PACK OF 24)	Front Jack Module Color
CJLR688TGAW	CJLR688TGAW-24	Arctic White
CJLR688TGBL	CJLR688TGBL-24	Black
CJLR688TGBU	CJLR688TGBU-24	Blue
CJLR688TGEI	CJLR688TGEI-24	Electrical Ivory
CJLR688TGGR	CJLR688TGGR-24	Green
CJLR688TGIG	CJLR688TGIG-24	International Gray
CJLR688TGIW	CJLR688TGIW-24	International White
CJLR688TGOR	CJLR688TGOR-24	Orange
CJLR688TGRD	CJLR688TGRD-24	Red
CJLR688TGVL	CJLR688TGVL-24	Violet
CJLR688TGWH	CJLR688TGWH-24	White
CJLR688TGYL	CJLR688TGYL-24	Yellow

PART NUMBER		CJLR688TG**	
TITLE			
MINI-COM™ CATEGORY 6 JACK MDOULE		WITH LEFT/RIGHT WIRE CAP ASSEMBLY	
CUSTOMER DRAWING			
ITEM REVISION NAME		00153LAJ/00	
DATASET FILE NAME		00153LAJ_DC/02A	
		THIRD ANGLE PROJECTION	
MATERIAL		SEE NOTE 8	
DRAWING NUMBER		00153LAJ-02	
DRAWN BY	DATE	CHK	SCALE
BJN	4-4-18	DCS	FULL
SHEET 2 OF 2			SIZE
			A

REV	DATE	BY	CHK	APR	DESCRIPTION	ECN
R	4-4-18	BJN	DCS	TMBA	SEE SHEET 1 FOR REVISION HISTORY	00153LAJ-02

A-SIZE CUSTOMER