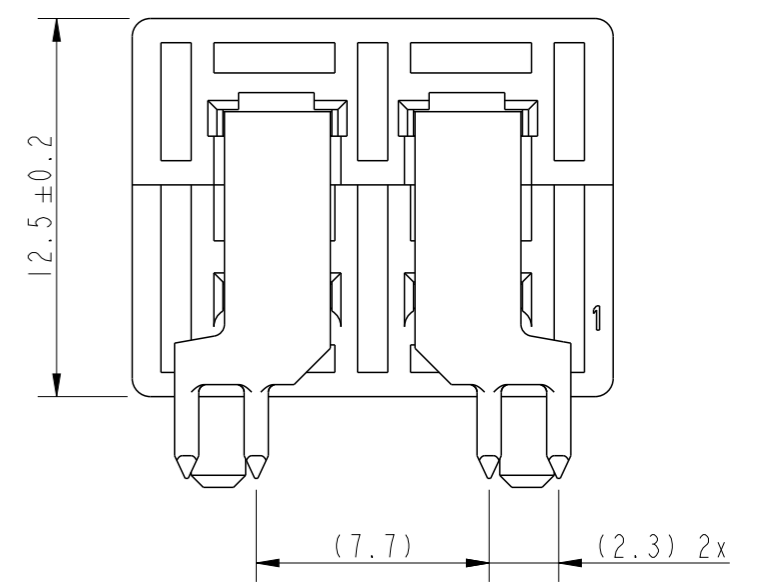
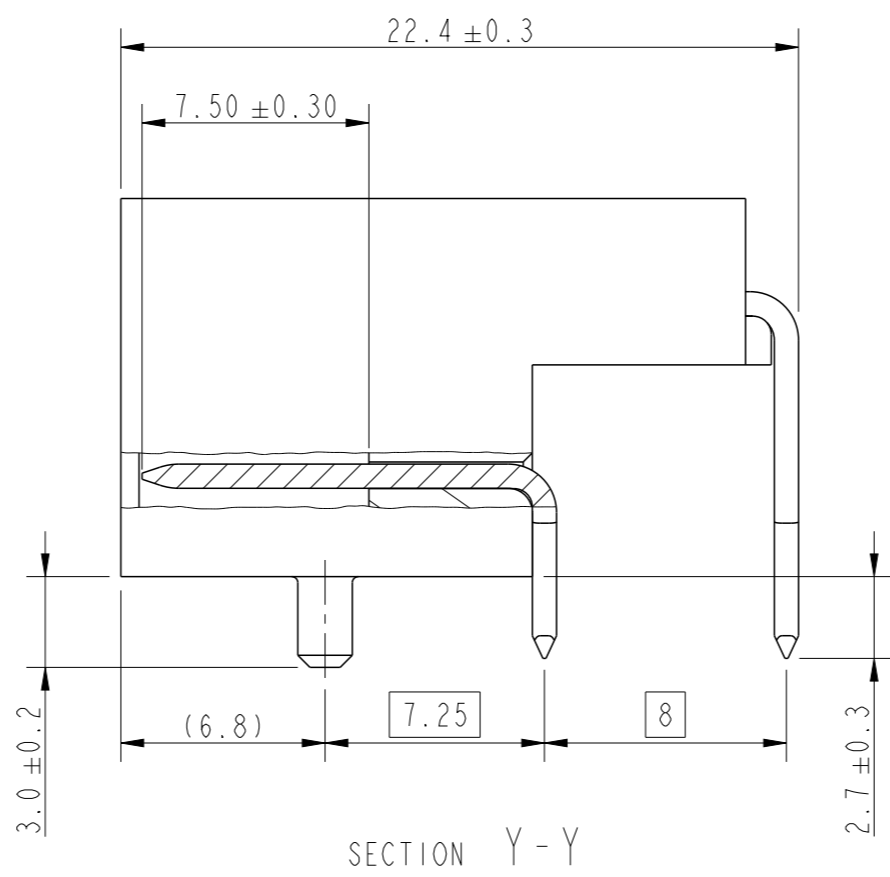
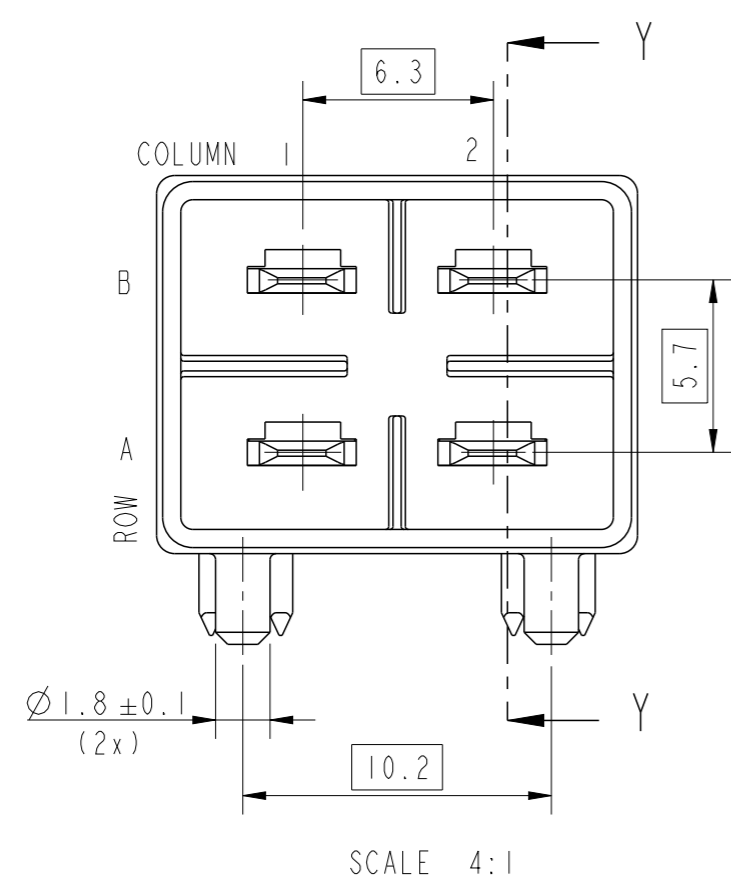


PRODUCT NUMBER
SEE TABLE ON THIS PAGE



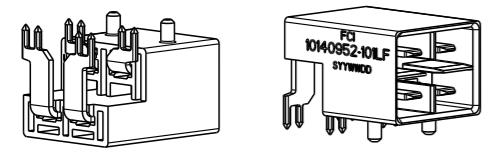
PART NO.	ROW	COLUMN	
		1	2
10140952-101LF	B	X	X
	A	X	X
10140952-102LF	B	X	-
	A	X	X

'X' INDICATES CONTACT LOADING POSITION



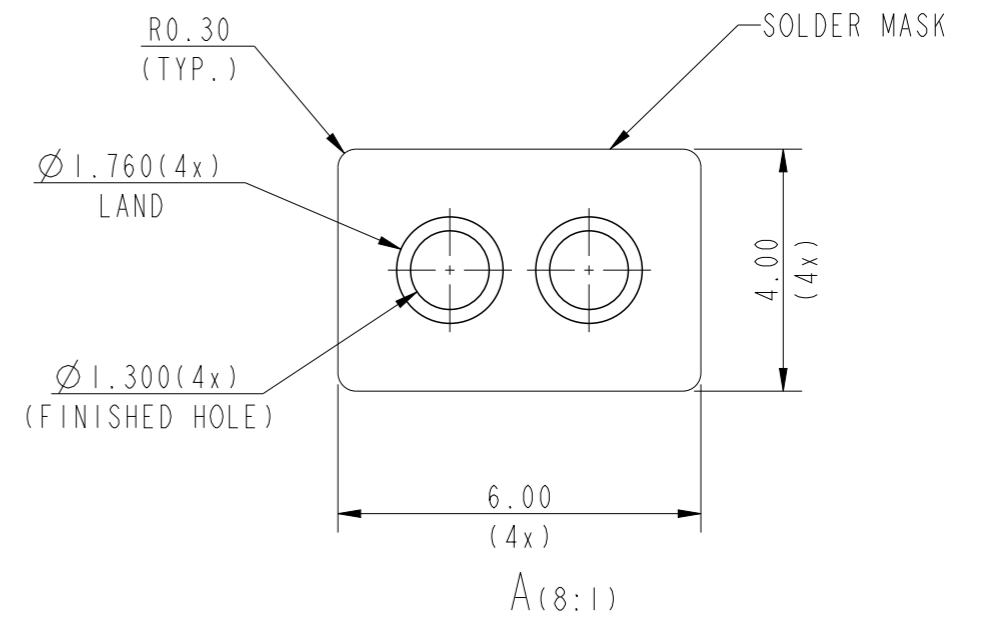
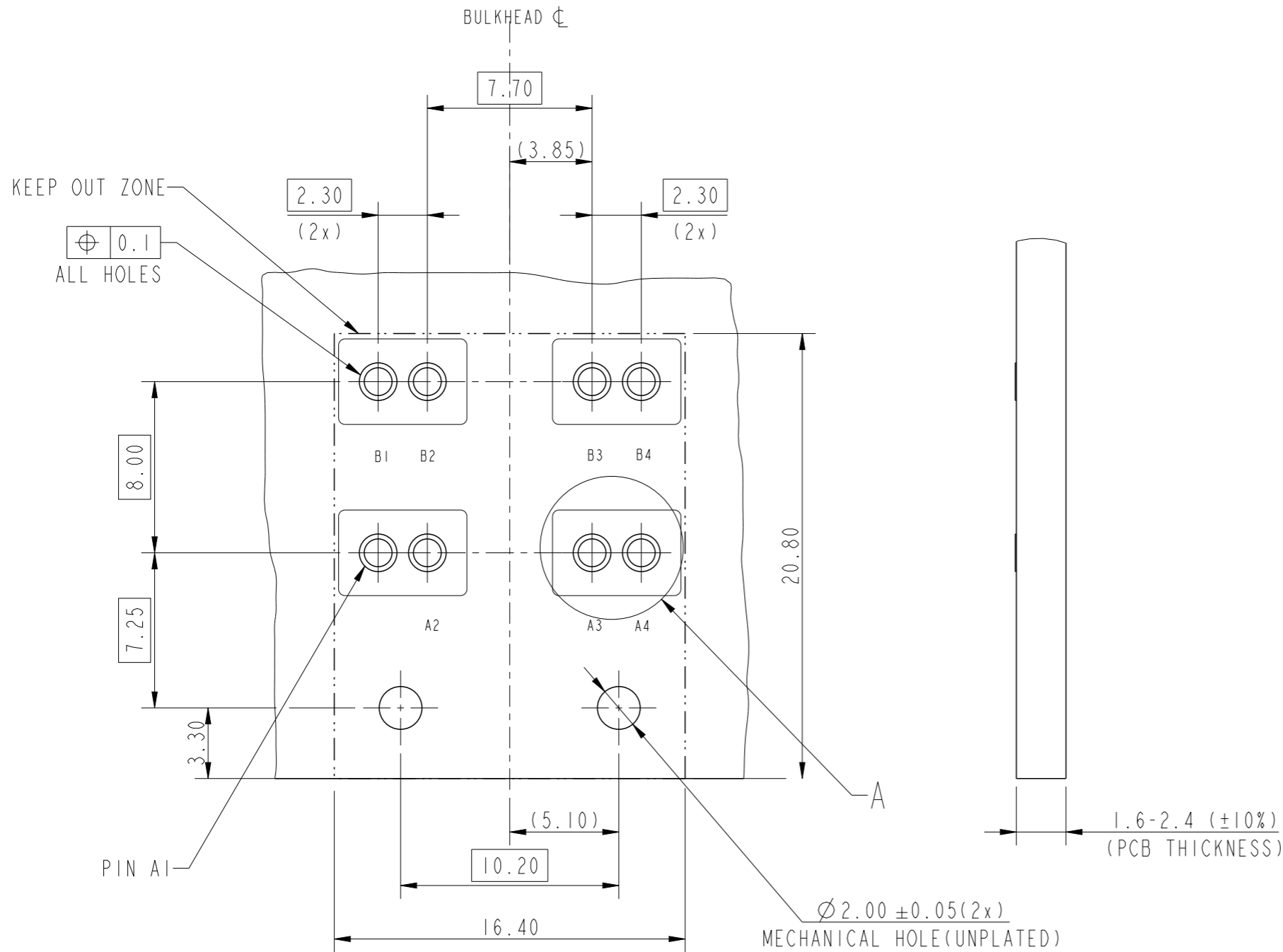
Amphenol
FCi

© 2016 AFCI



spec ref	-	dr	Jibin John	2017/09/26	projection	mm	size	A3	scale	2:1
tolerance std	ISO 406 ISO 1101	eng	Stalin Alosius	2017/10/16			ecn no	-	rel level	Released
TOLERANCES UNLESS OTHERWISE SPECIFIED		chr	-	-						
surface	linear	appr	K-Paul Biju	2017/10/16	product family	VERIO	rel level	Released	dwg no	10140952
ISO 1302	angular	0°	±2°	Amphenol FCi	title	VERIO POWER RA 2X2 BOARD CONNECTOR WITH PIP TERMINATION		rev	A	
		cat. no.	-	Product - Customer Drw		sheet 1 of 4				

VIEW FROM COMPONENT SIDE



NOTES:

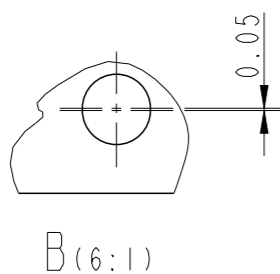
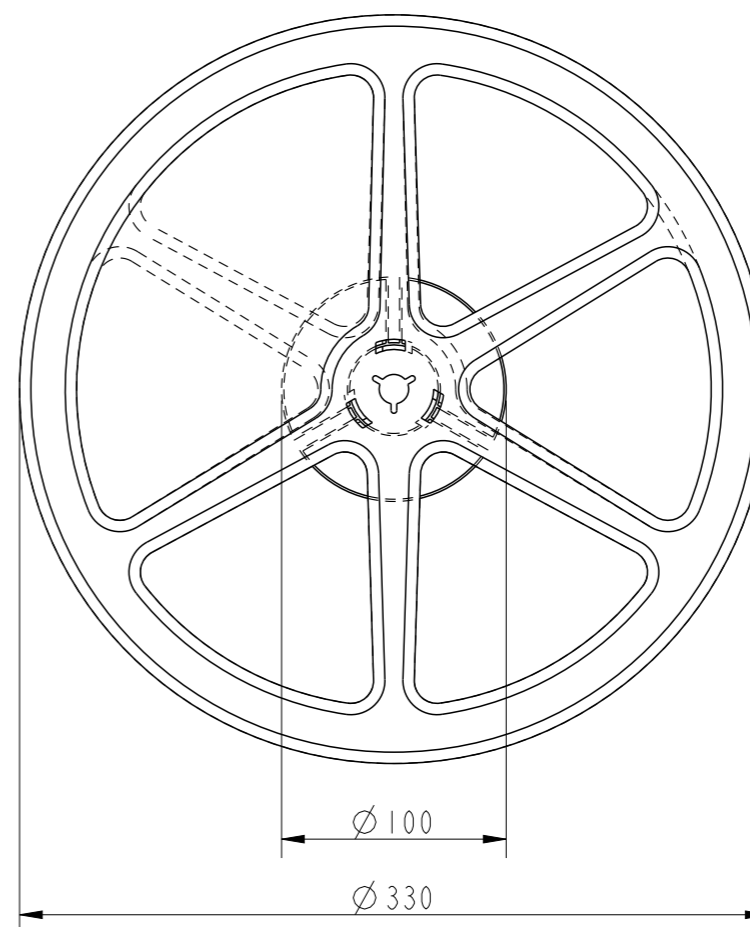
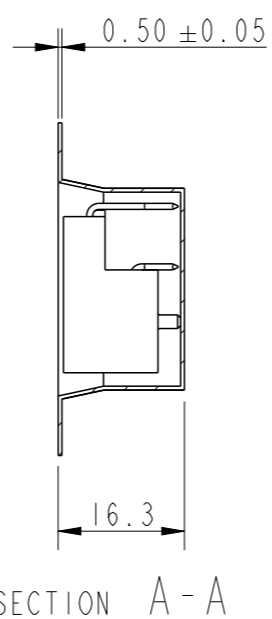
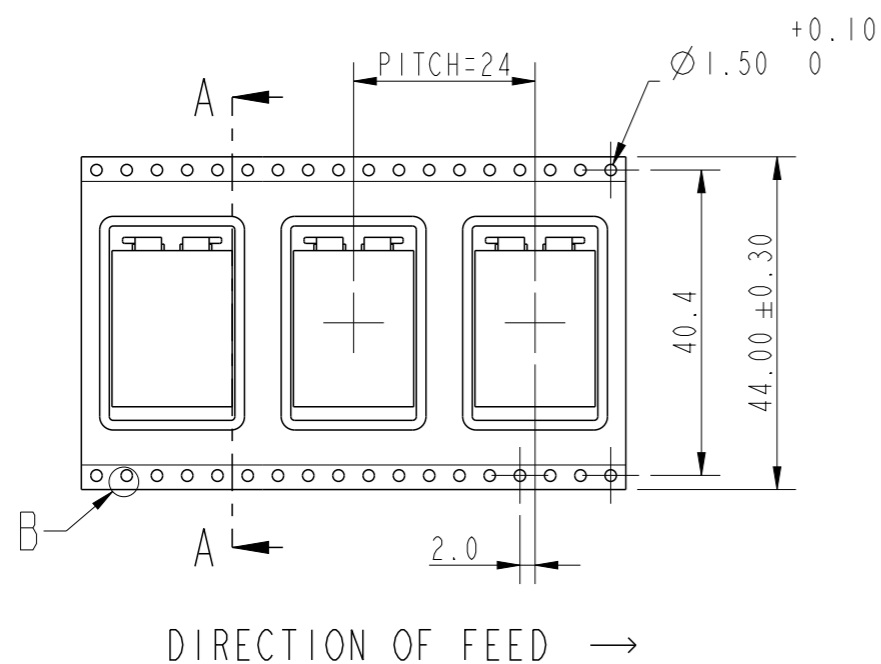
- MATERIAL :
- RESIN - LCP, GLASS FILLED, FLAME RETARDANT ACC
FLAMMABILITY CLASSIFICATION - UL94-V0
- POWER CONTACTS - COPPER ALLOY
- PLATING :
- PURE TIN ON POWER CONTACTS
- PRODUCT SPECIFICATION: GS-12-1428
- APPLICATION SPECIFICATION: GS-20-XXXX
- PACKAGING - TAPE & REEL
- UNDER PLATING FOR CONTACTS IS 1.27µm NICKEL.
- PRODUCT WILL WITHSTAND EXPOSURE TO 260° FOR 60 SECONDS IN A CONVECTION, INFRA RED OR VAPOUR PHASE REFLOW OVEN
- PRODUCT WHERE THE PARTNUMBER ENDS IN LF MEETS EUROPEAN DIRECTIVES AND OTHER COUNTRY REGULATIONS AS DESCRIBED IN GS-47-0004.

NOTE: ABOVE PCB IS FOR P/N 10140952-101LF
FOR 10140952-102LF, REMOVE THE HOLES B3, B4

POWER PTH DETAILS	
DRILLED HOLE	1.37-1.42mm
COPPER PLATING	25-50µm
TIN PLATING	0.8-1.2µm
FINISHED HOLE DIA	1.25-1.35mm

spec ref	-	dr	Jibin John	2017/09/26	projection	mm	size	A3	scale	2:1
tolerance std	ISO 406 ISO 1101	eng	Stalin Alosius	2017/10/16			ecn no	-	rel level	Released
TOLERANCES UNLESS OTHERWISE SPECIFIED		chr	-	-						
surface	linear	appr	K-Paul Biju	2017/10/16	product family	VERIO	dwg no	10140952	rev	A
	angular				VERIO POWER RA 2X2 BOARD CONNECTOR WITH PIP TERMINATION		cat. no.	-	Product - Customer Drw	sheet 2 of 4

PACKAGING SPECIFICATION

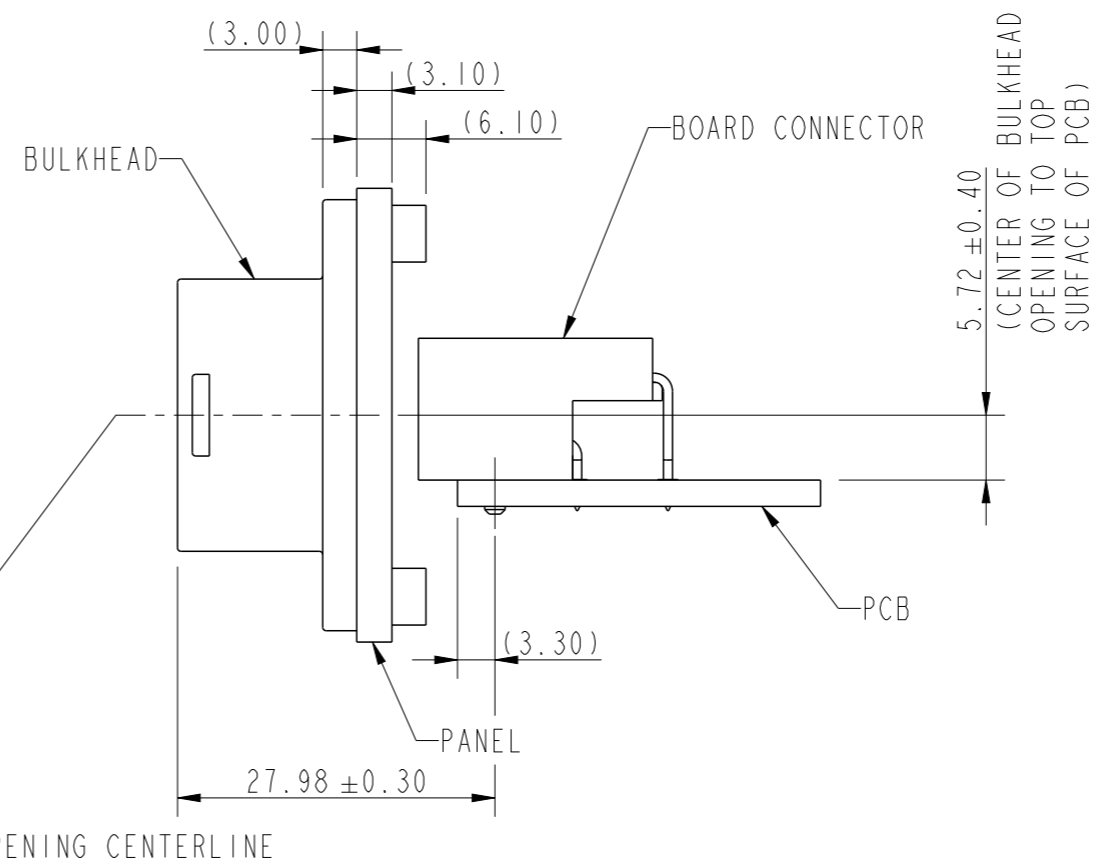
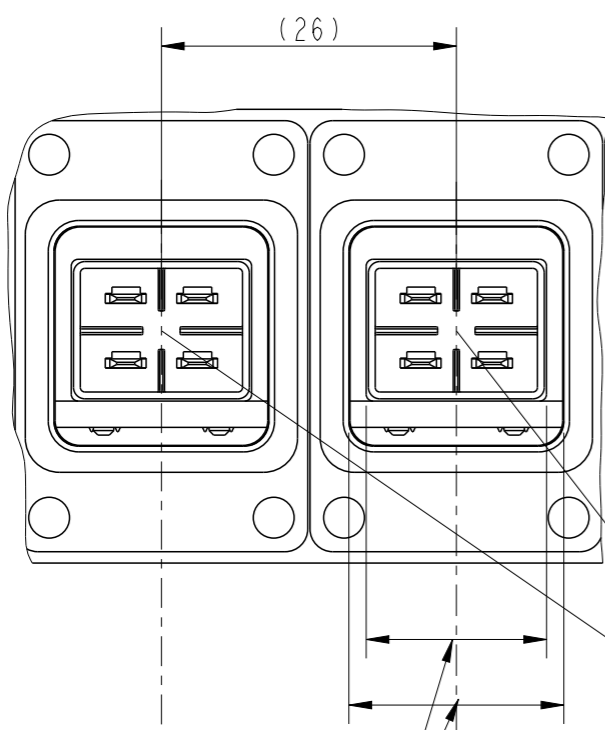
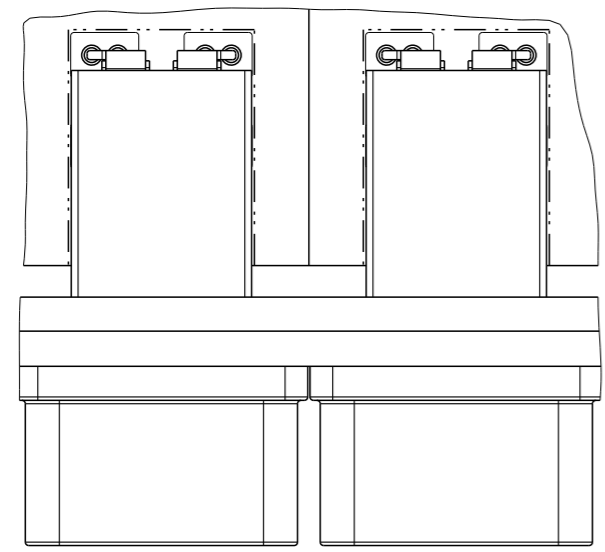


TAPE & REEL PACKING DETAILS

NOTES:

1. PACKAGING DETAILS AS PER EIA-481 STD.
2. MATERIAL : (ANTISTATIC)
CARRIER TAPE : POLYSTYRENE
COVER TAPE : POLYSTYRENE

spec ref	-	dr	Jibin John	2017/09/26	projection	mm	size	A3	scale	2:1
tolerance std	ISO 406 ISO 1101	eng	Stalin Alosius	2017/10/16			ecn no	-	rel level	Released
surface	linear	chr	-	apppr			K-Paul Bijju	2017/10/16	product family	VERIO
					Amphenol FCI	VERIO POWER RA 2X2 BOARD CONNECTOR WITH PIP TERMINATION	dwg no	10140952	rev	A
					cat. no.	-	Product - Customer Drw	sheet 3 of 4		



NOTE:
1. REFER DRAWING 10140956 FOR BULKHEAD DETAILS

BOARD CONNECTOR
WITH BULKHEAD

spec ref	-	dr	Jibin John	2017/09/26	projection	mm	size	A3	scale	1:2	
tolerance std	ISO 406 ISO 1101	eng	Stalin Alosius	2017/10/16			ecn no	-	rel level		Released
TOLERANCES UNLESS OTHERWISE SPECIFIED		chr	-	-			product family				
surface	linear	0.X	±0.3	Amphenol FCi	VERIO POWER RA 2X2 BOARD CONNECTOR WITH PIP TERMINATION		dwg no 10140952	rev A			
		0.XX	±0.13								
		0.XXX	±0.050								
	angular	0°	±2°	cat. no.	Product - Customer Drw		sheet 4 of 4				