

VS-08-M12MS-10G-P SCO - Data connector



1417430

<https://www.phoenixcontact.com/us/products/1417430>

Please be informed that the data shown in this PDF document is generated from our Online Catalog. Please find the complete data in the user documentation. Our General Terms of Use for Downloads are valid.



Data connector, Ethernet CAT6_A (10 Gbps), 8-position, shielded, Plug straight M12 SPEEDCON, X, Piercecon[®] fast connection, knurl material: Zinc die-cast, nickel-plated, external cable diameter 4 mm ... 8 mm

Your advantages

- Safe use in the field, thanks to a high degree of protection
- Save time, thanks to installation with SPEEDCON fast locking system
- Reliable signal transmission – 360° shielding in environments with electromagnetic interference

Commercial Data

Item number	1417430
Packing unit	1 pc
Minimum order quantity	1 pc
Sales Key	BF32
Product Key	BF2CHJ
Catalog Page	Page 342 (C-2-2019)
GTIN	4046356530699
Weight per Piece (including packing)	31.8 g
Weight per Piece (excluding packing)	29.7 g
Customs tariff number	85366990
Country of origin	DE

Technical Data

Notes

General	NOTE: Observe the permissible bending radii when laying conductors, since the degree of protection may be put in jeopardy if the bending forces are too high. Alleviate mechanical loads upstream of the connector, e.g. by using cable ties.
---------	--

Mounting

Connection method	Piercecon [®] fast connection
-------------------	--

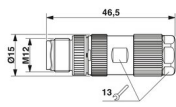
Product properties

Product type	Circular connector (cable-side)
Sensor type	Ethernet
Number of positions	8
Application	Data
No. of cable outlets	1
Shielded	yes
Coding	X
Cable outlet	straight

Insulation characteristics

Overvoltage category	II
Degree of pollution	3

Dimensions

Dimensional drawing	
Length	46.5 mm
Wrench size, union nut	13 mm

External dimensions

Outside diameter	4 mm ... 8 mm
------------------	---------------

Housing

Diameter housing	15 mm
------------------	-------

Material specifications

Flammability rating according to UL 94	V0
Seal material	NBR
Material of grip body	Zinc die-cast, nickel-plated
Contact material	CuSn

VS-08-M12MS-10G-P SCO - Data connector



1417430

<https://www.phoenixcontact.com/us/products/1417430>

Contact surface material	Ni/Au
Contact carrier material	PP
Material for screw connection	Zinc die-cast, nickel-plated

Connection data

Conductor connection

Connection method	Piercecon® fast connection
Connection cross section	0.14 mm ² ... 0.14 mm ² (flexible)
Connection cross section AWG	26 (flexible)
Tightening torque	0.4 Nm (M12 knurl)
	2 Nm (Screw plug insert with sleeve housing as far it will go)
	1 Nm (Pressure nut with coupling sleeve)

Electrical properties

Rated surge voltage	0.8 kV
Contact resistance	≤ 10 mΩ
Insulation resistance	≥ 100 MΩ
Nominal voltage U _N	48 V AC
	60 V DC
Nominal current I _N	0.5 A (30 W)

Mechanical properties

Mechanical data

Insertion/withdrawal cycles	≥ 100
-----------------------------	-------

Connector

Connection 1

Head design	Plug
Head cable outlet	straight
Head thread type	M12
Head locking type	SPEEDCON
Coding	X

Cable/line

Signal type/category	Ethernet CAT6 _A (IEC 11801), 10 Gbps
----------------------	---

Environmental and real-life conditions

Ambient conditions

Degree of protection	IP65
Ambient temperature (operation)	-40 °C ... 85 °C (Plug / socket)

Standards and regulations

VS-08-M12MS-10G-P SCO - Data connector



1417430

<https://www.phoenixcontact.com/us/products/1417430>

M12

Standard designation	M12 connector
Standards/specifications	IEC 61076-2-109

VS-08-M12MS-10G-P SCO - Data connector

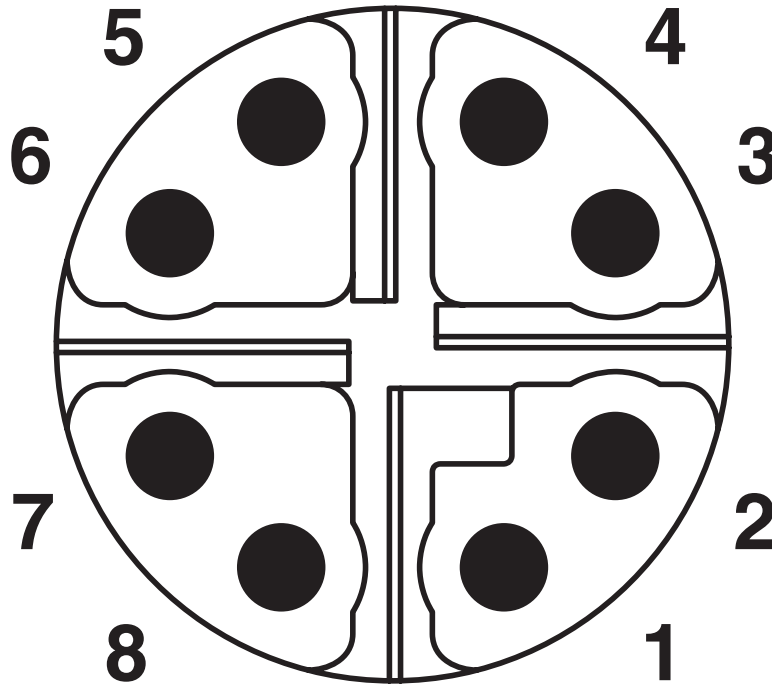


1417430

<https://www.phoenixcontact.com/us/products/1417430>

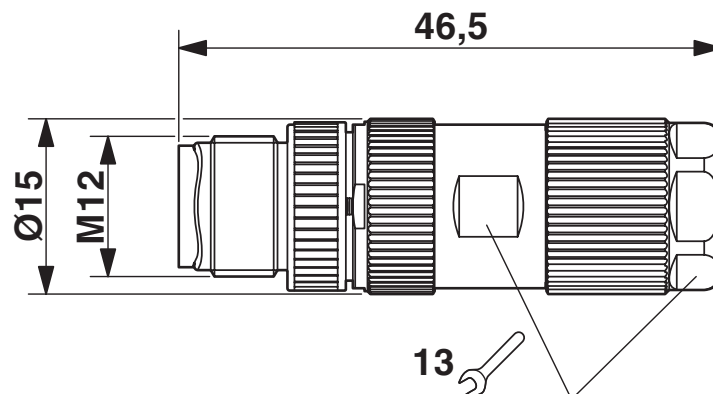
Drawings

Schematic diagram



Pin assignment M12 plug, 8-pos., view plug side

Dimensional drawing



Dimens. drawing: M12 connectors

VS-08-M12MS-10G-P SCO - Data connector





1417430

<https://www.phoenixcontact.com/us/products/1417430>

Approvals

To download certificates, visit the product detail page: <https://www.phoenixcontact.com/us/products/1417430>

 cUL Recognized Approval ID: E335024-20120308				
	Nominal Voltage U_N	Nominal Current I_N	Cross Section AWG	Cross Section mm^2
	60 V	0.5 A	-	-

 UL Recognized Approval ID: E335024-20120308				
	Nominal Voltage U_N	Nominal Current I_N	Cross Section AWG	Cross Section mm^2
	60 V	0.5 A	-	-

cULus Recognized

VS-08-M12MS-10G-P SCO - Data connector



1417430

<https://www.phoenixcontact.com/us/products/1417430>

Classifications

ECLASS

ECLASS-11.0	27440102
ECLASS-12.0	27440116
ECLASS-13.0	27440116

ETIM

ETIM 8.0	EC002635
----------	----------

UNSPSC

UNSPSC 21.0	39121400
-------------	----------

VS-08-M12MS-10G-P SCO - Data connector



1417430

<https://www.phoenixcontact.com/us/products/1417430>

Environmental Product Compliance

China RoHS	Environmentally friendly use period: unlimited = EFUP-e
	No hazardous substances above threshold values

VS-08-M12MS-10G-P SCO - Data connector



1417430

<https://www.phoenixcontact.com/us/products/1417430>

Accessories

PROT-M12 FS-PA-CHAIN - Sealing cap

1430873

<https://www.phoenixcontact.com/us/products/1430873>

M12 sealing cap made of plastic with fixing band, for sensor cables, for free M12 plugs



MICROFOX-SP-1 - Diagonal cutter

1212487

<https://www.phoenixcontact.com/us/products/1212487>

Electronic diagonal cutter, tapered head, without chamfer, with opening spring, non-reflective phosphate-treated surface, punched version



VS-08-M12MS-10G-P SCO - Data connector



1417430

<https://www.phoenixcontact.com/us/products/1417430>

TSD 04 SAC - Torque screwdriver

1208429

<https://www.phoenixcontact.com/us/products/1208429>



Torque screwdriver, with preset torque of 0.4 Nm and 4 mm hexagonal drive for M12 connectors

SAC BIT M12-D15 - Tool

1208432

<https://www.phoenixcontact.com/us/products/1208432>



Nut for assembling sensor/actuator cables with M12 connector and M12 connectors for assembly, with a knurl diameter of 15 mm, for 4 mm hexagonal drive

VS-08-M12MS-10G-P SCO - Data connector



1417430

<https://www.phoenixcontact.com/us/products/1417430>

TSD-M 1,2NM - Torque screwdriver

1212224

<https://www.phoenixcontact.com/us/products/1212224>



Torque screw driver, accuracy as per EN ISO 6789 standard, adjustable from 0.3 - 1.2 Nm

TSD-M SAC-BIT ADAPTER - Adapter insert

1212600

<https://www.phoenixcontact.com/us/products/1212600>



Adapter bit for TSD-M...torque tools, E6.3-1/4" drive with 4 mm hexagon to accommodate SAC bits

VS-08-M12MS-10G-P SCO - Data connector

1417430

<https://www.phoenixcontact.com/us/products/1417430>



VS-CABLE-STRIP-VARIO - Stripping tool

1657407

<https://www.phoenixcontact.com/us/products/1657407>

Stripping tool, for the multi-level stripping of shielded cables



Phoenix Contact 2023 © - all rights reserved

<https://www.phoenixcontact.com>

Phoenix Contact USA
586 Fulling Mill Road
Middletown, PA 17057, United States
(+717) 944-1300
info@phoenixcon.com