

# High Performance, Miniature Circular Connectors

## HR22 Series



### ■ Features

- Both waterproof and non-waterproof types are available. (Waterproof and non-waterproof connectors can be mated with each other if needed, but will no longer result in a waterproof connection)
- Waterproof performance  
The HR22 waterproof type is IP67 and IP68 rated when mated.  
IP67: Left at a water depth of 1 m for 30 minutes  
IP68: Left at a water depth of 2 m for 14 days
- Both crimp and solder type termination are available. Termination style can be chosen as required by your specific application.
- The receptacle features a jam nut configuration at the front, which allows for easy panel mounting.
- The jack connector can also be used as a panel jack.

### ■ Product specifications

Ratings	Rated current	2A	Operating temperature range	-25°C to +85°C
	Rated voltage	100V AC, 140V DC	Storage temperature range	-10°C to +60°C

Item	Specifications	Conditions
1. Contact resistance	20mΩ max.	Measured at DC 1A
2. Insulation resistance	1,000 MΩ min.	Measured at DC 100V
3. Withstanding voltage	No flashover or dielectric breakdown.	Measured at AC 300 V for one minute
4. Vibration resistance	There shall be no electrical No electrical discontinuity for 10 μs or greater.	10 to 500 Hz/cycle, amplitude: 0.75 mm, acceleration- 98 m/s <sup>2</sup> 3 axis directions, 2 hours each
5. Shock resistance	No electrical discontinuity for 10 μs or greater.	Acceleration: 490 m/s <sup>2</sup> , duration: 11 ms, 3 axis directions, 3 times each
6. Mating cycles	Contact resistance: 20 mΩ max.	100 times
7. Resistance to water pressure	No water penetration into the connector.	Mated connectors left in Water at a depth of 1.8 m for 48 hours.

### ■ Materials

Items	Material	Finish	Remarks
Plated shell	Brass	Nickel plating	_____
	Zinc alloy		
Insulator	PBT resin	Black	UL94V-0
Male contact	Brass (Soldering)	Silver plating	_____
	Phosphor bronze (Crimping)		
Female contact	Beryllium copper (Soldering)		
	Phosphor bronze (Crimping)		
Hood and bushing	Acrylonitrile-butadiene rubber	Black	

## ■ Ordering information

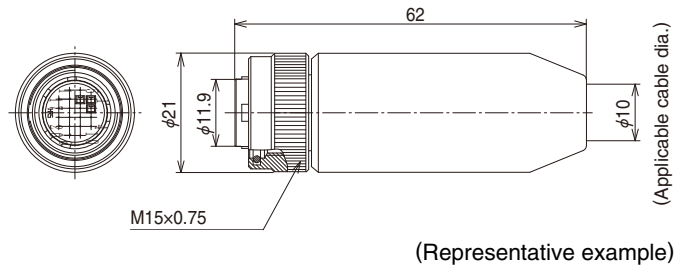
### HR22 - 12 W T P A - 20 SC (73)

①      ②      ③      ④      ⑤      ⑥      ⑦      ⑧      ⑨

①	Model name: HR22
②	Shell size: The shell size is the outer diameter of the mating end of the plug.
③	W: Waterproof Blank: Non-waterproof
④	Locking mechanism T: Threaded coupling type
⑤	Shell type      P: Plug J: Jack R: Receptacle
⑥	Shell variation: Variation of the same connector configuration is shown by A, B, C, D....
⑦	Number of contacts
⑧	Contact form P: Male pin      PC: Crimp type male pin S: Female pin    SC: Crimp type female pin
⑨	Other specifications: A two-digit character is added to indicate other specifications as needed.

## ■ Plug

### ● Waterproof type



### Crimp type

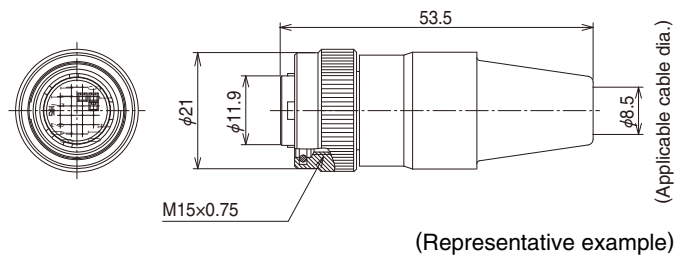
Part No.	HRS No.	RoHS
HR22-12WTPA-20SC(73)	122-0004-7 73	Yes
HR22-12WTPA-20PC(73)	122-0024-4 73	

### Solder type

Part No.	HRS No.	RoHS
HR22-12WTPA-20S(73)	122-0015-3 73	Yes
HR22-12WTPA-20P(73)	122-0027-2 73	

Cable clamping force, rotation force, waterproof performance, and other types of performance may differ depending on the cable type used. Please make sure to verify the suitability of the cable assembly before use or production.

### ● Non-waterproof type



### Crimp type

Part No.	HRS No.	RoHS
HR22-12TPD-20SC(73)	122-0010-0 73	Yes
HR22-12TPD-20PC(73)	122-0018-1 73	

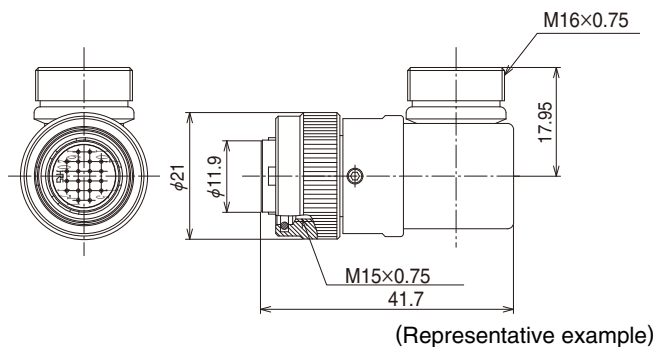
### Solder type

Part No.	HRS No.	RoHS
HR22-12TPD-20S(73)	122-0011-2 73	Yes
HR22-12TPD-20P(73)	122-0012-5 73	

Cable clamping force, rotation force, waterproof performance, and other types of performance may differ depending on the cable type used. Please make sure to verify the suitability of the cable assembly before use or production.

## ■ Right angle plug

### ● Waterproof type



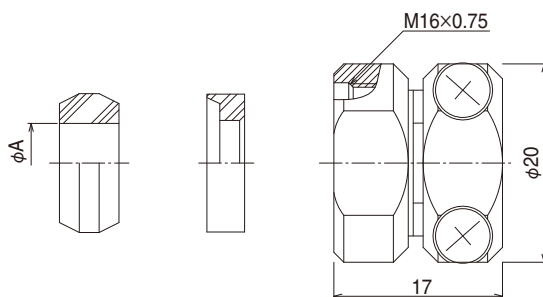
#### Crimp type

Part No.	HRS No.	RoHS
HR22-12WTLP-20PC	122-0064-9 00	Yes

#### Solder type

Part No.	HRS No.	RoHS
HR22-12WTLP-20P(73)	122-0054-5 73	Yes

## ■ Cord clamp for use on right-angled plugs



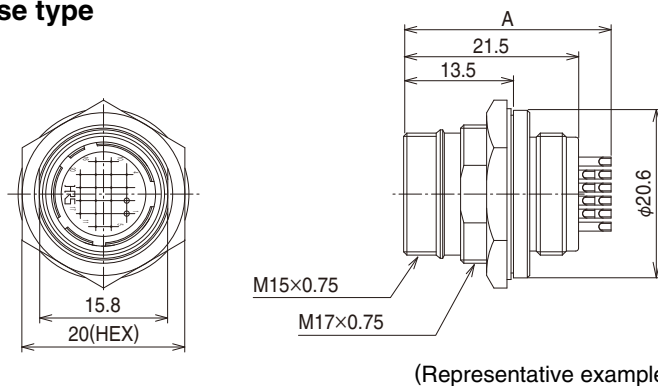
Part No.	HRS No.	A	RoHS
JR13WCC-4(72)	114-2045-0 72	4	Yes
JR13WCC-5(72)	114-2046-3 72	5	
JR13WCC-6(72)	114-2047-6 72	6	

Part No.	HRS No.	A	RoHS
JR13WCC-7(72)	114-2048-9 72	7	Yes
JR13WCC-8(72)	114-2049-1 72	8	
JR13WCC-9(72)	114-2050-0 72	9	
JR13WCC-10(72)	114-2051-3 72	10	

Cable clamping force, rotation force, waterproof performance, and other types of performance may differ depending on the cable type used. Please make sure to verify the suitability of the cable assembly before use or production.

## ■ Receptacle

### ● Waterproof / Non-waterproof combined use type



#### Crimp type

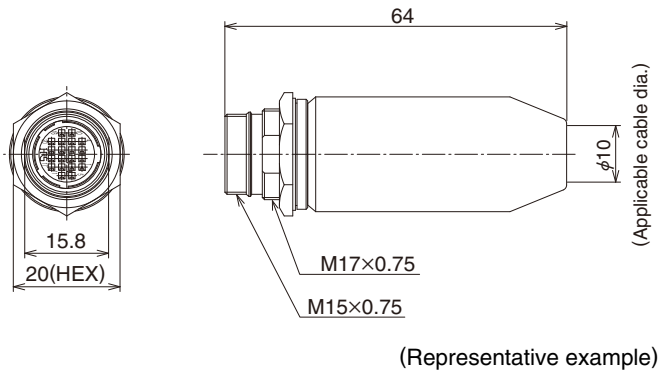
Part No.	HRS No.	RoHS
HR22-12WTRA-20SC(73)	122-0021-6 73	Yes
HR22-12WTRA-20PC(73)	122-0005-0 73	

#### Solder type

Part No.	HRS No.	A	RoHS
HR22-12WTRA-20S(73)	122-0014-0 73	24	Yes
HR22-12WTRA-20P(73)	122-0013-8 73	25.5	

## ■ Jack

### ● Waterproof type

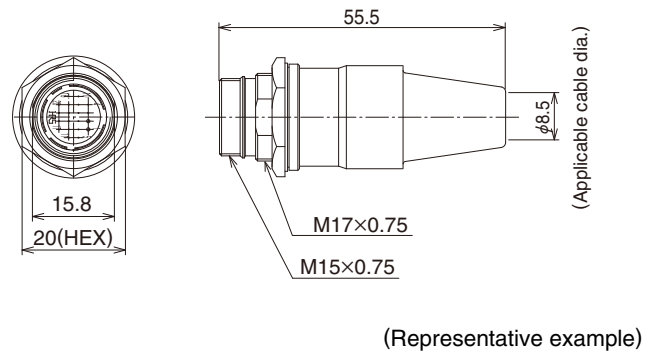


### Crimp type

Part No.	HRS No.	RoHS
HR22-12WTJA-20SC(73)	122-0025-7 73	Yes
HR22-12WTJA-20PC(73)	122-0006-2 73	

Cable clamping force, rotation force, waterproof performance, and other types of performance may differ depending on the cable type used. Please make sure to verify the suitability of the cable assembly before use or production.

### ● Non-waterproof type



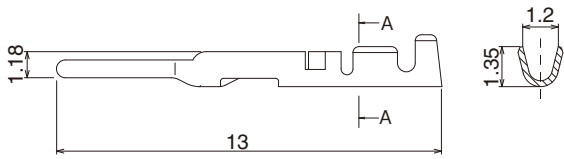
### Solder type

Part No.	HRS No.	RoHS
HR22-12TJD-20S(73)	122-0023-1 73	Yes
HR22-12TJD-20P(73)	122-0022-9 73	

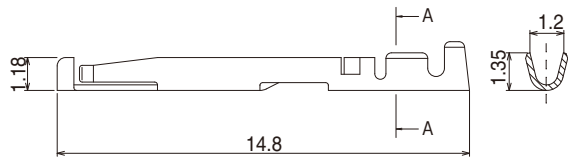
Cable clamping force, rotation force, waterproof performance, and other types of performance may differ depending on the cable type used. Please make sure to verify the suitability of the cable assembly before use or production.

◆ Contact

● Male contact



● Female contact



Male contact

Item	Part No.	HRS No.	Applicable cable	Packaging	RoHS
Loose contact	HR22-PC-122	122-0017-9 00	AWG#24 ~ 28	100 pcs/pack	Yes
Reel contact	HR22-PC-222	122-0009-0 00	AWG#24 ~ 28	10,000 pcs/reel	

Female contact

Item	Part No.	HRS No.	Applicable cable	Packaging	RoHS
Loose contact	HR22-SC-122	122-0016-6 00	AWG#24 ~ 28	100 pcs/pack	Yes
Reel contact	HR22-SC-222	122-0008-8 00	AWG#24 ~ 28	10,000 pcs/reel	

◆ Applicable tools

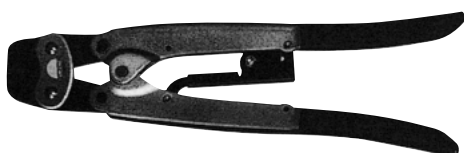
Item	Part No.	HRS No.	Applicable terminal	Applicable wire
Manual crimping tool	HR22-TA2428HC	150-0200-4 00	HR22-PC-122 HR22-SC-122	AWG#24 ~ 28 Coating outer diameter φ1.15MAX
Automatic crimping tool	Machine body	CM-105	————	————
	Applicator	AP105-HR22-2	HR22-PC-222 HR22-SC-222	AWG#24 ~ 28 Coating outer diameter φ1.15MAX
Cable crimping tool	HR10A-TC-04	150-0058-5 00	————	φ8.5
Extractor	RP6-SC-TP	150-0039-0 00	————	————
Cable termination tool	HR22-12P-T01	150-0075-4 00	————	Plug connector use



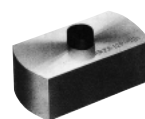
Manual crimping tool



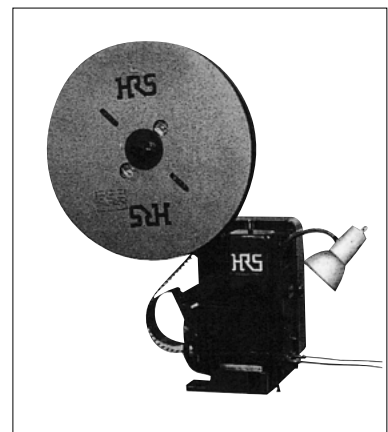
Extractor



Cable crimping tool

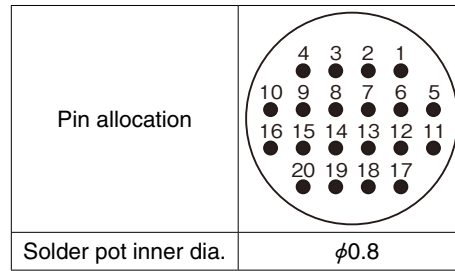
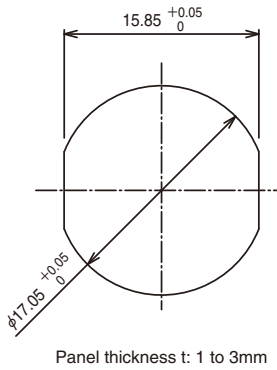


HR22-12P-T01



Automatic crimping machine  
CM-105

## ◆ Panel mounting dimensions



Notes: The above figure shows the pin allocation viewed from the engagement side.

## ◆ Precautions

1. Switch off the power of the circuit before disconnecting or plugging-in the connectors.
2. Use connectors with socket contacts at the power side of the circuit.
3. Make sure that the coupling is in completely cocked position.
4. The cable pull and twisting strength and other characteristics may differ, depending on the cable structure. Please confirm before the use.
5. This product uses silver plated contacts. Please be aware that silver easily reacts to sulfur gases, causing discoloration or degradation when exposed to certain environmental conditions as shown below. These conditions include areas with:
  - Dusty site
  - Area or location with a high density of sulfur dioxide gas, hydrogen sulfide gas, nitrogen dioxide gas, or other gas (Emission gases from vehicles and factories, etc.)
  - Highly fluctuating temperatures, such as close to a heating apparatus.

In addition, it is recommended to store the products in their original packaging or similar state in order to prevent discoloration.

- Temperature: -10 to +60°C, relative humidity: 80% or lower (An environment where temperature and relative humidity are constant and there is little temperature variation.)

Please use the products within six months after delivery. (If the storage period has expired, please examine the connectors and solder cups for corrosion and/or tarnish.)

**USA:**

**HIROSE ELECTRIC (U.S.A.), INC. HEADQUARTERS**  
 2688 Westhills Court, Simi Valley, CA 93065-6235  
 Phone : +1-805-522-7958  
 Fax : +1-805-522-3217  
<http://www.hirose.com/us/>

**USA:**

**HIROSE ELECTRIC (U.S.A.), INC. SAN JOSE OFFICE**  
 3255 Scott Boulevard, Building 7, Suite 101  
 Santa Clara, CA 95054  
 Phone : +1-408-253-9640  
 Fax : +1-408-253-9641  
<http://www.hirose.com/us/>

**USA:**

**HIROSE ELECTRIC (U.S.A.), INC. CHICAGO OFFICE**  
 580 Waters Edge Lane, Suite 205 Lombard IL  
 60148  
 Phone : +1-630-282-6706  
 Mail : [inquiries@hirose.com](mailto:inquiries@hirose.com)  
<http://www.hirose.com/us/>

**USA:**

**HIROSE ELECTRIC (U.S.A.), INC. DETROIT OFFICE (AUTOMOTIVE)**  
 37677 Professional Center Drive, Suite #100C  
 Livonia, MI 48154  
 Phone : +1-734-542-9963  
 Fax : +1-734-542-9964  
<http://www.hirose.com/us/>

**THE NETHERLANDS:**

**HIROSE ELECTRIC EUROPE B.V.**  
 Hogehillweg #8 1101 CC Amsterdam Z-0  
 Phone : +31-20-6557460  
 Fax : +31-20-6557469  
<http://www.hirose.com/eu/>

**GERMANY:**

**HIROSE ELECTRIC EUROPE B.V. GERMAN BRANCH**  
 Herzog-Carl-Strasse 4 D-73760 Ostfildern  
 (Scharnhäuser Park)  
 Phone : +49-711-4560-02-1  
 Fax : +49-711-4560-02-299  
<http://www.hirose.com/eu/>

**GERMANY:**

**HIROSE ELECTRIC EUROPE B.V. NUERNBERG OFFICE**  
 Muggenhofer Str. 136 90429 Nuernberg  
 Phone : +49-911 32 68 89 63  
 Fax : +49-911 32 68 89 69  
<http://www.hirose.com/eu/>

**UNITED KINGDOM:**

**HIROSE ELECTRIC EUROPE BV (UK BRANCH)**  
 4 Newton Court, Kelvin Drive, Knowlhill,  
 Milton Keynes, MK5 8NH  
 Phone : +44-1908 202050  
 Fax : +44-1908 202058  
<http://www.hirose.com/eu/>

**CHINA:**

**HIROSE ELECTRIC (SHANGHAI) CO., LTD.**  
 1601, Henderson Metropolitan, NO.300, East Nanjing  
 Road, Huangpu District, Shanghai, China 200001  
 Phone : +86-21-6391-3355  
 Fax : +86-21-6391-3335  
<http://www.hirose.com/cn/>

**CHINA:**

**HIROSE ELECTRIC (SHANGHAI) CO.,LTD. BEIJING BRANCH**  
 A1001, Ocean International Center, Building 56# East 4th  
 Ring Middle Road, ChaoYang District, Beijing, 100025  
 Phone : +86-10-5165-9332  
 Fax : +86-10-5908-1381  
<http://www.hirose.com/cn/>

**CHINA:**

**HIROSE ELECTRIC TECHNOLOGIES (SHENZHEN) CO., LTD.**  
 Room 09-13, 19/F, Office Tower Shun Hing Square, Di Wang Commercial Centre,  
 5002 Shen Nan Dong Road, Shenzhen City, Guangdong Province, 518008  
 Phone : +86-755-8207-0851  
 Fax : +86-755-8207-0873  
<http://www.hirose.com/cn/>

**HONG KONG:**

**HIROSE ELECTRIC HONGKONG TRADING CO., LTD.**  
 Room 1001, West Wing, Tsim Sha Tsui Centre, 66  
 Mody Road, Tsim Sha Tsui East, Kowloon, Hong Kong  
 Phone : +852-2803-5338  
 Fax : +852-2591-6560  
<http://www.hirose.com/hk/>

**TAIWAN:**

**HIROSE ELECTRIC TAIWAN CO., LTD.**  
 103 8F, No.87, Zhengzhou Rd., Taipei  
 Phone : +886-2-2555-7377  
 Fax : +886-2-2555-7350  
<http://www.hirose.com/cn/>

**KOREA:**

**HIROSE KOREA CO., LTD.**  
 1261-10, Jeoungwhang-Dong, Shihung-City,  
 Kyunggi-Do 429-450  
 Phone : +82-31-496-7000,7124  
 Fax : +82-31-496-7100  
<http://www.hirose.co.kr/>

**SINGAPORE:**

**HIROSE ELECTRIC SINGAPORE PTE. LTD.**  
 10 Anson Road #26-1, International Plaza  
 079903, Singapore  
 Phone : +65-6324-6113  
 Fax : +65-6324-6123  
<http://www.hirose.com/sg/>

**INDIA:**

**HIROSE ELECTRIC SINGAPORE PTE. LTD. DELHI LIAISON OFFICE**  
 Office NO.519, Regus-Green Boulevard, Level5, Tower C,  
 Sec62, Plot B-9A, Block B, Noida, 201301, Uttar Pradesh, India  
 Phone : +91-12-660-8018  
 Fax : +91-120-4804949  
<http://www.hirose.com/sg/>

**INDIA:**

**HIROSE ELECTRIC SINGAPORE PTE. LTD. BANGALORE LIAISON OFFICE**  
 Unit No.03, Ground Floor, Explorer Building International Tech  
 Park Whitefield Road, Bangalore 560066 Karnataka, India  
 Phone : +91-80-4120 1907  
 Fax : +91-80-4120 9908  
<http://www.hirose.com/sg/>

**MALAYSIA:**

**HIROSE ELECTRIC SINGAPORE PTE. LTD. (REPRESENTATIVE OFFICE)**  
 1-10-07, Suntech @ Penang Cybercity (1164),Lintang  
 Mayang Pasir 3,11950, Bayan Baru, Penang, Malaysia.  
 Phone : +604-619-2564  
 Fax : +604-619-2574  
<http://www.hirose.com/sg/>



**HIROSE ELECTRIC CO.,LTD.**

2-6-3,Nakagawa Chuoh,Tsuzuki-Ku,Yokohama-Shi 224-8540,JAPAN  
 TEL: +81-45-620-3526 Fax: +81-45-591-3726  
<http://www.hirose.com>  
<http://www.hirose-connectors.com>