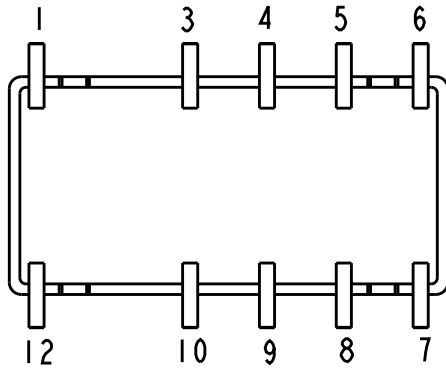
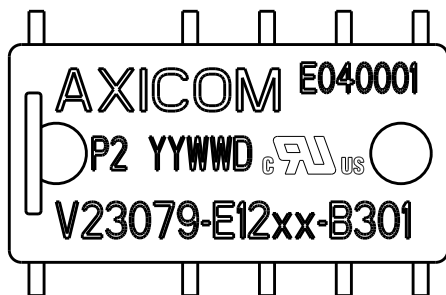
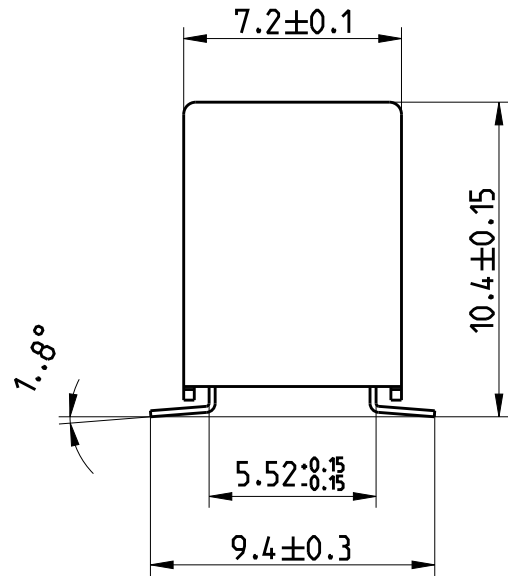
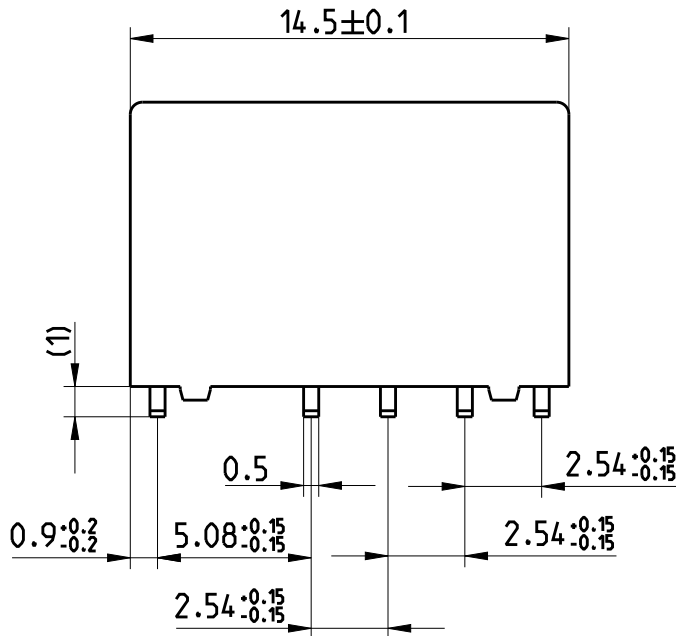


LOC	DIST	REVISIONS					
HJ	-	P	LTR	DESCRIPTION	DATE	DWN	APVD
		C3	ECR-16-015097		25-Oct-16	JK	PH



Relay - bottom view



xx = Relay type
YYWWD = Date code

DRAWING ALIAS C23303-A079-A004

2006

RELEASED FOR PUBLICATION

ALL RIGHTS RESERVED.

THIS DRAWING IS UNPUBLISHED.

© COPYRIGHT 2006

DIMENSIONS: mm	DWN Jan Kadlec	25-Oct-16	MATERIAL	-	FINISH	-
	CHK Robert Kaspar	25-Oct-16	TE Connectivity			
TOLERANCES UNLESS OTHERWISE SPECIFIED: DIN 7168-m	APVD Petr Hofman	25-Oct-16				
0 PLC ±-	PRODUCT SPEC	-	NAME P2-Relay SMT W Dimensions			
1 PLC ±	APPLICATION SPEC	-				
2 PLC ±	WEIGHT	-	SIZE	CAGE CODE	DRAWING NO	RESTRICTED TO
3 PLC ±			A4	00779	C-1393788-7	-
4 PLC ±			CUSTOMER DRAWING			
ANGLES ±-			SCALE	4:1	SHEET	1 OF 1
					REV	C3

Mouser Electronics

Authorized Distributor

Click to View Pricing, Inventory, Delivery & Lifecycle Information:

[TE Connectivity:](#)

[6-1393788-8](#)