

12mm Molded Case Series

Application

- ✓ Audio

Feature

- ✓ Low-profile



■ Specification

Total Rotational Angle	230±5°
Maximum Operating Voltage	Linear taper (B): 150V, other tapers: 100V
Insulation Resistance	50MΩ at DC500V
Dielectric Strength	AC500V for 1 minute
Rotational Torque	20-200 gf.cm
Switch Working Angle	30±10°
Switch Working Torque	50-300 gf.cm
Switch Rating	12V DC 0.5A
Switch Circuit	S.P.S.T
Rotation Life	15,000 cycles

■ How to order

RV121F-30 – 012J - B10K – 00K

[Model](#)

[Shaft Type](#)

Taper and Resistance Value

Ex:

Order Code	Taper	Resistance Value
A100K	Audio/Log/A	100KΩ
B1M	Linear/B	1MΩ
C500K	Rev-log/C	500KΩ

Taper: A, B and C

Resistance Value: 1KΩ to 500KΩ and 1MΩ

*Contact us for other requirements.


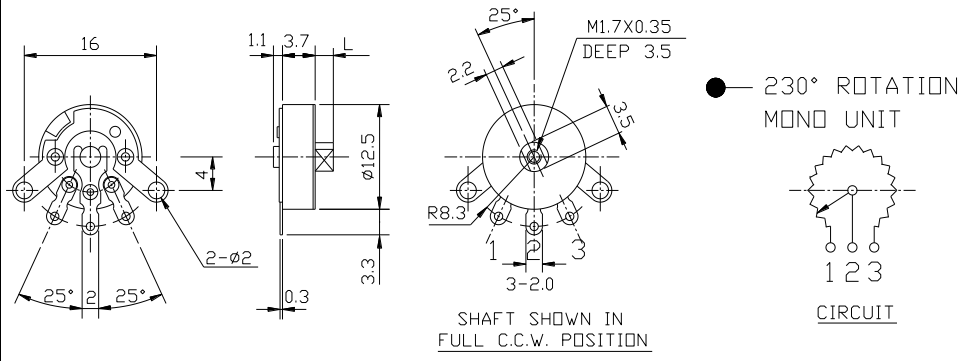

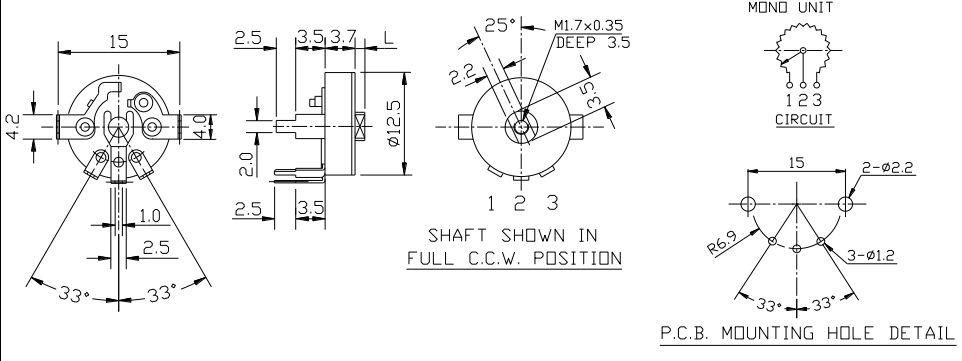
Knob and Screw

Order Code	Description
Blank	Without
00K	With

12mm Molded Case Series

Model Description

Model	Number of Unit	Terminal Type	Switch	Rotational Angle
RV121F-10	Single unit	Solder lug	Without switch	230°±5°
RV121F-30	Single unit	PCB board (vertical); front	Without switch	230°±5°
RV121SF-10	Single unit	Solder lug	With switch	230°±5°
RV121SF-20	Single unit	PCB board (horizontal)	With switch	230°±5°
RV121SF-30	Single unit	PCB board (vertical); front	With switch	230°±5°
RV121SF-40	Single unit	PCB board (vertical); back	With switch	230°±5°


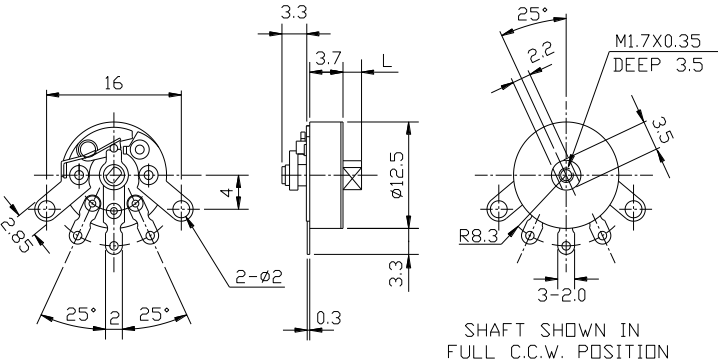

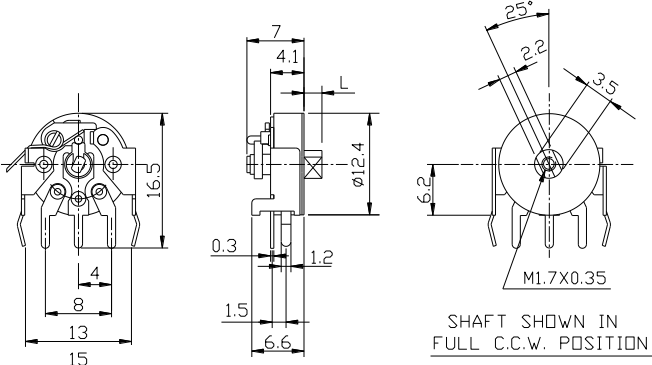

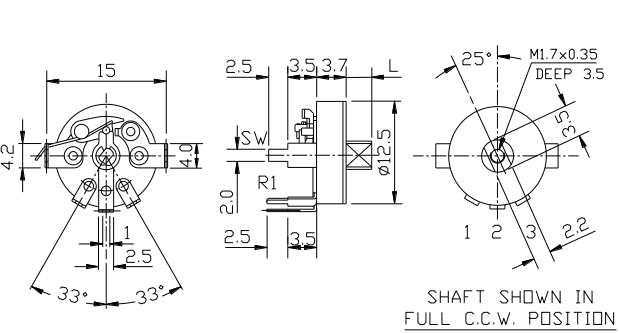

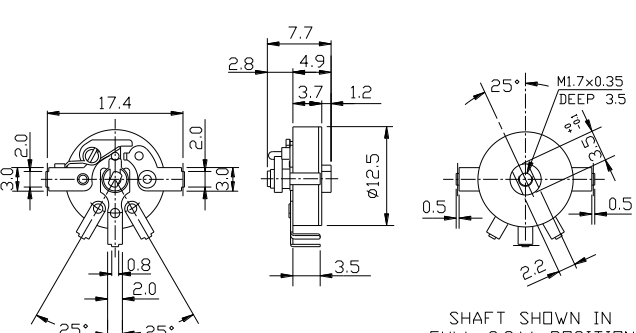
Order Code	Outline Drawing
RV121F-10 	 <p>SHAFT SHOWN IN FULL C.C.W. POSITION</p> <p>● 230° ROTATION MONO UNIT</p> <p>CIRCUIT</p>
RV121F-30 	 <p>SHAFT SHOWN IN FULL C.C.W. POSITION</p> <p>● 230° ROTATION MONO UNIT</p> <p>CIRCUIT</p> <p>P.C.B. MOUNTING HOLE DETAIL</p>

[Back to top](#)

POTENTIOMETERS



12mm Molded Case Series

Order Code	Outline Drawing
<p>RV121SF-10</p> 	 <p>SHAFT SHOWN IN FULL C.C.W. POSITION</p> <p>230° ROTATION. MONO UNIT WITH ROTARY SW S.P.S.T.12V DC 0.5A</p> <p>CIRCUIT</p>
<p>RV121SF-20</p> 	 <p>SHAFT SHOWN IN FULL C.C.W. POSITION</p> <p>230° ROTATION. MONO UNIT WITH ROTARY SW S.P.S.T.12V DC 0.5A</p> <p>CIRCUIT</p> <p>P.C.B. MOUNTING HOLE DETAIL</p>
<p>RV121SF-30</p> 	 <p>SHAFT SHOWN IN FULL C.C.W. POSITION</p> <p>230° ROTATION. MONO UNIT WITH ROTARY SW S.P.S.T.12V DC 0.5A</p> <p>CIRCUIT</p> <p>P.C.B. MOUNTING HOLE DETAIL</p>
<p>RV121SF-40</p> 	 <p>SHAFT SHOWN IN FULL C.C.W. POSITION</p> <p>230° ROTATION. MONO UNIT WITH ROTARY SW S.P.S.T.12V DC 0.5A</p> <p>CIRCUIT</p> <p>P.C.B. MOUNTING HOLE DETAIL (VIEWED FROM MOUNTING SIDE)</p>

[Back to top](#)

12mm Molded Case Series

■ J Type Shaft

	<table border="1"><thead><tr><th>Order Code</th><th>Shaft Length (L)</th></tr></thead><tbody><tr><td>009J</td><td>0.9 mm</td></tr><tr><td>012J</td><td>1.2 mm</td></tr><tr><td>02J</td><td>2.0 mm</td></tr><tr><td>022J</td><td>2.2 mm</td></tr></tbody></table>	Order Code	Shaft Length (L)	009J	0.9 mm	012J	1.2 mm	02J	2.0 mm	022J	2.2 mm
Order Code	Shaft Length (L)										
009J	0.9 mm										
012J	1.2 mm										
02J	2.0 mm										
022J	2.2 mm										

Design and specifications presented here are for the standard parts only. Please kindly contact us for your special requests and ask for the current technical specifications before purchase and/or use.

[Back to top](#)

Mouser Electronics

Authorized Distributor

Click to View Pricing, Inventory, Delivery & Lifecycle Information:

Alpha (Taiwan):

[RV121F-30-009J-A10K-00K](#) [RV121F-30-009J-B10K-00K](#) [RV121F-30-009J-A54-00K](#) [RV121SF-30-009J-A13-00K](#)
[RV121SF-30-009J-A53-00K](#) [RV121SF-30-009J-A10K-00K](#) [RV121SF-30-009J-A54-00K](#) [RV121F-10-009J-B14-00K](#)
[RV121F-30-009J-B5K-00K](#) [RV121F-10-009J-B100K-00K](#) [RV121F-10-009J-A14-00K](#) [RV121F-10-009J-A500K-00K](#)
[RV121SF-30-009J-A55-00K](#) [RV121F-30-009J-A55-00K](#) [RV121F-30-009J-B13-00K](#) [RV121F-10-009J-A13-00K](#)
[RV121F-30-009J-A15-00K](#) [RV121F-30-009J-B15-00K](#) [RV121F-10-009J-A15-00K](#) [RV121F-30-009J-A53-00K](#)
[RV121SF-30-009J-B5K-00K](#) [RV121F-10-009J-A250K-00K](#) [RV121F-30-009J-B500K-00K](#) [RV121SF-30-009J-B500K-](#)
[00K](#) [RV121SF-30-009J-A50K-00K](#) [RV121SF-30-009J-A1K-00K](#) [RV121F-30-009J-A50K-00K](#) [RV121SF-30-009J-B1M-](#)
[00K](#) [RV121F-30-009J-A5K-00K](#) [RV121F-10-009J-B10K-00K](#) [RV121F-30-009J-B1K-00K](#) [RV121F-30-009J-B100K-00K](#)
[RV121F-30-009J-B5K](#)