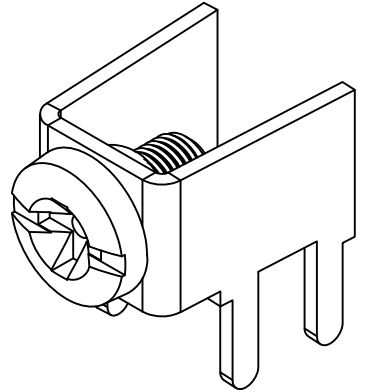
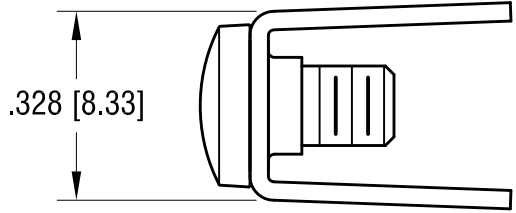
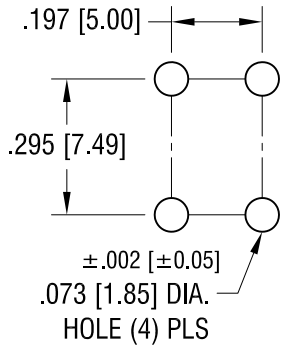
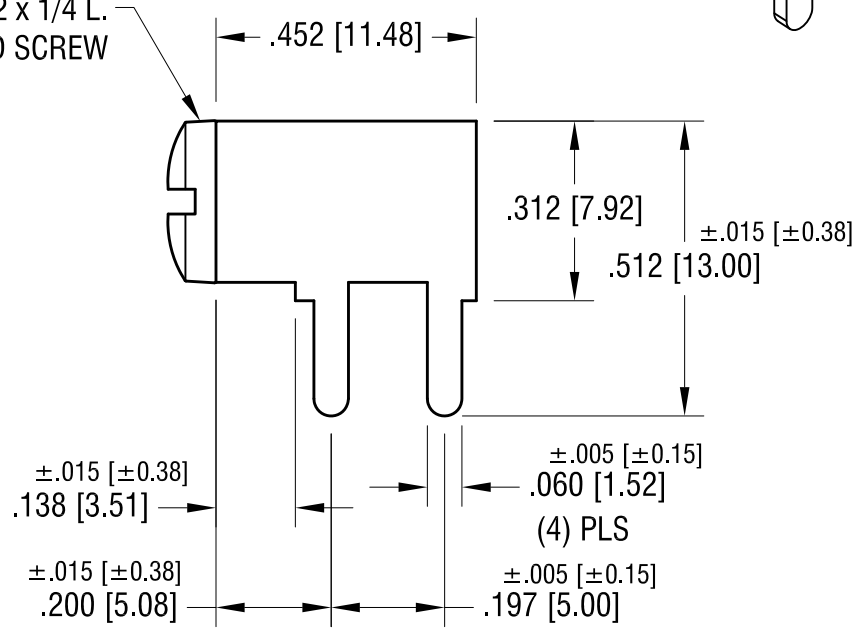
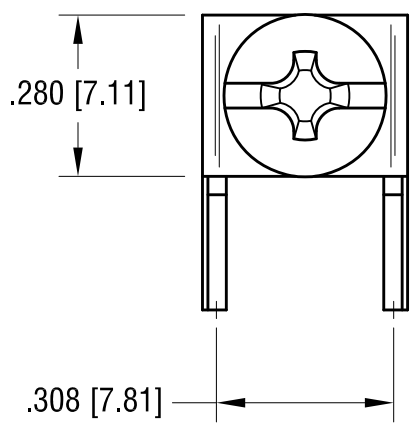


THIS DOCUMENT IS THE PROPERTY OF KEYSTONE ELECTRONICS CORP. AND SHALL NOT BE REPRODUCED, DISTRIBUTED OR USED AS A BASIS FOR MANUFACTURE WITHOUT PRIOR WRITTEN PERMISSION FROM KEYSTONE ELECTRONICS CORP.

MOUNTING DETAIL



6-32 x 1/4 L. CAPRIVATED SCREW



PC SCREW TERMINAL WITH COLORED SCREW HEAD

| PART NO. | HEAD COLOR | PART NO. | HEAD COLOR |
|----------|------------|----------|------------|
| 7700-2 | RED | 7700-5 | BLUE |
| 7700-3 | BLACK | 7700-6 | GREEN |
| 7700-4 | WHITE | 7700-7 | YELLOW |

NOTES:

- 1. TERMINAL:
 MAT'L - .032 [0.81] TH'K BRASS, MATTE TIN PLATE
- SCREW:
 MAT'L - BRASS, NICKEL PLATE

| DATE | DESCRIPTION | REV. |
|---------|--------------------------|------|
| 7.08.09 | CHANGE AS PER ECN 09-096 | B |
| 1.7.08 | CHANGE AS PER ECN 08-033 | A |

KEYSTONE ELECTRONICS CORP.
 www.keyelco.com • ASTORIA, N.Y. 11105-2017 • Tel (718) 956-8900

PART NAME
 PC SCREW TERM. W/ COLORED SCREW HEAD

MATERIAL
 AS NOTED

| | | |
|--------------------|-----------------|-----------------|
| FINISH AS NOTED | DRN BY BOONE | DATE 10.1.03 |
| | APP'D LN | SCALE 3X |

TOLERANCES INCH [MM]
 DECIMAL ±.010 [±0.25]
 ANGULAR ± 1°
 UNLESS OTHERWISE SPECIFIED

CODE
 DWG NO.
7700-2 - 7700-7

Mouser Electronics

Authorized Distributor

Click to View Pricing, Inventory, Delivery & Lifecycle Information:

[Keystone Electronics:](#)

[7700-6](#)